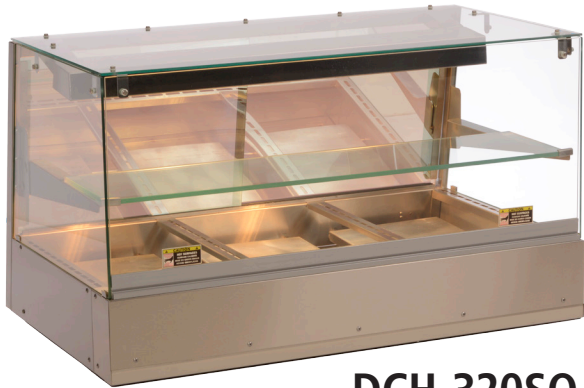


Heated Display Cabinet | DCH



DCH-320SQ
front view



DCH-320SQ
rear view

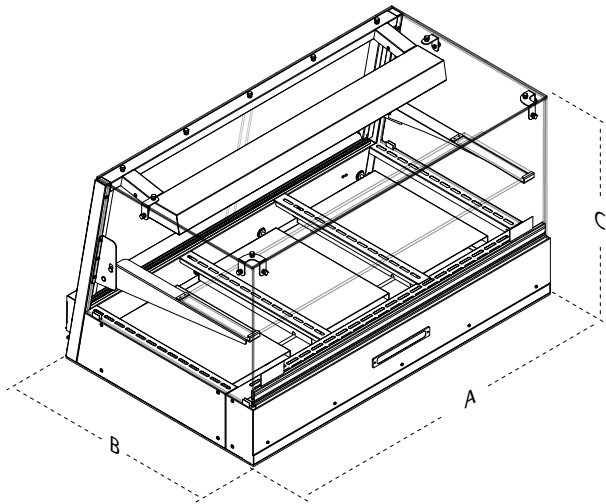
Showcase your baked goods in the best possible light with the new and redesigned DCH-320. The squared front edge and two tiers for product display allow operations to put more items in front of the customer. The glass front, top and side panels ensure customers will have a full view of the items inside. With sliding rear doors with glass panels, crew members have full visibility and easy access to products.

FEATURES

- Overhead halogen lights.
- Digital display thermostat and electronic controls.
- Angled rear panel with sliding glass doors on back provide crew members with visibility and easy access to products.
- Glass front, side, and top panels provide maximum product visibility.
- Two-tiered shelving for extra capacity.
- Stainless steel base for long life.

Heated Display Cabinet | DCH

Dimensions



Model & Mfg. No.	Width (A)	Depth (B)	Height (C)
DCH-320SQ 9500558	42" (1,068 mm)	27 1/2" (698 mm)	24 5/16" (618 mm)

Shipping Dimensions

Model & Mfg. No.	Height	Width	Depth	Weight
DCH-320SQ 9500558	27" (686 mm)	37" (940 mm)	49" (1,245 mm)	215 lbs.

*without skid

Electrical Ratings and Plug Configuration

Model & Mfg. No.	Volts	Watts	Hertz	Plug Description
DCH-320SQ 9500558	120	1800	50/60	NEMA 5-20P 20 Amp., 120 Volt

P/N 1020470 01/17