

Heated Display Cabinet | DCH



DCH-300



DCH-200

The Heated Display Cabinet from Antunes showcases products in the best possible light while keeping them hot, fresh, and ready to serve to customers.

Each of the Heated Display Cabinets features a modern look with a front panel made of curved, tempered glass. Glass side panels provide customers with full visibility to the products inside, while two sliding rear doors allow operators to easily add and remove products.

The rear control panel, with a digital display thermostat and electronic controls, allows operators to easily adjust the temperature of the cabinet to ensure products are kept warm and fresh for customers. Models are available with a low-temperature range for pastries and pretzels or a high-temperature range for protein-based products.

Constructed out of stainless steel, the Heated Display Cabinet features bright quartz lights mounted on the top of the unit to ensure product is attractively displayed.

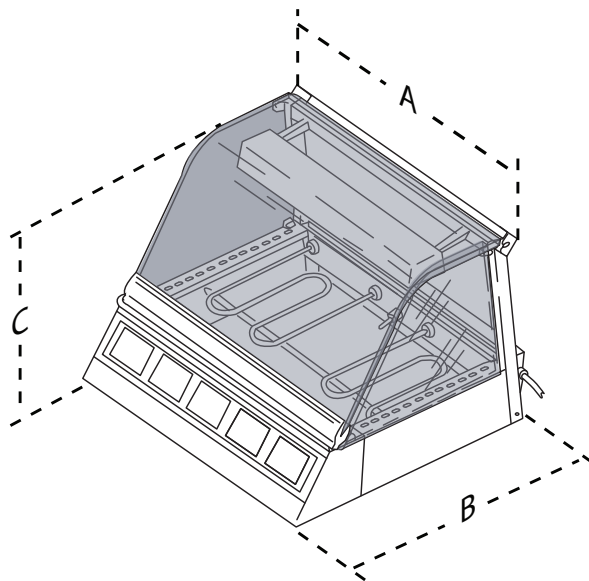
With a customizable menu board along the front panel, operations can quickly and easily make changes throughout the day.

FEATURES

- Bright, full-length lighting.
- Digital display thermostat and electronic controls.
- European design with curved, tempered glass.
- Glass side panels for full visibility.
- Sliding rear panels for easy access to add and remove products.
- Easy-to-change menu board.
- Stainless steel construction for long life.

Heated Display Cabinet | DCH

Dimensions



Model No.	Width (A)	Depth (B)	Height (C)
DCH-300	42 1/2"	31 1/4"	22"
DCH-320	(1080 mm)	(794 mm)	(559 mm)
DCH-200	30 1/4"	31 1/4"	22"
DCH-220	(768 mm)	(794 mm)	(559 mm)

Electrical Ratings and Plug Configuration

Model & Mfg. No.	Volts	Watts	Amps	Hertz	Plug Description
DCH-300 9500540	120	1800	15	50/60	NEMA 5-20P 20 Amp., 120 Volt
DCH-320 9500550	120	1800	15	50/60	NEMA 5-20P 20 Amp., 120 Volt
DCH-320 9500553	200- 240	2050	9.3-8.5	50/60	CEE 7/7 16 Amp., 250 Volt
DCH-200 9500520	120	1760	14.7	50/60	NEMA 5-20P 20 Amp., 120 Volt
DCH-220 9500530	120	1760	14.7	50/60	NEMA 5-20P 20 Amp., 120 Volt
DCH-220 9500533	200- 240	2050	9.3-8.5	50/60	CEE 7/7 16 Amp., 250 Volt
DCH-220 9500537	200- 240	2050	9.3-8.5	50/60	BS 1363 Fused 13 Amp., 250 Volt

Specifications

Model No.	Capacity	Temperature Ranges
DCH-200	Two full-size 2 1/2" pans	150°F to 165°F (66°C to 74°C)
DCH-220	Two full-size 2 1/2" pans	100°F to 165°F (38°C to 74°C)
DCH-300	Three full-size 2 1/2" pans	150°F to 165°F (66°C to 74°C)
DCH-320	Three full-size 2 1/2" pans	100°F to 165°F (38°C to 74°C)

Accessories

Units are not supplied with pans or transparencies. A wire rack is available to allow for two levels of display. The pan adaptor allows for a 4" deep steam table pan.

P/N 1020219 03/17