

Gold Standard Toaster | GST



GST-2V



The Gold Standard Toaster is the newest development from Antunes, the recognized leader in bun toasting in the foodservice industry. Featuring an innovative and unique toasting system, the GST-2V provides operations with quality, reliability, and consistency in their toasting platform in a compact footprint.

The GST-2V model utilizes dual-belt technology that cradles buns as they move along the heat source, eliminating defects such as sticking, slipping, and bun marking. The belts are continuously moving so operators can immediately load product as needed without any delay.

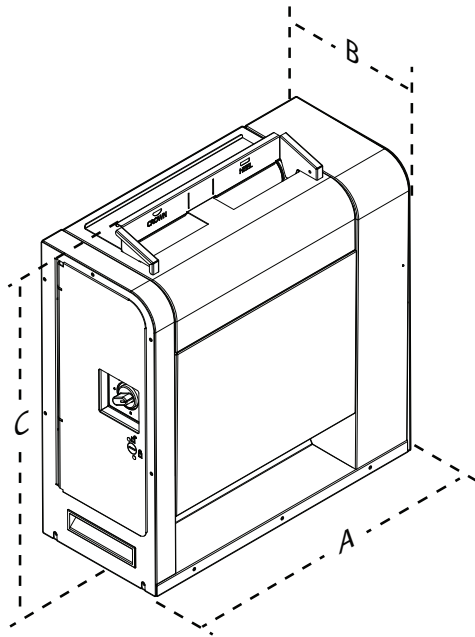
The energy-efficient design of the GST-2V keeps heat locked in the toasting chamber and keeps the outside surface cool to the touch.

FEATURES

- Compact, vertical design to easily integrate into kitchen layouts.
- Energy-efficient design reduces heat loss and prevents outside surface of toaster from becoming hot.
- Continuously moving belts allow immediate feeding of buns without sticking.
- Easy-to-operate control panel for quick adjustments to toast quality.
- Programmable controls allow users to make adjustments to Platen Heater Temperature and Motor Speed.

Gold Standard Toaster | GST

Dimensions



Electrical Ratings and Plug Configuration

Model & Mfg. No.	Volts	Watts	Hertz	Plug Description
GST-2V 9210999	208	2000	50/60	NEMA 6-20P 20 Amp., 250 Volt Right Angle
GST-2V 9210982	220-240	2000	50/60	16 Amp. IEC-309 Pin & Sleeve

Model & Mfg. No.	Width (A)	Depth (B)	Height (C)
GST-2V 9210999 9210982	20" (508 mm)	9" (227 mm)	21 5/8" (549 mm)

P/N 1020483 12/17