



## /// Build a bigger, more complete menu with just a single piece of equipment—the Rapid Steamer by Antunes.

This unit converts plain tap water into dry steam so foods keep their original textures, colors, flavors, and nutrients. The end result: food that looks fresher and tastes better, from vegetables and seafood to pasta, proteins, and more.

The Rapid Steamer's consistent steaming process removes the guesswork and produces a uniform finish from one operator to the next. Intelligent programming automatically adjusts steam introduced to the chamber for ideal steaming in every cycle.

The Rapid Steamer features a touchscreen interface for quickly preparing items. With an instant steaming button as well as preprogrammed favorites, this easy to use unit can handle a variety of different menu items without causing any delays in service. The included USB connection allows operations to easily load new recipes to handle new and expanding menus.



RS-1000

### FEATURES:

- /// Intelligent programming automatically optimizes steaming performance, needing only cook time to be set.
- /// Touchscreen interface allows for quickly preparing a variety of menu items as well as programming new recipes.
- /// Two 20-ounce compartments allow operators to prepare individual portions of made-to-order menu items at the same time.
- /// USB connection to easily upload recipes for new menu items.
- /// Instantly turns plain tap water into dry steam.
- /// Prepare a variety of different menu items with a consistent finish each and every time.
- /// Stainless steel construction.
- /// Solid state controls.
- /// Includes direct water hook-up kit (required).



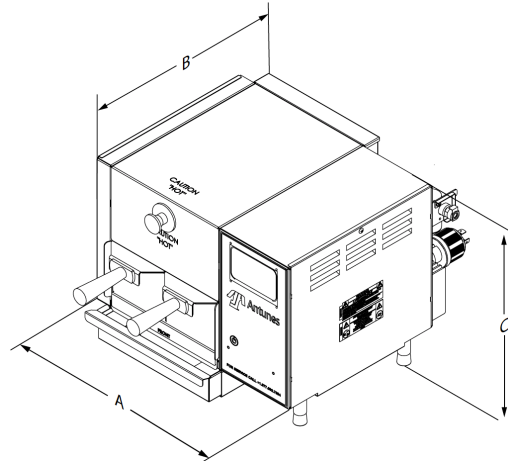
## /// Rapid Steamer | RS-1000

### Dimensions

Mfg. No.	Width (A)	Depth (B)	Height (C)
9100650	17.39" (441.7 mm)	16.86" (428.2 mm)	12.79" (324.9 mm)
9100651	17.39" (441.7 mm)	16.86" (428.2 mm)	12.79" (324.9 mm)

### Electrical Ratings

Mfg. No.	Volts	Watts	Amps	Hertz	Description
9100650	208	5000	24	50/60	NEMA L6-30P
9100651	200-240	5000	30	50/60	IEC-309



Antunes delivers a complete range of countertop cooking equipment and water filtration solutions to foodservice operations around the world. Learn more about Antunes and its products at [antunes.com](http://antunes.com).

**Corporate Headquarters**  
Carol Stream, IL, USA  
Phone: +1.630.784.1000  
Toll Free: +1.800.253.2991

**China Facility**  
Suzhou, China  
Phone: +84.512.6841.3637  
Fax: +86.512.6841.3907

**India Facility**  
Chennai, India  
Phone: +91.44.25532212  
Fax: +91.44.25532415