

Radiant Toaster | RT



RT-2

Serve perfectly toasted muffins and bagels for breakfast menu items with the RT-2 Radiant Toaster from Antunes. This unit is the smallest of our radiant toasters and features two toasting lanes for a high toasting capacity without wasting any valuable counterspace.

The front load and front return of the RT-2 allows operators to work quickly and efficiently without wasting any time or energy reaching for product. With an integrated holding zone, operators can keep up with demand even during peak hours.

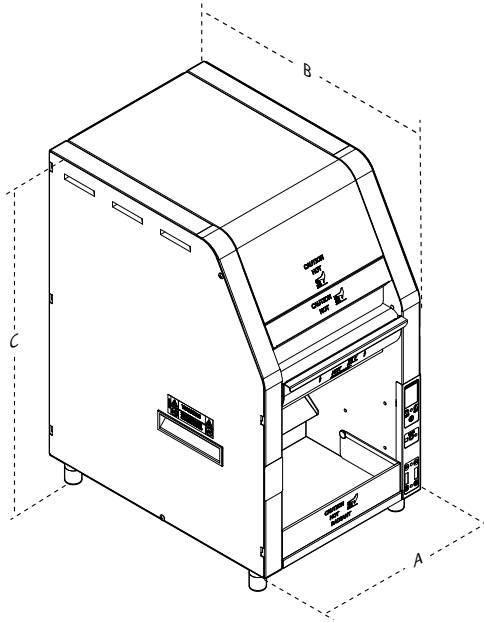
The RT-2 also features a technologically advanced smart controller that senses product and automatically adjusts the toast time based on volume and operator settings. This ensures the bagels and muffins always have a consistent, high-quality toast, even during barrel runs.

FEATURES

- Smart controller senses product and automatically adjusts toast time.
- Consistent toast quality for bagels and muffins even during barrel runs.
- Digital controller allows users to easily adjust toast quality.
- Integrated holding zone.
- Easy to clean.
- Front load and front return.
- Small footprint.

Radiant Toaster | RT

Dimensions



Model & Mfg. No.	Width (A)	Depth (B)	Height (C)
RT-2 9210908	13" (330 mm)	19" (481 mm)	23 1/2" (597 mm)

Electrical Ratings and Plug Configuration

Model & Mfg. No.	Volts	Phase	Watts	Amps	Hertz	Plug Description
RT-2 9210908	208	1	5000	24	50/60	NEMA L6-30P 250 Volt, 30 Amp. Twist Lock

Specifications

Temperature Control: Solid State with Display

Power Cord: Six-foot grounded power cord supplied

P/N 1020460 12/16