

## TOASTER DIVIDER KIT (P/N 7001183)

**TOOLS:** NONE

**AFFECTED PRODUCTS:**

Designed for HRT-5H and HCT-5H Units

**PARTS INCLUDED:**

- 1 - Toaster Divider (P/N 0013333)
- 1 - Instruction Sheet (P/N 1011384)

### Instructions

The Toaster Divider Kit is intended for restaurants using two HRT-5H Toasters and one HCT-5H toaster. The divider is intended to be placed between the two HRT-5H toasters to provide space for proper ventilation. Refer to Figures 1 and 2 for reference.

**NOTE:** Do **NOT** stack HRT-5H Toasters on top of each other. The Toaster Divider **MUST** be placed between the two HRT-5H Toasters.

1. Turn the toasters off and allow them to cool enough to handle. Otherwise, use heat-resistant gloves when handling hot toasters.
2. Determine the location for the toasters.
3. With assistance, place the HCT-5H toaster in the desired location. This toaster will be at the bottom of the stack.
4. Next, place the first HRT-5H Toaster on top of the HCT-5H Toaster (Figures 1 and 2).
5. Place the Toaster Divider on top of the first HRT-5H toaster.
6. Then, place the second HRT-5H toaster on top of the Toaster Divider.
7. Return the toasters to service.

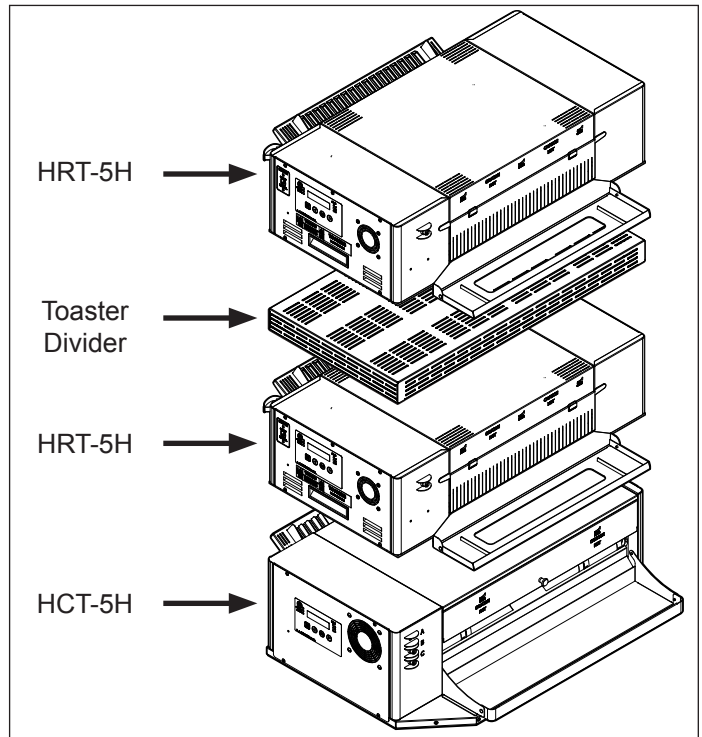


Figure 1. Stacking Order

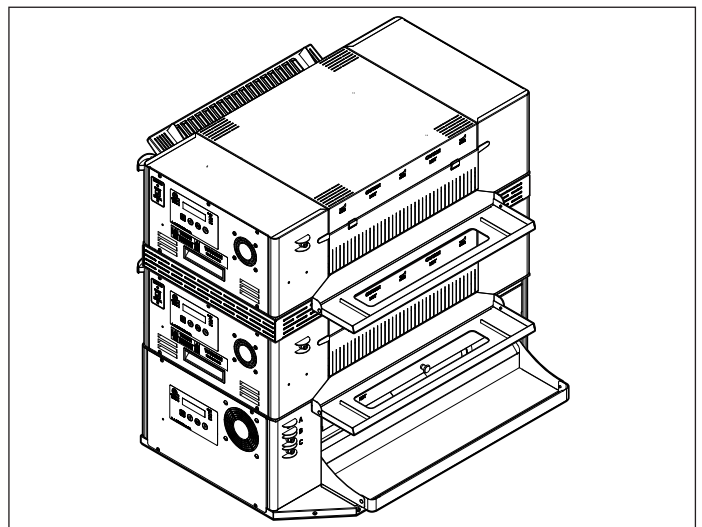


Figure 1. Stacked Toasters