

Replacement Parts and Exploded Views

This document is a companion to all
UTX-200 Owner's Manuals:

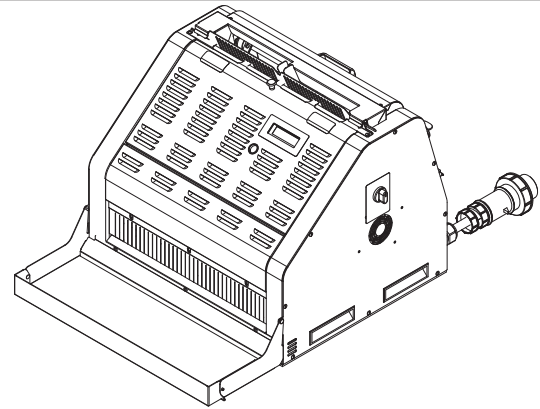


TABLE OF CONTENTS

Replacement Parts	2	Electrical Compartment Components View B	11
Parts and Kits for the UTX-200		Left Side Access Panel Assembly	12
Universal Toaster Only	2	Right Side Access Panel Assembly.....	12
Parts and Kits for the UTX-200		Horizontal Conveyor Mechanical Assembly	13
Universal Toaster and CTX-200 Club Toaster.....	2	Horizontal Conveyor -	
UTX-200 Main Accessories	3	Rear Shaft Mechanical Assembly.....	14
Main Assembly - View A.....	4	Horizontal Conveyor -	
Main Assembly - View B.....	5	Front Shaft Mechanical Assembly.....	15
Main Assembly - View C.....	6	Horizontal Conveyor -	
Electrical Compartment Components - View A	7	Front Shaft Mechanical Assembly	16
Electrical/Mechanical Components View		Horizontal Conveyor -	
(Right Side).....	8	Rear Shaft Mechanical Assembly.....	17
Electrical/Mechanical Components View		Wiring Diagram.....	18
(Left Side) & Underside Assy. (inset)	9	NOTES	19
Vertical Conveyor Door Assembly	10		

LIMITED WARRANTY

The Antunes Food Service Equipment Division of A.J. Antunes & Co. provides the following limited warranty to the original purchaser of all McDonald's Equipment. All components are warranted against Manufacturer's defects in the material and workmanship for a period of two (2) years from date of original installation not to exceed 30 months from the date of shipment from our factory.

If any part becomes defective during the period of this Warranty, Antunes Food Service will pay negotiated straight time labor costs to an Authorized Service Agent to replace the part, plus travel expenses up to 100 miles/160 km, 2 hours round trip.

WARRANTY EXCLUSIONS

- The cost of Installation.
- Equipment that has been damaged due to shipment. Purchaser should make damage claim directly upon carrier.
- Alteration, misuse, abuse.
- Improper storage or handling.
- Improper maintenance.
- Failure to follow proper Installation instructions, including electrical connection.
- Improper or unauthorized repairs.

- Scheduled Maintenance procedures as outlined in your MRC Card.
- This Warranty does not cover Consumable items.
- Water pressure problems or contamination problems such as foreign material in water lines or inside solenoid valves due to an incoming water source.
- Overtime or Holiday charges.
- Mileage over 100 miles/160 km round-trip, or travel time over two (2) hours.
- Freight, foreign, excise, municipal or other sales or use taxes.
- Consequential damages such as loss of profit, loss of time, the cost of repairing or replacing other property which is damaged, or any other incidental damage of any kind.

Antunes Food Service reserves the right to make changes in design or add improvements on any products. The right is always reserved to modify Equipment because of factors beyond our control and government regulation. Changes to Equipment do not constitute a warranty charge.

This warranty is exclusive and is in lieu of all other warranties, expressed or implied, including any implied warranty of merchantability or fitness for a particular purpose, each of which is expressly disclaimed. The remedies described above are exclusive, and in no event shall A.J. Antunes & Co. or any of its Divisions be liable for special consequential or incidental damages for the breach or delay in the performance of this warranty.

This manual is for the exclusive use of licensees and employees of McDonald's Systems, Inc..

© McDonald's Corporation All Rights Reserved

UTX-200 REPLACEMENT PARTS

Parts and Kits for the UTX-200 Universal Toaster Only

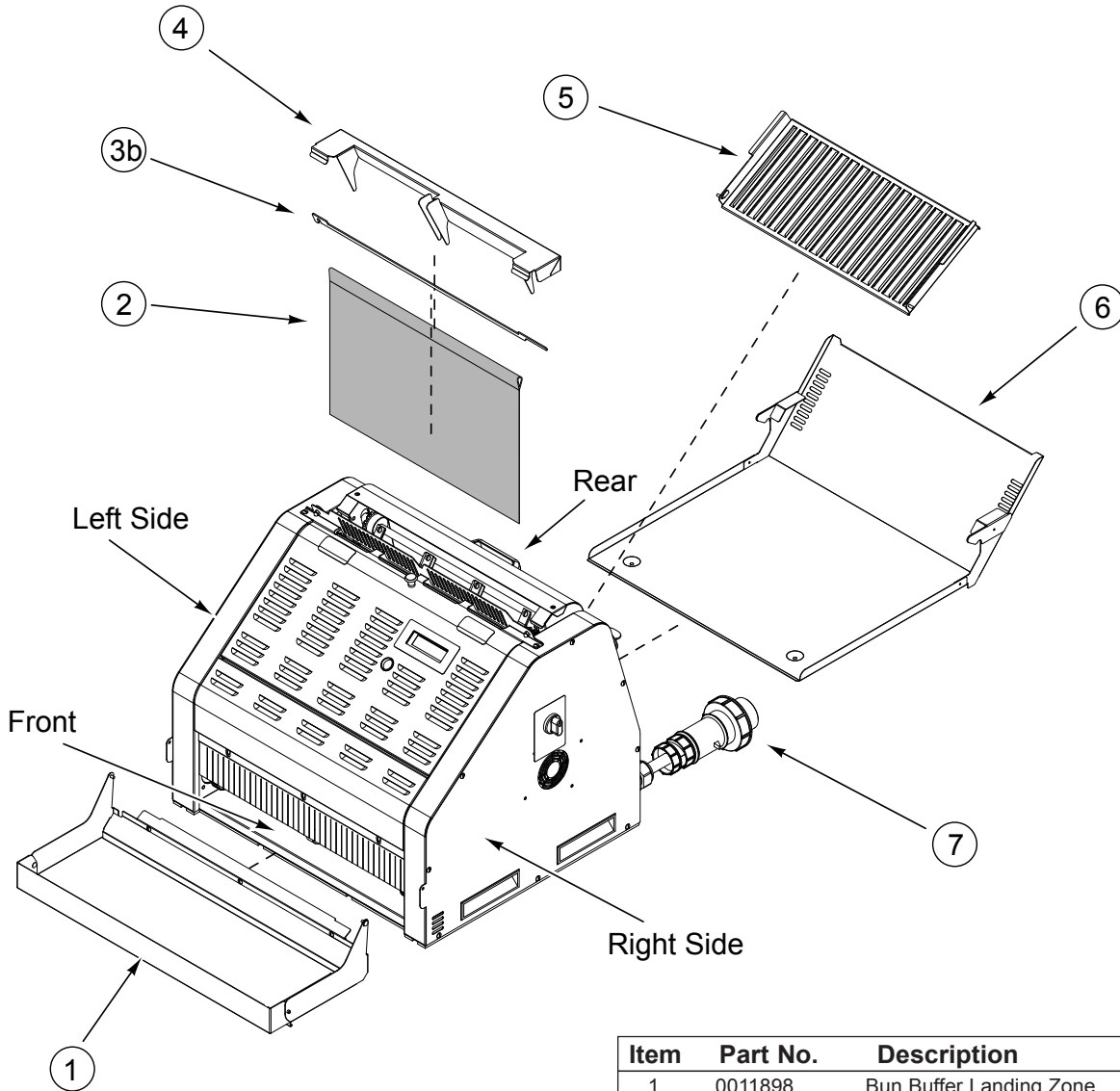
Description	Part Number	Used In:
Communication Cable 22"	00203-0100	UTX-200
Tension Spring (Lower Rear Shaft)	0600141	UTX-200
Curtain	0900259	UTX-200
White Slide Rails	2100286	UTX-200
Drive Sprocket (Vertical Conveyor 3/8" - 48 Tooth)	2150246	UTX-200
Drive Sprocket (Horizontal Conveyor) 5/16" Bore - 10 Tooth	2150267	UTX-200
Drive Chain - 114 Links	2150269	UTX-200
Double Sprocket (Motor) 3/8" Bore, 48/22 Tooth	2150270	UTX-200
Transformer 220 VAC	4010217	UTX-200
Contactors 3-Pole	4050235	UTX-200
Current Sensing Board	7000715	UTX-200
Muffin/Bagel LED Board	4070088	UTX-200
Thermocouple Type "K" Kit	7000348	UTX-200
Fan Kit 12 VDC	7000494	UTX-200
Sheet Kit (10 pack)	7000495	UTX-200
Sheet Kit (3 pack)	7000496	UTX-200
Blower Kit 220 VAC	7000497	UTX-200
Vertical Conveyor Kit	7000498	UTX-200
Ball Bearing Kit	7000706	UTX-200
Platen Kit 220 VAC	7000501	UTX-200
Power Supply Board Kit	7000502	UTX-200
Rear Shaft Tensioner Kit	7000503	UTX-200
Tensioner Kit (Horizontal Conveyor)	7000505	UTX-200
Tensioner Kit (Vertical Drive Chain)	7000506	UTX-200
Horizontal Conveyor Kit	7000508	UTX-200
Infrared Heater Kit (3 Pack)	7000518	UTX-200
Bearing Retainer Kit	7000538	UTX-200
Solid State Relay Kit w/ Harness	7000679	UTX-200
Power Switch Kit	7000680	UTX-200
Drive Sprocket Upgrade Kit	7000683	UTX-200
Base Kit	7000698	UTX-200

Parts and Kits for the UTX-200 Universal Toaster and CTX-200 Club Toaster

Description	Part Number	Used In:
Tension Spring (Drive Chain Tensioner)	0600143	UTX-200 & CTX-200
Run Capacitor (Drive Motor)	4010221	UTX-200 & CTX-200
Hi-Limit Thermostat	4030352	UTX-200 & CTX-200
Thermocouple (Platen) Type "K"	4050234	UTX-200 & CTX-200
Solid State Relay	4050237	UTX-200 & CTX-200
Drive Motor Kit - 220 VAC	7000500	UTX-200 & CTX-200
Display Control Board Kit	7000555	UTX-200 & CTX-200
I/O Control Board Kit	7000509	UTX-200 & CTX-200
Varistor Kit	7000700	UTX-200 & CTX-200

REPLACEMENT PARTS

UTX-200 Main Accessories



Item	Part No.	Description	Qty.
1	0011898	Bun Buffer Landing Zone	1
2	7000496	Release Sheet, Platen (3 Pack)	1
3a*	7000495	Release Sheet, Platen (10 Pack)	1
3b	0504310	Bar, Holding	1
4	0021500	Bun Feeder Weldment	1
5	0504371	Breakfast Chute	1
	0506405	Breakfast Chute (Mfg. No. 9210805 & 9210806)	1
6	0021497	Crumb Tray Weldment (Mfg. No. 9210811 & 9210812)	1
7	0700698	Power Cord Assy., 3 Ph 250V, 30A	1
	0700711	Pin and sleeve Power Cord Assy, 3 Ph, Twist Lock L15-30P	1

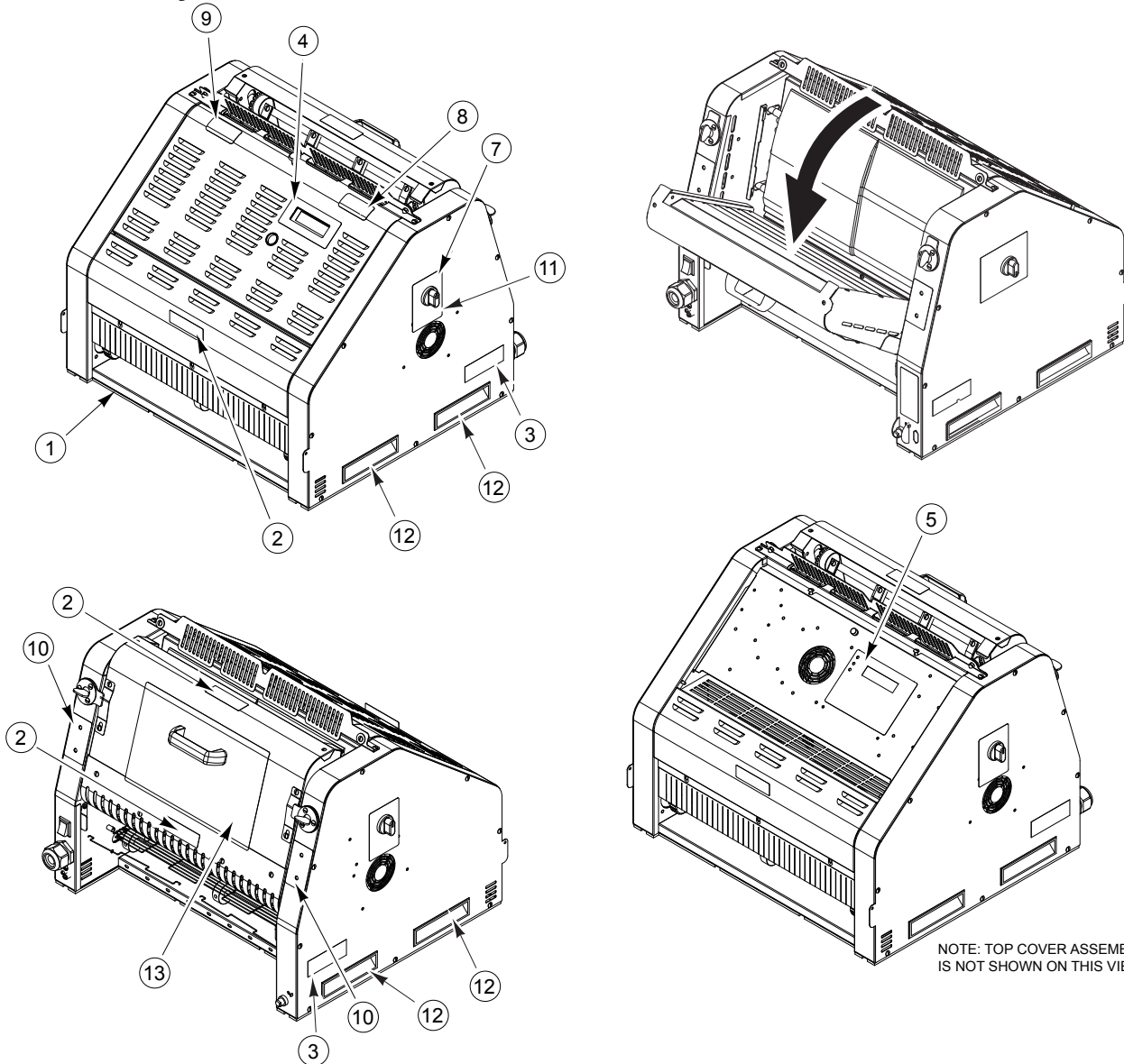
* Not Shown

REPLACEMENT PARTS (continued)

⚠ CAUTION ⚠

To avoid possible personal injury and/or damage to the unit, all inspections, tests, and repair of electrical equipment should be performed by **QUALIFIED SERVICE PERSONNEL**. The unit **MUST** be shut down and UNPLUGGED before servicing, except when electrical tests are required. Use extreme care during electrical circuit tests. Live circuits will be exposed.

Main Assembly - View A



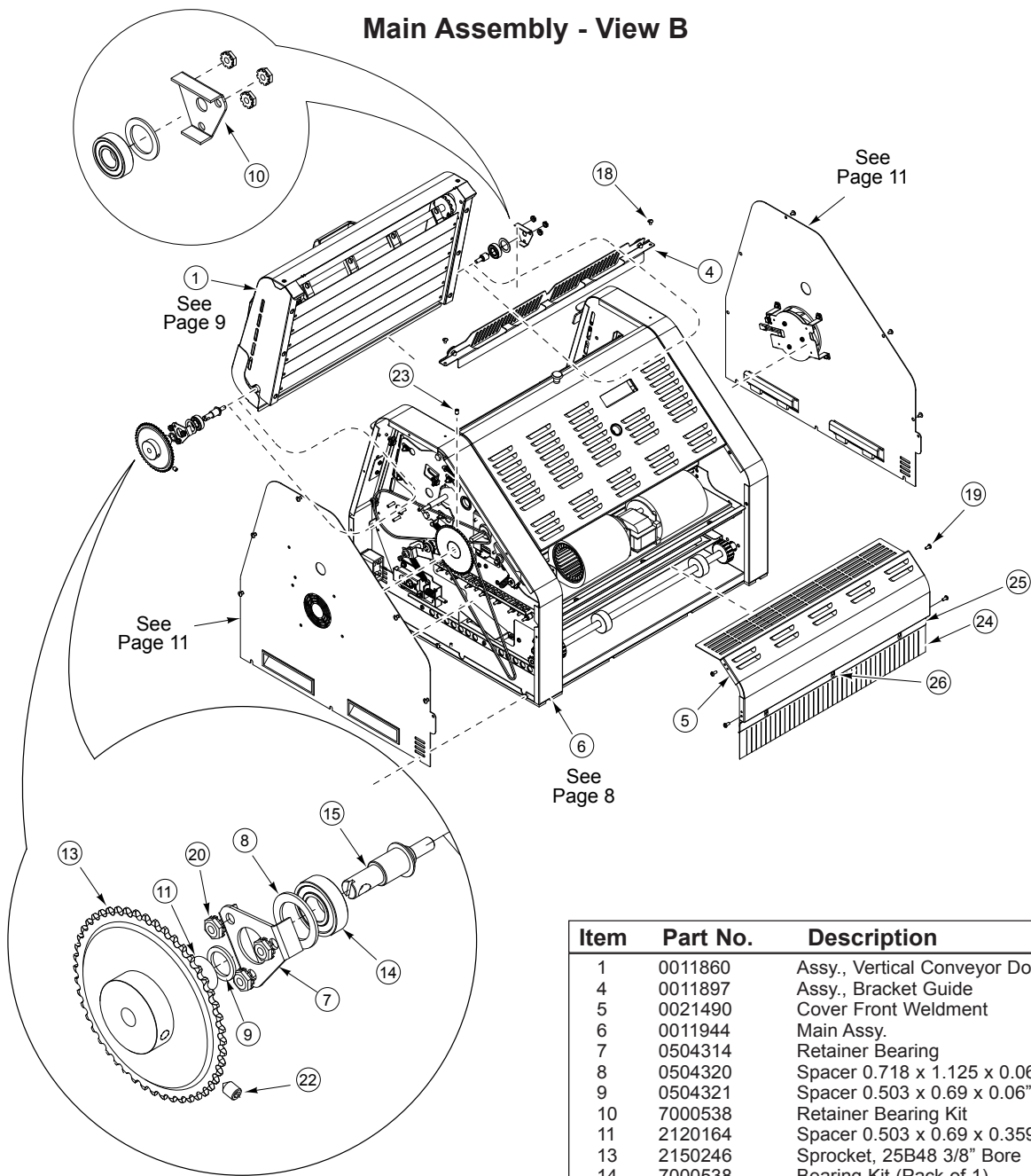
NOTE: TOP COVER ASSEMBLY IS NOT SHOWN ON THIS VIEW

Item	Part No.	Description	Qty.
1	0011945	Main Assembly	1
2	1000864	Label, Caution, Hot	3
3	1000900	Label, Warning	2
4	1001176	Label, Control	1
5	1001177	Label, Control	1
6	1001178	Label, Compression LH	1
7	1001179	Label, Compression, RH	1

Item	Part No.	Description	Qty.
8	1001180	Label, Heel	1
9	1001181	Label, Crown	1
10	1001182	Label, Muffin Bagel	2
11	2100253	Knob, 1/4" Shaft, Push-On	2
12	2100212	Handle, Snap-in	4
13	1001183	Cleaning Label	1

REPLACEMENT PARTS (continued)

Main Assembly - View B

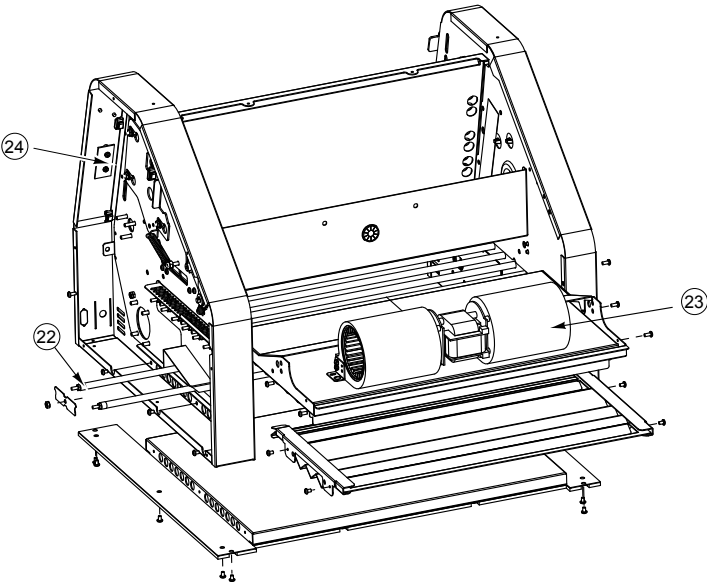
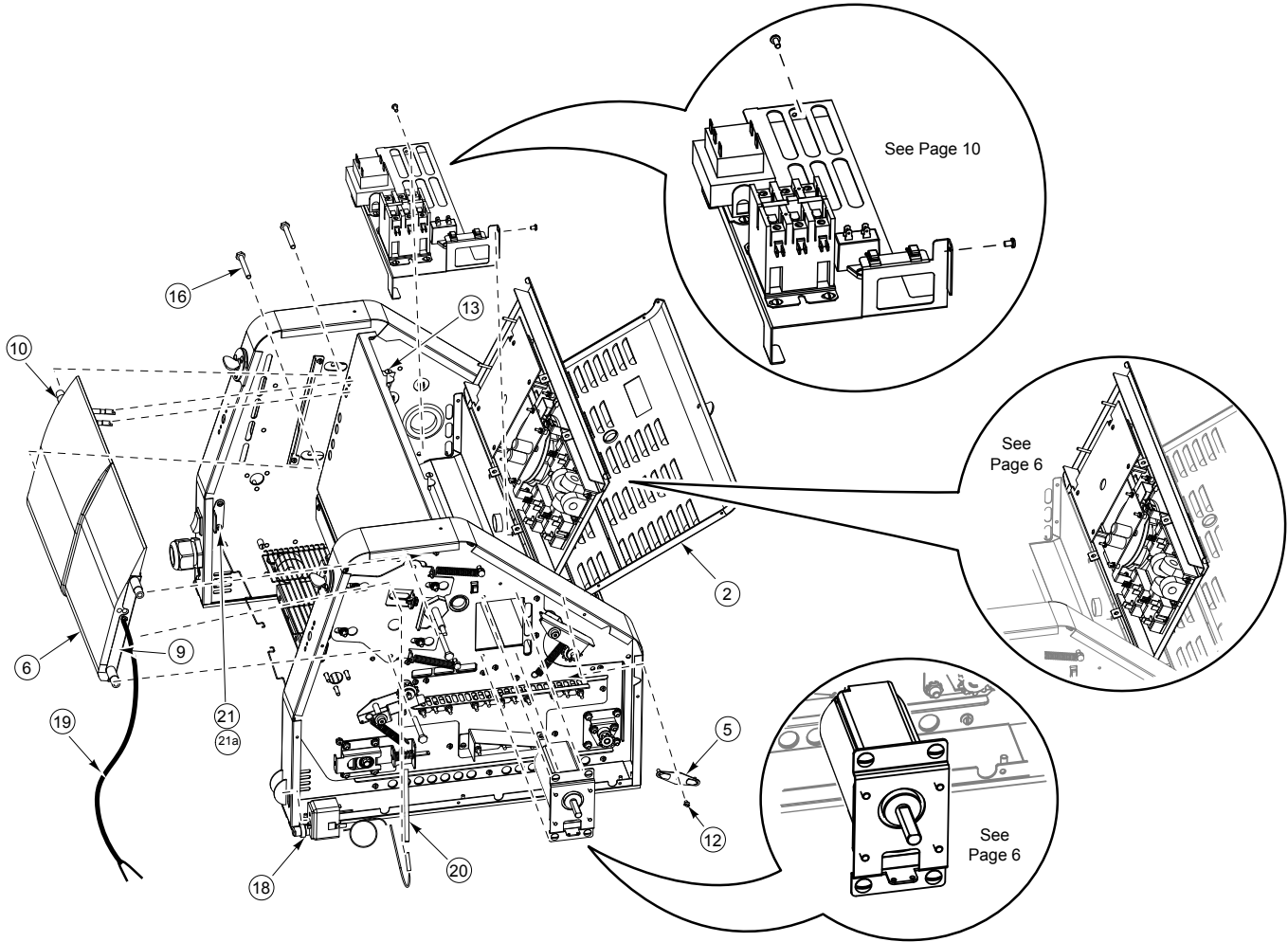


Item	Part No.	Description	Qty.
1	0011860	Assy., Vertical Conveyor Door	1
4	0011897	Assy., Bracket Guide	1
5	0021490	Cover Front Weldment	1
6	0011944	Main Assy.	1
7	0504314	Retainer Bearing	1
8	0504320	Spacer 0.718 x 1.125 x 0.06"	2
9	0504321	Spacer 0.503 x 0.69 x 0.06"	1
10	7000538	Retainer Bearing Kit	1
11	2120164	Spacer 0.503 x 0.69 x 0.359	1
13	2150246	Sprocket, 25B48 3/8" Bore	1
14	7000538	Bearing Kit (Pack of 1)	1
15	2150268	Shaft, Extension	1
18	3080103	Screw, Mach #8-32 x 1/4	18
19	3080115	Screw, Mach #8-32 x 3/8	4
20	3100146	Nut, Hex "Keps" #10-32	6
22	3250175	Screw Set, 1/4-28 x 3/8	1
		Hex Socket - Cone Point	
23	3250178	Screw Set, 1/4-28 x 3/8	1
		Hex Socket - Flat Point	
24	0900259	Curtain	1
25	0504384	Retainer, Curtain	1
26	3080144	Screw, Mach #8-32 x 1/4 w/6 head	3
27	7000497	Main Blower Kit 230V	1

* Not Shown

REPLACEMENT PARTS (continued)

Main Assembly - View C

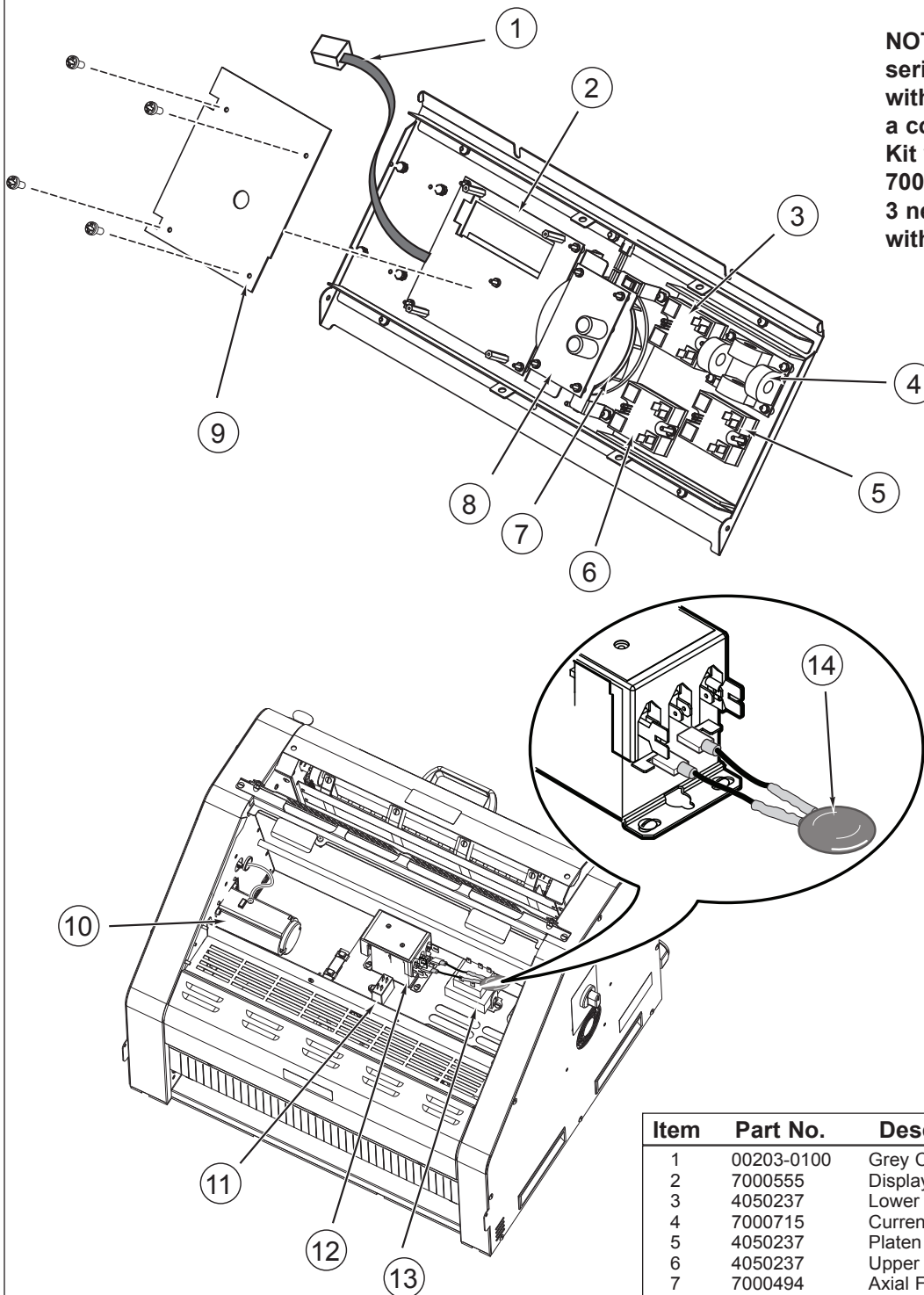


Item	Part No.	Description	Qty.
2	0011896	Assy., Cover, Top	1
5	0021504	Hinge, Weldment	2
6	7000501	Platen, Grill	1
7*	0400362	Insulation, Platen	1
9	0504452	Retainer, Insulation, Grill	1
10	2120163	Spacer 0.257 x 1/2 x 1.465	4
12	3080133	Screw, Mach. #8-32 x 1/4	4
13	3080164	Screw, Machine #8-32 x 1"	2
16	3250161	Screw, HX HD. 1/4-20 x 2"	4
18	4030352	Thermostat, Hi-Limit 700° F (371° C)	1
19	4050234	Thermocouple Type "K" (open end)	1
20	4060259	Sleeve - Electrical 0.208 ID x 4" LG	1
21	0504516#	Support Bracket, Right Side	1
21a	0504517#	Support Bracket, Left Side	1
22	7000518	IR Heating Element 800w/120V (3 pack)	3
23	7000497	Main Blower Kit 230V	1
24	4070088	Muffin/Bagel LED Board	2

* Not Shown.
Determined by viewing the front of the unit.

REPLACEMENT PARTS (continued)

Electrical Compartment Components - View A

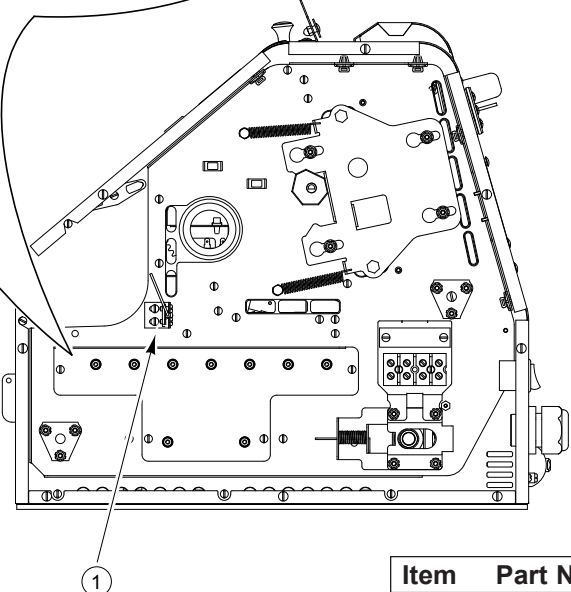
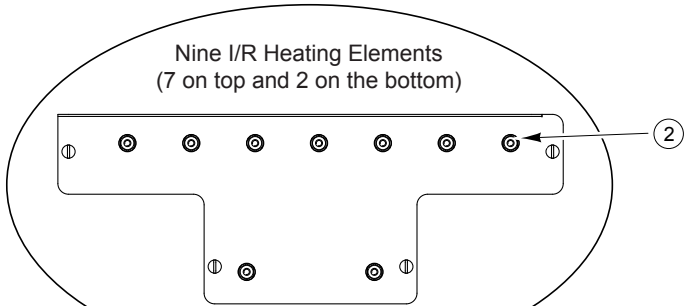
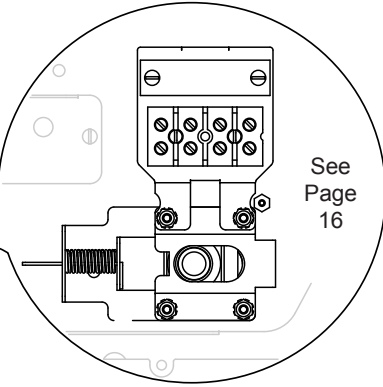
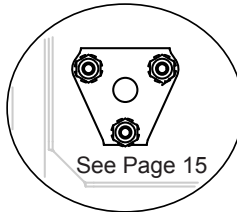
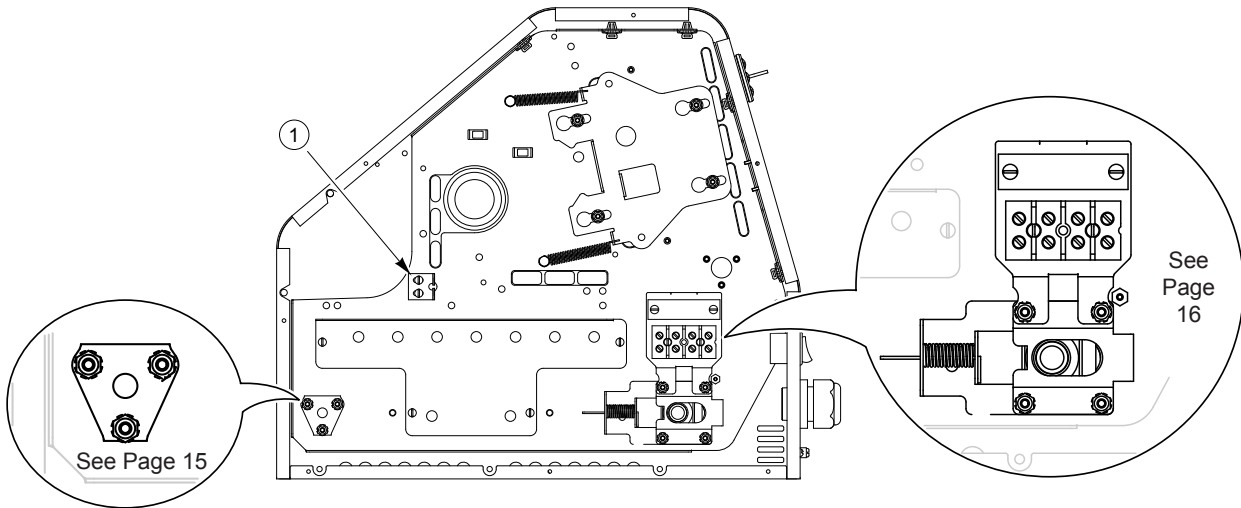


NOTE: UTX-200 units with serial numbers beginning with 0604-0612 may require a complete Solid State Relay Kit with Wire Harness P/N 7000679 which consists of 3 new latching style Relays with latching Wire Harness.

Item	Part No.	Description	Qty.
1	00203-0100	Grey Communications Cable	1
2	7000555	Display Board Kit	1
3	4050237	Lower IR Solid State Relay	1
4	7000715	Current Sense Board Kit	1
5	4050237	Platen Solid State Relay	1
6	4050237	Upper IR Solid State Relay	1
7	7000494	Axial Fan 12 VDC Kit	1
8	7000502	Power Supply Board	1
9	7000509	Input Output Board Kit	1
10	7000500	Drive Motor Kit 208-240 V	1
11	4010221	Run Capacitor	1
12	4050235	Contact, 3 Pole	1
13	4010217	Transformer 208-240v/24v	1
14	7000700	Varistor Kit	1

REPLACEMENT PARTS (continued)

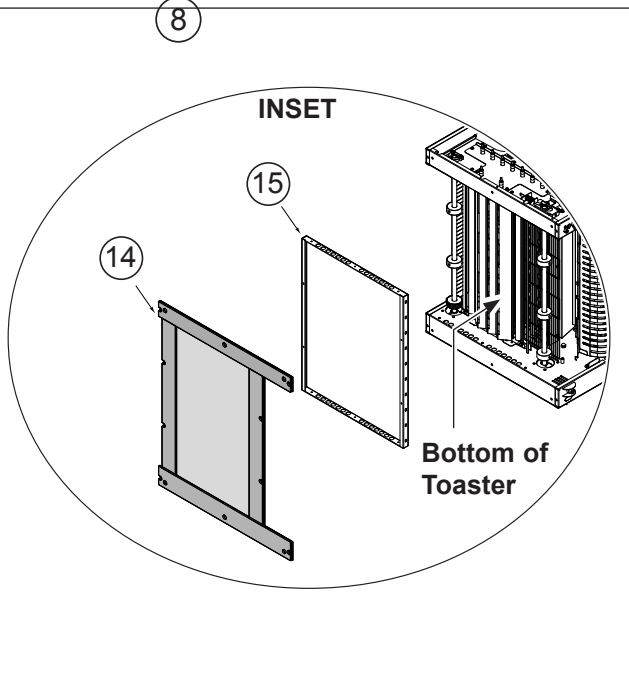
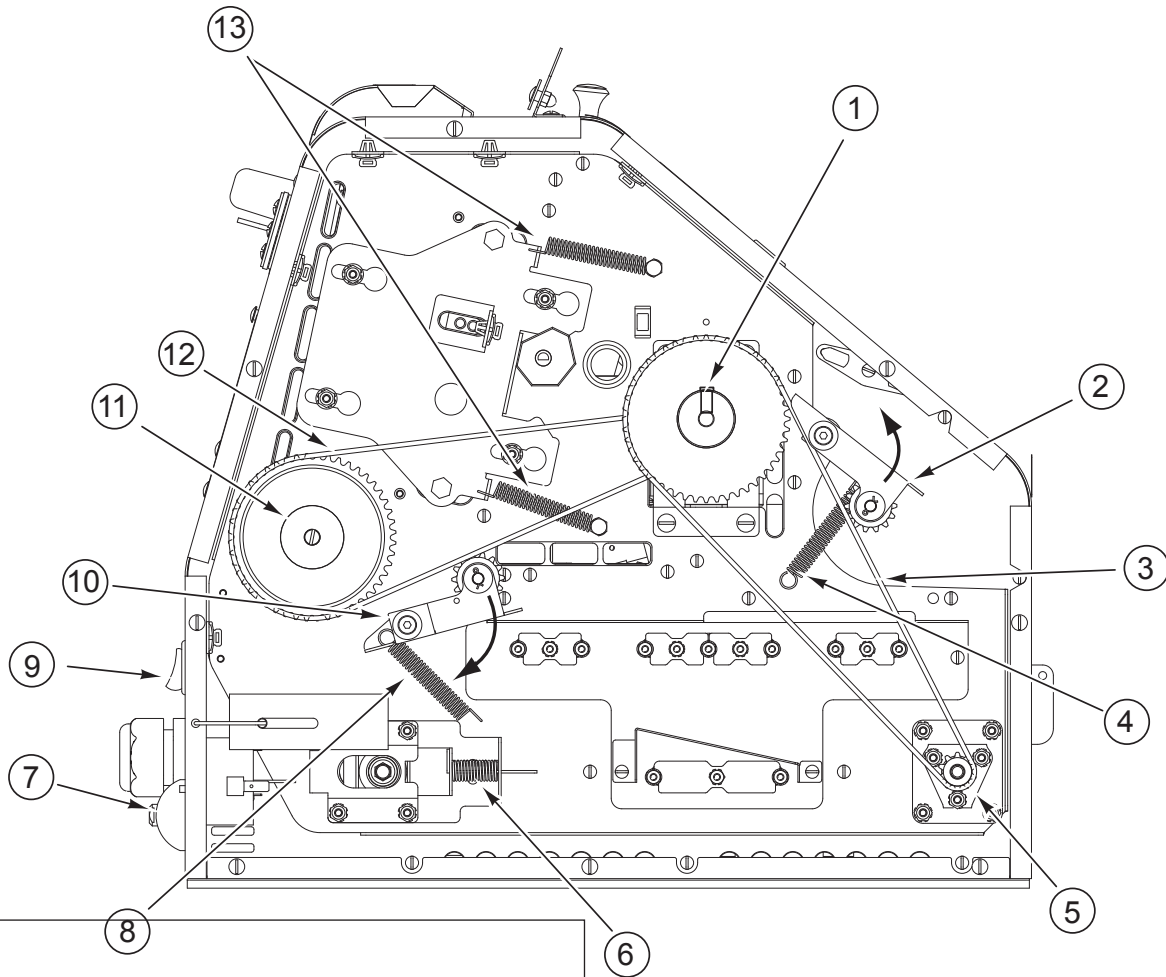
Electrical/Mechanical Components View (Right Side)



Item	Part No.	Description	Qty.
1	7000348	Main Blower Thermocouple	1
2	7000518	I/R Heating Element 3 Pack	1

REPLACEMENT PARTS (continued)

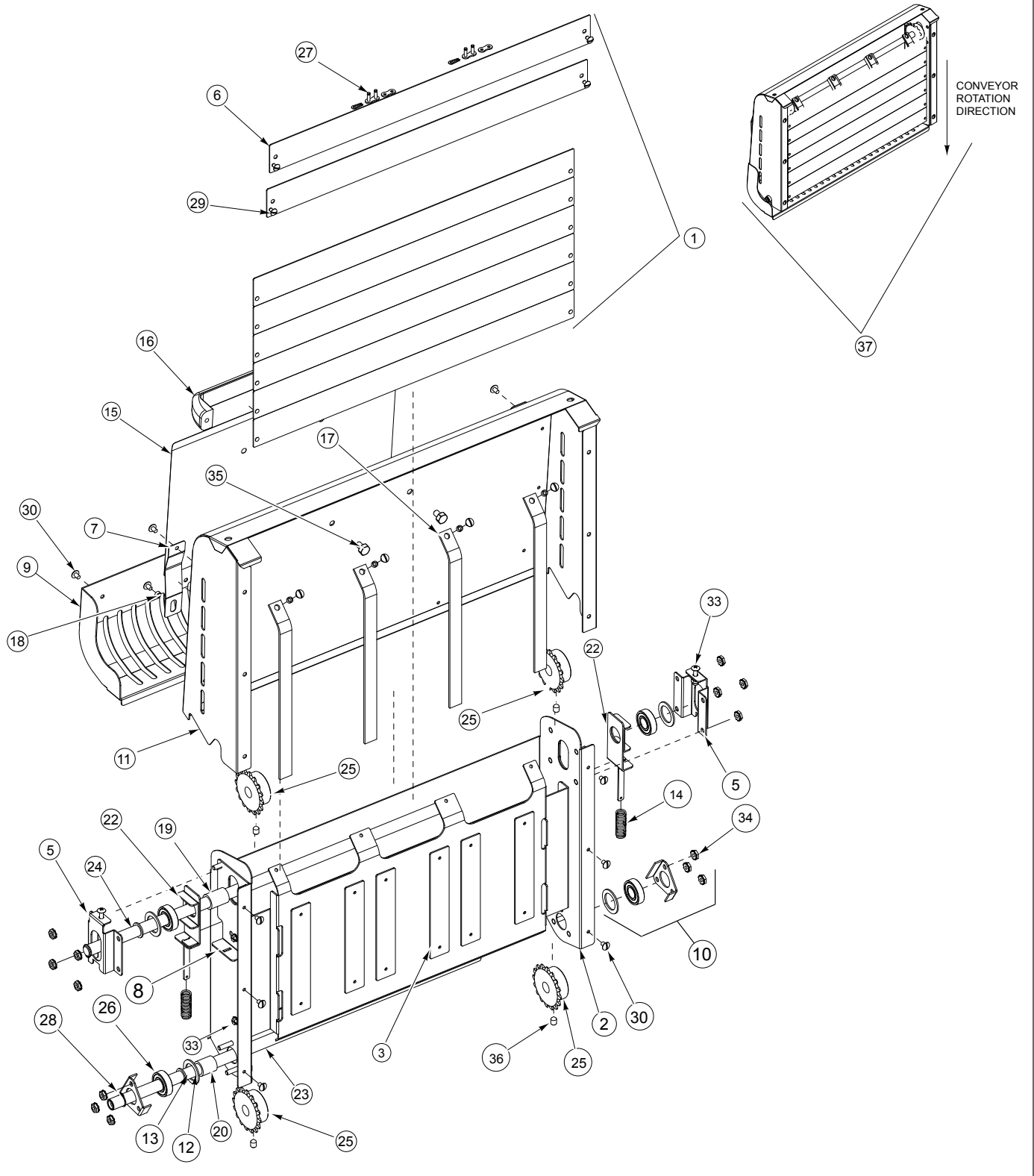
Electrical/Mechanical Components View (Left Side) & Underside Assy. (inset)



Item	Part No.	Description	Qty.
1	2150270	48/22 Tooth Drive Motor Sprocket	1
2	7000505	Front Tensioner Kit	1
3	2150269	Horizontal Conveyor Drive Chain	1
4	0600143	Front Tensioner Spring	1
5	2150267	10 Tooth Drive Sprocket (Horizontal Conveyor)	1
6	0600141	Spring (Horizontal Conveyor)	1
7	4030352	Hi-Limit Thermostat	1
8	0600143	Rear Tensioner Spring	1
9	7000680	Power Switch	1
10	7000506	Rear Tensioner Kit	1
11	2150246	48 Tooth Drive Sprocket (Vertical Conveyor)	1
12	2150269	Vertical Conveyor Drive Chain	1
13	0600143	Spring, Platen	1
14	0011926	Base Plate (with Gaskets)	1
15	7000698	Base Kit	1

REPLACEMENT PARTS (continued)

Vertical Conveyor Door Assembly

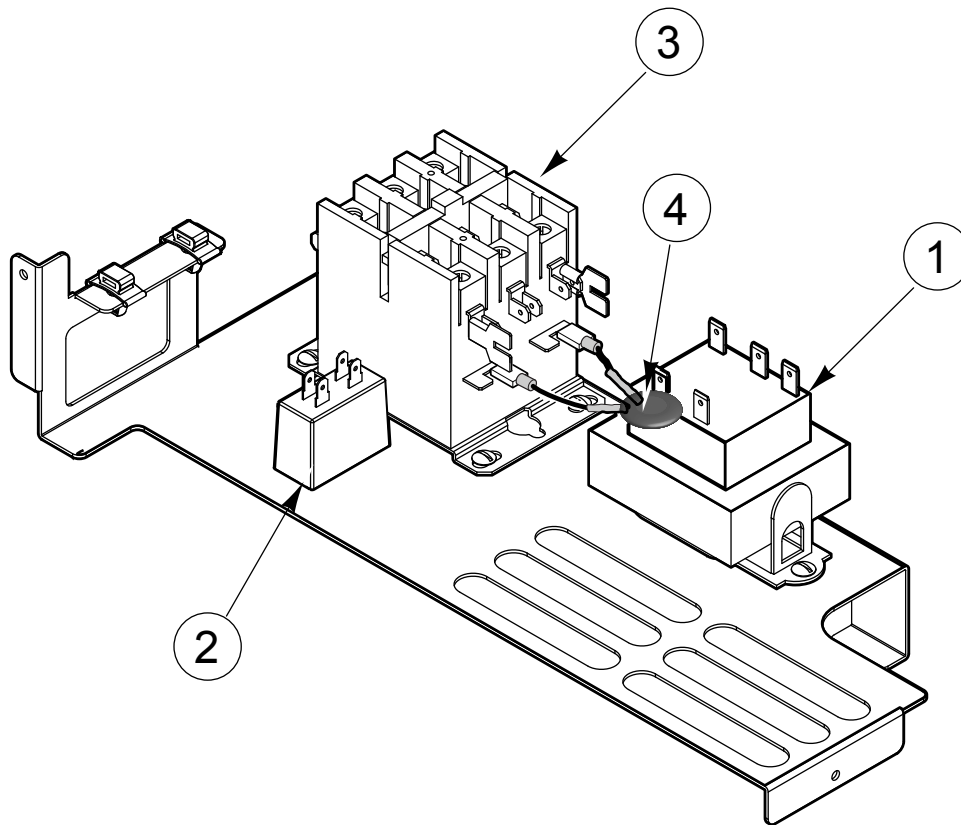


REPLACEMENT PARTS (continued)

Item	Part No.	Description	Qty.
1	7000498	Vertical Belt Conveyor Kit	1
2	0021480	Liner, Conveyor Weldment	1
3	0021481	Bridge Weldment	1
4	0021482	Bearing Bracket/Clip Weldment	2
5	0021483	Tensioner Bracket Weldment	2
6	0504300	Master Slat	2
7	0504301	Spring	2
8	0504304	Plate, Spacer	2
9	0504306	Bun Chute	1
10	7000538	Retainer, Bearing Kit	1
11	0504315	Cover, Conveyor	1
12	0504320	Spacer 0.781 x 1.125 x 0.06"	4
13	0504321	Spacer 0.503 x 0.69 x 0.06"	2
14	0600140	Spring, Compression	2
15	1001183	Label, Cleaning	1
16	2100257	Handle, Grip	1
17	2100286	Slide Rail	4
18	2120148	Spacer	6
19	2120172	Spacer 0.503 x 0.69 x 0.922	1
20	2120173	Spacer 0.503 x 0.69 x 0.742	1

Item	Part No.	Description	Qty.
23	2150220	Shaft, Drive	1
24	2150221	Shaft, Idler	1
25	2150247	Sprocket 35B16 1/2" Bore	4
26	7000538	Bearing Kit	1
27	2150249	Lambda Connecting Link, 0.375 Pitch 2	
28	3000123	Ring, Retaining, External	2
29	306P104	Screw, Mach #6-32 x 1/4"	4
30	3080103	Screw, Mach #8-32 x 1/4" Sltrshd	18
31*	3080145	Nut, Hex Acorn #8-32 "LC"	2
32	3080183	Screw, MACH #8-32 x 3/8" Hex hd Slotted; SEMS; S/S	4
33	3080194	Screw #8-32 x 3/4" Pan hd. Phil. S/S	2
34	3100146	Nut, Hex "Keps" #10-32	14
35	3250174	Screw, Machine Hex Hd. 1/4-20 x 3/8"	2
36	3250175	Screw Set, 1/4-28 x 3/8 Hex Socket-cone Point	4
37	0011860	Vertical Door Conveyor Assy.	1
*Not Shown			

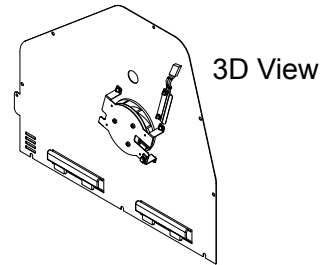
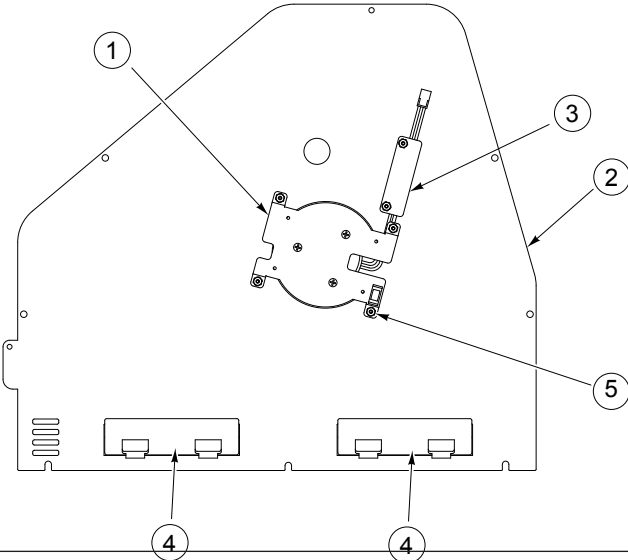
Electrical Compartment Components View B



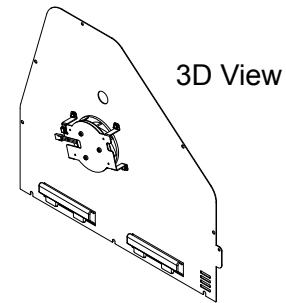
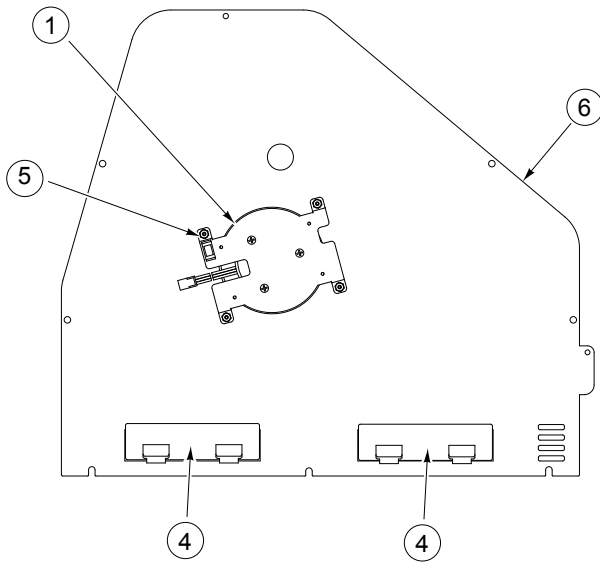
Item	Part No.	Description	Qty.
1	4010217	Transformer, 24 V, Class 2	1
2	4010221	Cap-MP, Motor Run	1
3	4050235	Contactor, 3 Pol NO	1
4	7000700	Varistor Kit (Snubber)	1

REPLACEMENT PARTS (continued)

Left Side Access Panel Assembly



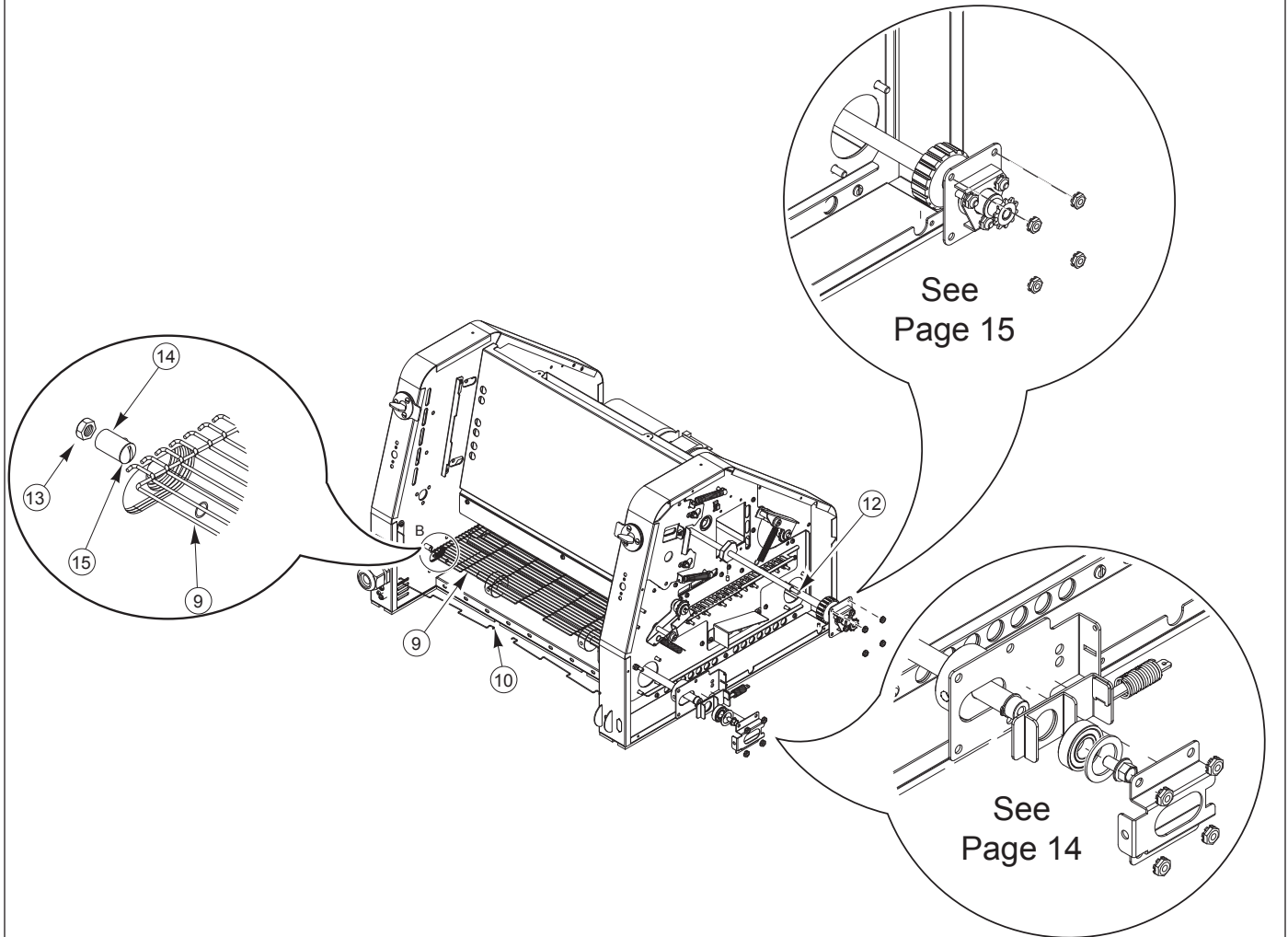
Right Side Access Panel Assembly



Item	Part No.	Description	Qty.
1	7000494	axial Fan 12 VDC	1
2	0021492	Panel, Side Cover, LH	1
3	0504455	Channel, Metal	1
4	2100212	Handle, Pocket Pull, Snap-In	2
5	306P130	Nut, Hex Keps #6-32	10
6	0021493	Panel, Side Cover, RH	1

REPLACEMENT PARTS (continued)

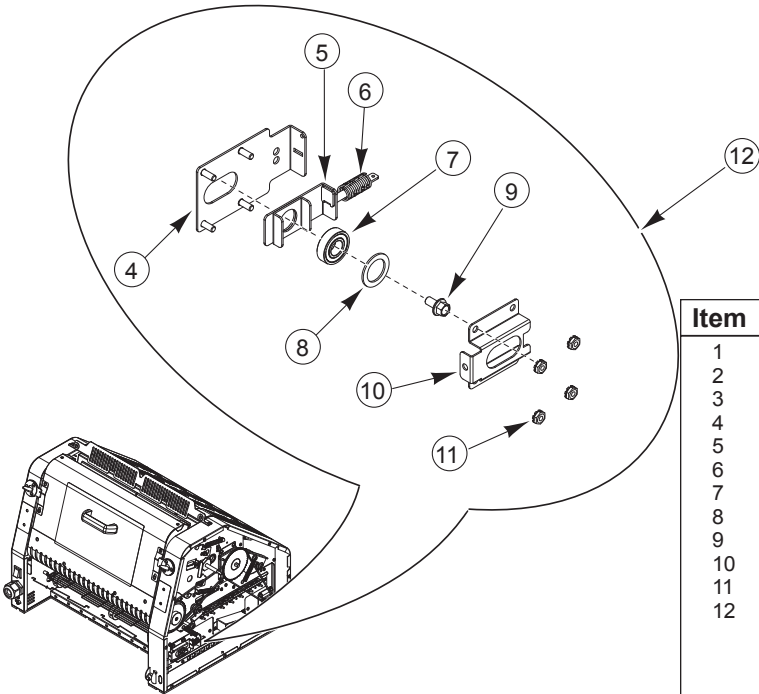
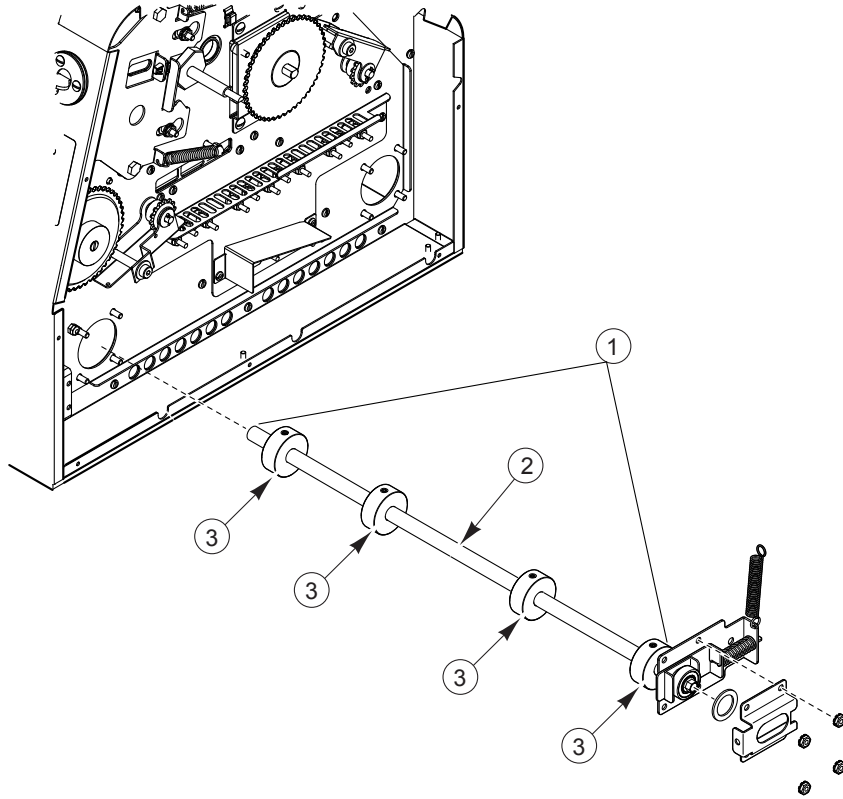
Horizontal Conveyor Mechanical Assembly



Item	Part No.	Description	Qty.
9	7000508	Horizontal Conveyor Kit (includes # 10)	1
10	0800386	Master Links (2-pack)	2
12	2150226	Shaft, Cam	1
13	306P130	Hex Nut #6-32	1
14	2120178	Spacer, 1/2" long	2
15	306P123	Screw, #6-32 7/8" long	1

REPLACEMENT PARTS (continued)

Horizontal Conveyor - Rear Shaft Mechanical Assembly

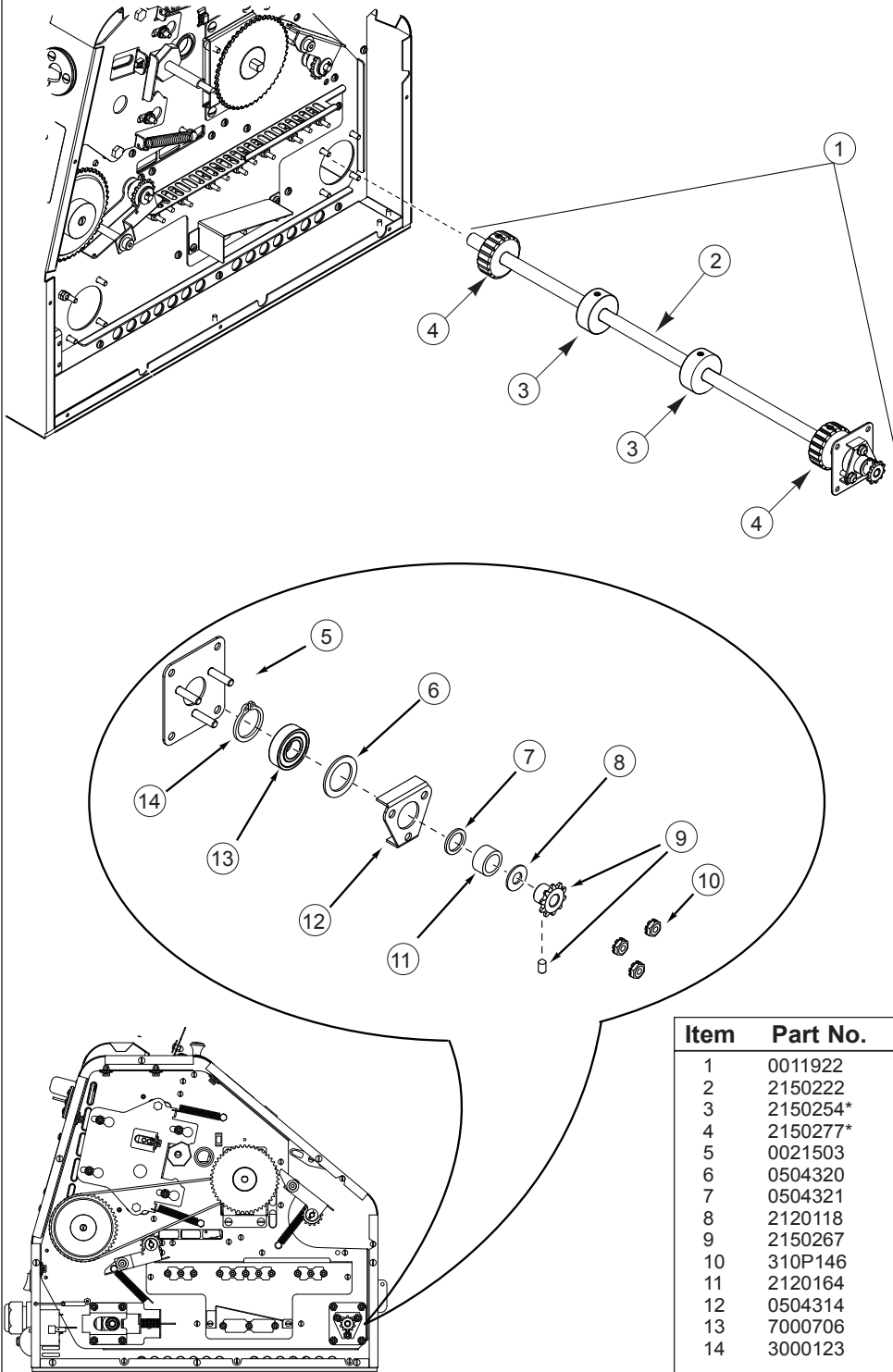


Item	Part No.	Description	Qty.
1	0011923	Rear Shaft Assembly	1
2	2150224	Rear Shaft	1
3	2150254*	Roller	4
4	0504304	Retainer Backing Plate	1
5	0021482	Bracket, Bearing	1
6	0600141	Spring	1
7	7000706	Ball Bearing Kit	1
8	0504320	Large Washer	1
9	3250176	Black Hex Bolt	1
10	0504305	Retainer Cap	1
11	310P146	Hex Nut	4
12	7000503	Rear Shaft Tension Kit (Includes all except P/N 7000706, P/N 3250176, and P/N 3100146)	1

* Drive Rollers and Sprockets are also available in a complete kit as P/N 7000683.

REPLACEMENT PARTS (continued)

Horizontal Conveyor - Front Shaft Mechanical Assembly

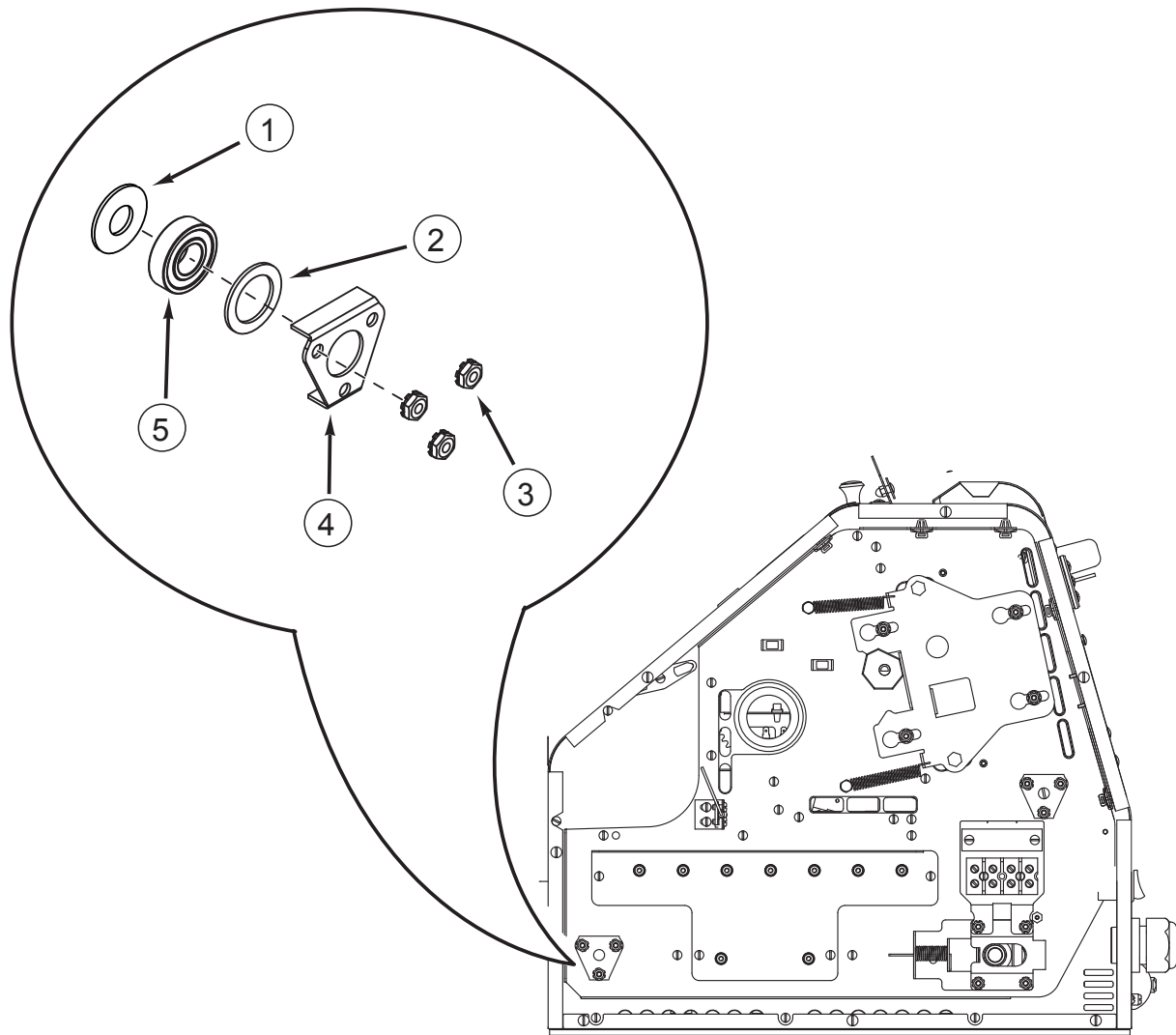


Item	Part No.	Description	Qty.
1	0011922	Front Shaft Assembly	1
2	2150222	Drive Shaft	1
3	2150254*	Drive Roller	4
4	2150277*	Drive Sprocket	
5	0021503	Bearing Mounting Plate	1
6	0504320	Large Washer	1
7	0504321	Medium Washer	1
8	2120118	Small Washer	1
9	2150267	Sprocket w/ Set screw	1
10	310P146	Hex Nuts	3
11	2120164	Spacer	1
12	0504314	Retainer Cap	4
13	7000706	Ball Bearing Kit	1
14	3000123	Ring Retainer	1

* Drive Rollers and Sprockets are also available in a complete kit as P/N 7000683.

REPLACEMENT PARTS (continued)

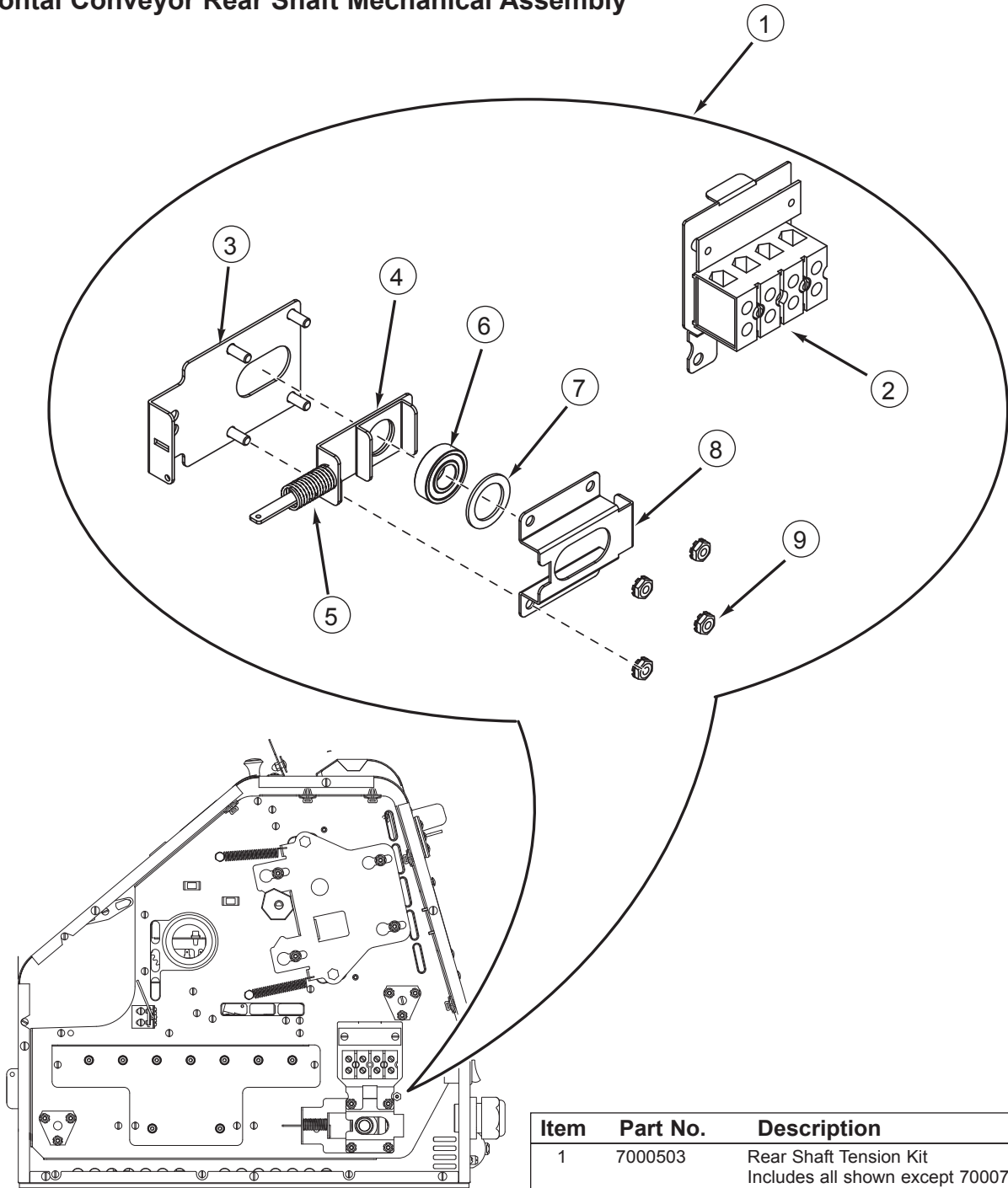
Horizontal Conveyor Front Shaft Mechanical Assembly



Item	Part No.	Description	Qty.
1	0505848	Inner Spacer (with Smaller ID)	1
2	0505849	Outer Spacer (with Larger ID)	1
3	310P146	Hex Nuts (3)	1
4	0504314	Retainer Cap	1
5	7000706	Ball Bearing Kit	1

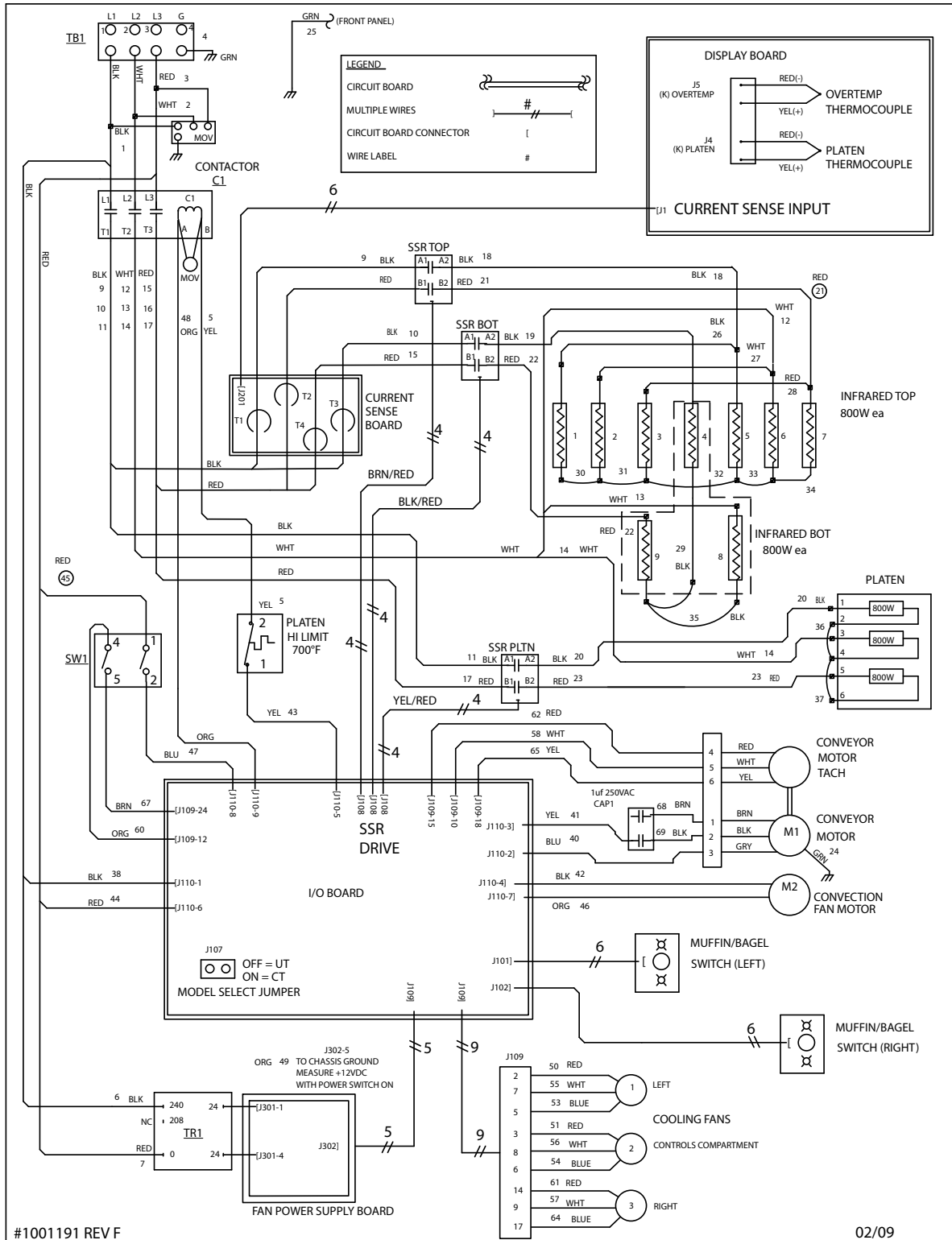
REPLACEMENT PARTS (continued)

Horizontal Conveyor Rear Shaft Mechanical Assembly



Item	Part No.	Description	Qty.
1	7000503	Rear Shaft Tension Kit Includes all shown except 7000706, 310P146, & 4070087)	1
2	4070087	Varistor Board	1
3	0504304	Retainer Backing Plate	1
4	0021482	Bracket Bearing	1
5	0600141	Spring	1
6	7000706	Ball Bearing Kit	1
7	0504320	Large Washer	1
8	0504305	Retainer Cap	1
9	310P146	Hex Nuts (4)	1

WIRING DIAGRAM



⚠ CAUTION ⚠

To avoid possible injury and/or damage to the unit, all inspections, tests, and repair of electrical equipment should be performed by QUALIFIED SERVICE PERSONNEL. The unit MUST be shut down and UNPLUGGED before servicing, except when electrical tests are required. Use extreme care during electrical circuit tests. Live circuits will be exposed.



A.J. Antunes & Co.

A.J. Antunes & Co.
Headquarters/Manufacturing
180 Kehoe Boulevard
Carol Stream, Illinois 60188 USA
Phone (630) 784-1000
Toll Free (800) 253-2991
Fax: (630) 784-1650

Antunes Equipment
Manufacturing (Suzhou) Ltd.,
9 Hou Ju Road, Building #24,
S&T Park, SND
Suzhou, Jiangsu, China 215011
Phone: 86-512-6841-3637
Fax: 86-512-6841-3907

www.ajantunes.com