



Place this manual in the Toaster section  
of your Equipment Manual.  
Manufactured exclusively for  
McDONALD'S®

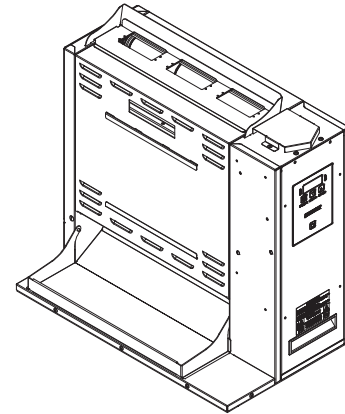
BY  
ANTUNES  
180 KEHOE BLVD.  
CAROL STREAM, ILLINOIS 60188, U.S.A.  
PHONE: +1-630-784-1000  
TOLL FREE: +1-877-392-7854  
FAX: +1-630-784-1650  
www.antunes.com



HEBT-3V

Scan with mobile device or enter URL  
for product and service information.

<http://tiny.cc/ajaHEBT3V>



## TABLE OF CONTENTS

<b>Owner Information</b> .....	<b>2</b>	<b>Operation</b> .....	<b>7</b>
General.....	2	<b>Maintenance</b> .....	<b>8</b>
Service/Technical Assistance .....	2	Daily Cleaning .....	8
Warranty Information .....	2	Quarterly.....	11
<b>Specifications</b> .....	<b>3</b>	Clean Cooling Fans and Electrical Housings (Annually) .....	13
Electrical Specifications & Plug Configuration .....	3	<b>Troubleshooting</b> .....	<b>14</b>
Dimensions .....	3	<b>Replacement Parts</b> .....	<b>17</b>
<b>Important Safety Information</b> .....	<b>4</b>	<b>Wiring Diagram</b> .....	<b>24</b>
<b>Installation</b> .....	<b>5</b>	<b>Notes</b> .....	<b>25</b>
Unpacking.....	5		
Location .....	5		
<b>Operation</b> .....	<b>6</b>		
Operating Instructions .....	6		
User Mode.....	6		
Manager Mode .....	6		
Safety Features .....	7		

### LIMITED WARRANTY

A.J. Antunes & Co. provides the following limited warranty to the original purchaser of all McDonald's Equipment.

All components are warranted against defects in the material and workmanship for a period of two (2) years. If any part becomes inoperable during the period of this warranty, A.J. Antunes & Co. will pay labor costs to an Authorized Service Agent to replace the part plus travel expenses.

#### WARRANTY EXCLUSIONS

- The cost of installation.
- Equipment that has been damaged due to shipment. Purchaser should make damage claim directly upon carrier.
- Alteration, misuse, abuse.
- Improper storage or handling.
- Improper maintenance.
- Failure to follow proper installation instructions, including electrical connection.

- Improper or unauthorized repairs.
- Scheduled Maintenance procedures as outlined in your MRC Card.
- Consumables such as Grill Covers (Release Sheets), gaskets, Conveyor Belt Wraps, O-rings, removal of links, and light bulbs.
- Freight, foreign, excise, municipal, or other sales or use taxes.
- Consequential damages such as loss of profit, loss of time, the cost of repairing or replacing other property which is damaged, or any other incidental damage of any kind.

A.J. Antunes & Co. reserves the right to make changes in design or add improvements on any products. The right is always reserved to modify Equipment because of factors beyond our control and government regulation. Changes to Equipment do not constitute a warranty charge.

This warranty is exclusive and is in lieu of all other warranties, expressed or implied, including any implied warranty of merchantability or fitness for a particular purpose, each of which is expressly disclaimed. The remedies described above are exclusive, and in no event shall A.J. Antunes & Co. or any of its Divisions be liable for special consequential or incidental damages for the breach or delay in the performance of this warranty.

**This manual is for the exclusive use of licensees and employees of McDonald's Systems, Inc..**

**© McDonald's Corporation All Rights Reserved**

# HEBT-3V BUN TOASTER

## OWNER INFORMATION

### General

This manual provides the safety, installation, and operating procedures for this unit. Please read this manual prior to installing and operating the unit.

This unit is manufactured from the finest materials available and assembled to Roundup's strict quality standards. This unit has been tested at the factory to ensure dependable trouble-free operation.

### Service/Technical Assistance

If you experience any problems with the installation or operation of your unit, contact Antunes Technical Service at +1-877-392-7854 (toll free).

### Warranty Information

Please read the full text of the Limited Warranty in this manual.

If the unit arrives damaged, contact the carrier immediately and file a damage claim with them. Save all packing materials when filing a claim. Freight damage claims are the responsibility of the purchaser and are not covered under warranty.

The warranty does NOT extend to:

- Damages caused in shipment or damage as result of improper use.
- Installation of electrical service.
- Normal maintenance as outlined in this manual.
- Malfunction resulting from improper maintenance.
- Damage caused by abuse or careless handling.
- Damage from moisture into electrical components.
- Damage from tampering with, removal of, or changing any preset control or safety device.

Fill in the information below and have it handy when calling Antunes Technical Service for assistance. The serial number is on the specification plate located on the rear of the unit.

Purchased From: \_\_\_\_\_

Date of Purchase: \_\_\_\_\_

Model No.: \_\_\_\_\_

Serial No.: \_\_\_\_\_

Mfg. No.: \_\_\_\_\_

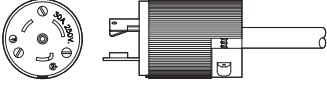
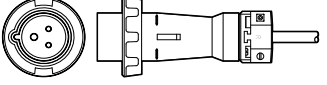
Network ID Number: \_\_\_\_\_

Use only genuine Antunes replacement parts in this unit. Use of replacement parts other than those supplied by the manufacturer will void the warranty.

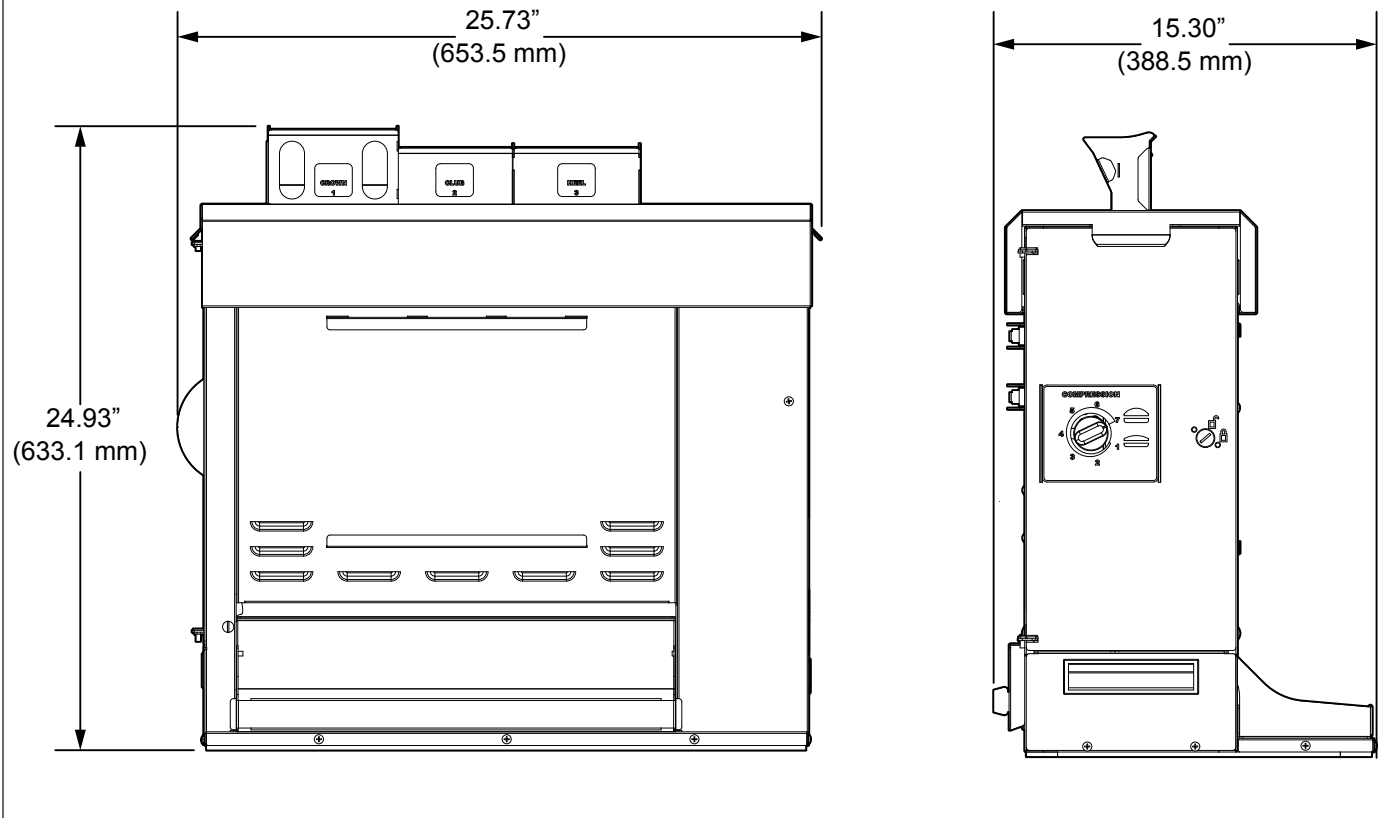
**IMPORTANT! Keep these instructions for future reference. If the unit changes ownership, be sure this manual accompanies the equipment.**

**SPECIFICATIONS**

**Electrical Specifications & Plug Configuration**

Model & Mfg. No	Volt	Watts	Hz.	Plug Description	Plug Configuration
HEBT-3V 9210858	208	3300	50/60	L6-30P 30 Amp., 250 Volt, Straight Twist Lock	
HEBT-3V 9210865	250	3300	50/60	L6-30P 30 Amp., 250 Volt, Straight Twist Lock	

**Dimensions**



**⚠ CAUTION ⚠**

All electrical connections must be in accordance with local electrical codes and any other applicable codes.

## IMPORTANT SAFETY INFORMATION

In addition to the warnings and cautions in this manual, use the following guidelines for safe operation of the unit.

- Read all instructions before using equipment.
- For your safety, the equipment is furnished with a properly grounded cord connector. Do NOT attempt to defeat the grounded connector.
- Install or locate the equipment only for its intended use as described in this manual. Do NOT use corrosive chemicals in and/or on this equipment.
- Do NOT operate this equipment if it has a damaged cord or plug, if it is not working properly, or if it has been damaged or dropped.
- This equipment should be serviced by qualified personnel only. Contact Antunes Technical Service for adjustment or repair.
- Do NOT block or cover any openings on the unit.
- Do NOT immerse cord or plug in water.
- Keep cord away from heated surfaces.
- Do NOT allow cord to hang over edge of table or counter.
- Do NOT clean this appliance with a water jet.

The following warnings and cautions appear throughout this manual and should be carefully observed.

- Turn the unit off, wait for the cool-down procedure to complete its cycle, and disconnect the power cord before performing any service or maintenance on the unit.

**NOTE: Turning off the power switch does NOT turn off all power to the unit. When the unit is plugged in and turned off, an LED light flashes to indicate that the power cord is plugged in.**

- The procedures in this chapter may include the use of chemical products. These chemical products will be highlighted with bold face letters followed by the abbreviated **HCS** (Hazard Communication Standard). See Hazard Communication Standard manual for the appropriate Material Safety Data Sheets (MSDS).
- The equipment should be grounded according to local electrical codes to prevent the possibility of electrical shock. It requires a grounded receptacle with separate electrical lines, protected by fuses or circuit breaker of the proper rating.

- Bread may burn. Therefore toasters must not be used near or below curtains or other combustible walls and materials. Failure to maintain safe operating distances may cause discoloration or combustion.

### **WARNING**

**To avoid possible personal injury and/or damage to the unit, all inspections, tests, and repair of electrical equipment should be performed by QUALIFIED SERVICE PERSONNEL. The unit MUST be completely shut down and unplugged before any internal servicing, except when electrical tests are required. Use extreme care during electrical circuit tests. Live circuits will be exposed.**

### **CAUTION**

**All electrical connections must be in accordance with local electrical codes and any other applicable codes.**

### **CAUTION**

**Bread may burn. Therefore toasters must not be used near or below curtains or other combustible walls and materials. Failure to maintain safe operating distances may cause discoloration or combustion.**

### **CAUTION**

**NEVER unplug the power cord while the unit is running! Use the proper shutdown procedure before unplugging the power cord.**

### **WARNING**

**ELECTRICAL SHOCK HAZARD. FAILURE TO FOLLOW THE INSTRUCTIONS IN THIS MANUAL COULD RESULT IN SERIOUS INJURY OR DEATH.**

- Electrical ground is required on this appliance.
- Do NOT modify the power supply cord plug. If it does not fit the outlet, have a proper outlet installed by a qualified electrician.
- Do NOT use an extension cord with this appliance.
- The toaster should be grounded according to local electrical codes to prevent the possibility of electrical shock. It requires a grounded receptacle with separate electrical lines, protected by fuses or circuit breaker of the proper rating.
- Check with a qualified electrician if you are unsure if the appliance is properly grounded.

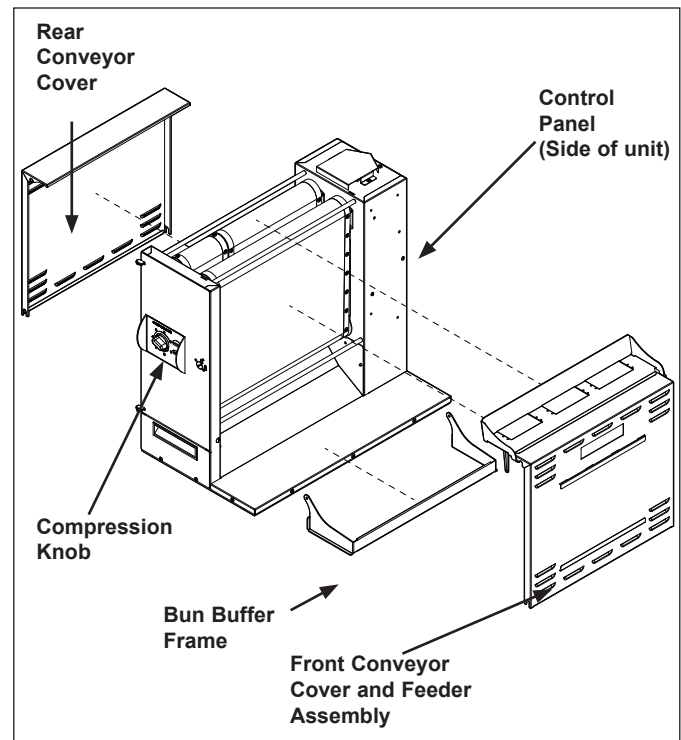
## INSTALLATION

### Unpacking

1. Open the large box. It contains:
  - HEBT-3V toaster
  - Accessories box
2. Remove the accessories box from the large box.
3. With the help of another person, carefully remove the HEBT-3V from the large box.
4. Remove all protective coverings from the unit.
5. Open the Accessories Box. It contains:
  - Owner's Manual
  - Bun Buffer Frame
6. Wipe the entire exterior of the toaster and the accessories mentioned above with a clean towel sprayed with a McDonald's approved sanitizer. Allow to air dry.

**NOTE: Handle accessories with care. If an accessory becomes bent or damaged, it may not attach to the unit correctly, which may affect normal operation.**

**NOTE: If any parts are missing or damaged, contact A.J. Antunes Customer Service IMMEDIATELY at +1-877-392-7854 (toll free).**



**Figure 1. HEBT-3V Components**

### Location

When placing the toaster into service, pay attention to the following guidelines:

- Make sure power is off and the toaster is at room temperature.
  - Do NOT block or cover any openings on the unit.
  - Do NOT immerse cord or plug in water.
  - Keep cord away from heated surfaces.
  - Do NOT allow cord to hang over edge of table or counter.
1. Place the toaster in the required position designated by McDonald's.
  2. Attach the Bun Feeder, Bun Buffer Frame, and Crown\Heel Separator accessories (Figure 1.)
  3. Plug the power cord into an appropriate power outlet. Refer to the specification plate for the proper voltage.

## OPERATION

### Operating Instructions

The HEBT-3V toasts Crowns, Heels, Clubs, and other products. Follow these steps to start the HEBT-3V:

1. Turn on the toaster and wait for warm-up to complete.
2. Set the Compression Knob to 4 (recommended). If further adjustments are required see page 8 under Adjusting Toast Quality. Refer to the figure on page 7.
3. When the unit reaches operating temperature, the control panel displays "Ready".
4. Insert product into the designated area of the Bun Feeder Assembly with the cut side of the bun facing towards the front. Toasted product drops into the Bun Buffer.

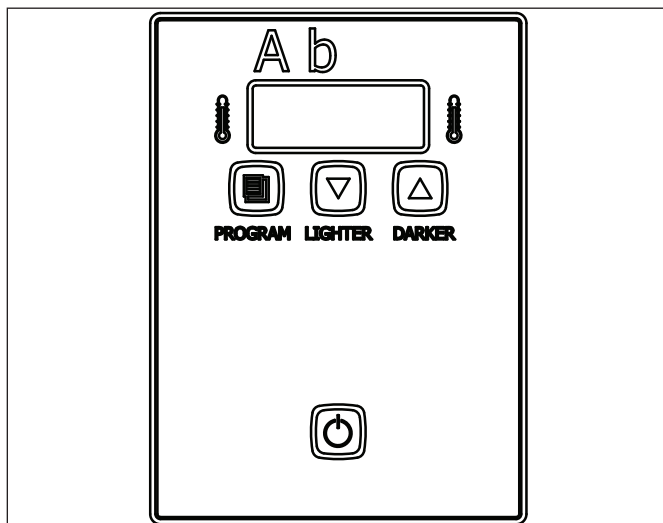


Figure 2. HEBT-3V Control Panel and Display

### User Mode

User Mode allows an operator to view the toaster settings but does not permit any adjustments.

1. Press and hold the **PROGRAM** button for 5 seconds. After 5 seconds, the display will show the actual temperature of the Rear Platen.
2. Press the **LIGHTER** button to toggle between the setpoint and actual temperature of the Rear Platen Heater.
3. Press the **PROGRAM** button to proceed to the Front Platen Heater menu. The display shows the actual temperature of the Front Platen.
4. Press the **LIGHTER** button to toggle between the setpoint and actual temperature of the Front Platen.
5. Press the **PROGRAM** button to proceed to the Motor Menu. The display shows the actual speed of the motor.
6. Press the **LIGHTER** button to toggle between the setpoint and actual speed of the Motor.

**NOTE: The unit will exit User Mode after 5 seconds of keypad inactivity.**

### Manager Mode

Manager Mode allows an operator to view and adjust the following settings:

- Platen A Temperature
- Platen B Temperature
- Motor Speed
- Temperature Units (Celsius or Fahrenheit)
- Current Selection: 208 or 240 volts

Manager Mode also allows an operator to view (but not adjust) the Ambient Temperature of the Control Compartment as well as the number of days of operation.

1. Turn the unit off.
2. Turn the power on while holding the **PROGRAM** button. Hold the button for 5 seconds until the display shows "EnA." Release the button.
3. To adjust the Platen Setpoint Temperature, press the **LIGHTER** or **DARKER** buttons to reach the desired temperature.

**NOTE: The recommended temperature setting for the Rear Platen is 271° C (520° F).**

## OPERATION

- Press the **PROGRAM** button to proceed to the Front Heater Setpoint Temperature.
- To adjust the Front Heater Setpoint Temperature, press the **LIGHTER** or **DARKER** buttons to reach the desired temperature.

**NOTE: The recommended temperature setting for the front Platen is 271° C (520° F).**

- Press the **PROGRAM** button to procedure to the Motor Speed Setpoint.
- Adjust the Motor Speed Setpoint by pressing the **LIGHTER** or **DARKER** buttons to reach the desired speed.

**NOTE: The Motor Speed is adjustable from 1-100. The recommended setting is 75. Setting 75 = 17 second pass through. Setting 66 = 22 second pass through.**

- Press the **PROGRAM** button to proceed to the Temperature Units.
- To change the Temperatures units from Fahrenheit or Celsius, press the **LIGHTER** or **DARKER** buttons.
- Press the **PROGRAM** button to proceed to the Ambient Temperature of the Control Compartment.

**NOTE: No changes can be made to the Ambient Temperature of the Control Compartment. Temperatures under 150° F (66° C) are acceptable.**

- Press and hold the **PROGRAM** button to save any changes.

**NOTE: The unit exits Manager Mode after 30 seconds of keypad inactivity.**

There are variations in bun products Worldwide that are used on the A.J Antunes HEBT toaster such as moisture content, bun formulations, age, tolerances etc. The HEBT was designed to compensate for bun variations by allowing user to adjust the compression, light/dark (speed) & temperatures settings in order to achieve a Gold Standard toasted product.

**1.LIGHT DARK ADJUSTMENT:** Adjust the light dark setting with the ▲ or ▼ buttons. The default light/dark setting on the HEBT from the factory is 0 but can be adjusted from Lighter 0-10 to Darker 0-10. Light 10 is the lightest setting and dark 10 is the darkest. Each increase in "lighter" value will decrease the pass through time and each increase in "darker" value will increase the pass through time.

## Safety Features

### HI-LIMIT CONTROL

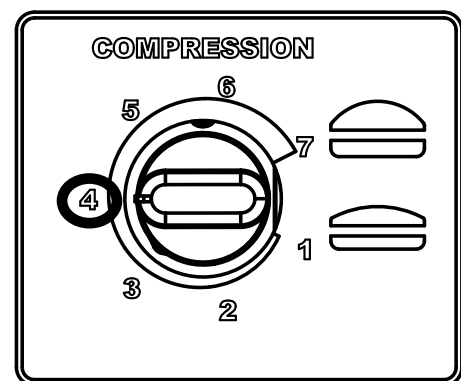
A Hi-Limit Control turns off electrical power to the heaters and control circuits if the unit overheats. To reset the control:

- Allow 10 - 15 minutes for the unit to cool.
- Locate the two Hi-Limit Controls on the rear of the unit. Remove the two black protective caps.
- Press and release both buttons. Reinstall the protective caps.

**NOTE: If the Hi-Limit Controls require continuous resetting, contact your Authorized Service Agency.**

### Purging buns from Toaster

If buns get stuck in the toaster, press and hold both the **UP** and **DOWN** arrow buttons to increase the belt speed until the buns are purged from the toaster.



**2.TEMPERATURE ADJUSTMENT:** Adjust the set point temperature on the platens in the program menu. The default temperature settings on the HEBT are A Platen: 271°C (520°F) and B Platen: 271°C (520° F) . The temperatures can be increased to +/- 50°F (10°C) if needed to achieve an acceptable toast quality.

**3.COMPRESSION ADJUSTMENT:** Adjust the compression knob on the left side of the unit. The default compression setting on the HEBT is 4 but is adjustable from 1-7. It is acceptable to adjust the compression from 1-7 as needed to achieve the desired toast quality and bun compression.



## MAINTENANCE

### Daily Cleaning

#### Clean the Toaster and Belt Wraps

1. Turn the toaster's power switch to the off position. The toaster enters a cool-down mode and will automatically shut down when complete.
2. Remove the bun feeder and bun stop with heat-resistant gloves.
3. Remove the front and rear conveyor covers with heat resistant gloves.
4. Inspect the front belt for any tears, discoloration, or damage to the Belt Wrap snaps. Replace any damaged Belt Wrap as needed. With proper maintenance the Crown and Main Belt Wraps can last six months or longer. Refer to PR 68 Q1 and PR 68 Q2 for belt replacement instructions.
5. If the front belt is in good condition, spray a clean, damp sanitized towel with Sink Detergent solution. Wipe the front belt clean. Rinse the front belt with a separate clean, damp sanitized towel. Allow to air dry.

**NOTE: The belt rollers will continue turning while in cool-down mode. This allows you to clean the entire belt. Only clean the belt where it is in front of the Backing Plate to avoid causing damage to the belt. Repeat this step several times if there is heavy carbon buildup on the conveyor belt.**

6. Inspect the rear belts for any tears, discoloration, or damage to the Belt Wrap snaps. Replace any damaged Belt Wrap as needed. With proper maintenance the Crown and Main Belt Wraps can last six months or longer. Refer to PR 68 Q1 and PR 68 Q2 for belt replacement instructions.
7. If the rear belt is in good condition, spray a clean, damp sanitized towel with Sink Detergent solution. Wipe the rear belt clean. Rinse the rear belt with a separate clean, damp sanitized towel. Allow to air dry.

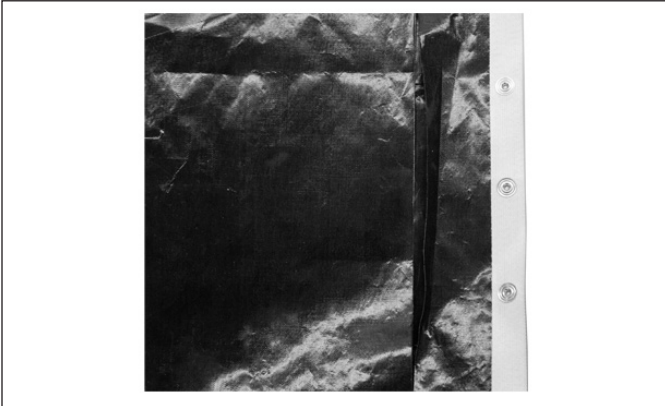
**NOTE: The belt rollers will continue turning while in cool-down mode. This allows you to clean the entire belt.**

**NOTE: Only clean the belt where it is in front of the Backing Plate to avoid causing damage to the belt.**

8. Wash, rinse, and sanitize the bun feeder and bun stop in the three-compartment sink. Allow to air dry.
9. Wash, rinse, and sanitize the front and rear conveyor covers in the three-compartment sink.
10. Reinstall the clean front and rear conveyor covers.
11. Reinstall the clean bun feeder and clean bun stop.
12. Clean the outside surfaces of the toaster with clean, damp sanitized towel sprayed with Heavy Duty Degreaser Solution. Rinse with a clean, sanitizer soaked towel and allow to air dry.
13. Turn the unit on.
14. Place all used towels into the soiled towel bucket.



**MAINTENANCE (continued)**



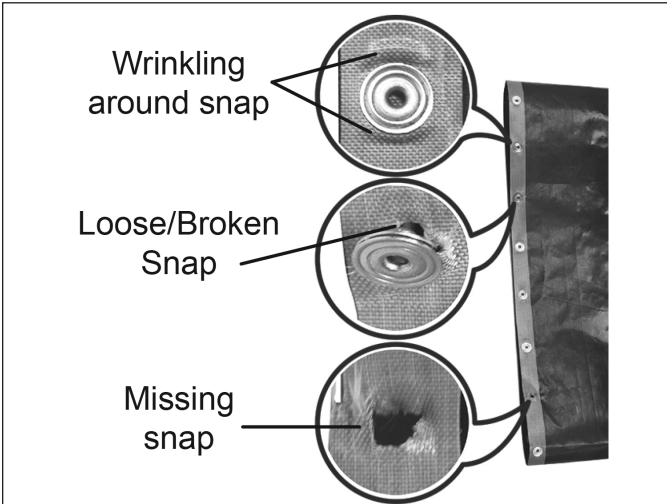
**Figure 3. Examples of Damaged Belts**

**MAINTENANCE (continued)**



**BELT IS TORN AND FOLDED. REPLACE BELT.**

Figure 4. Example of Damaged Belt



Belt is wrinkling/distressed around snaps, has loose/damaged snaps, and is missing snaps. Replace defective belt.

Figure 6. Example of Damaged Belt



**BELT IS MISSING SNAPS AND IS DAMAGED. REPLACE BELT.**

Figure 5. Example of Damaged Belt

**MAINTENANCE (continued)**
**Quarterly**
**Remove Belt Wraps and Clean Rollers**

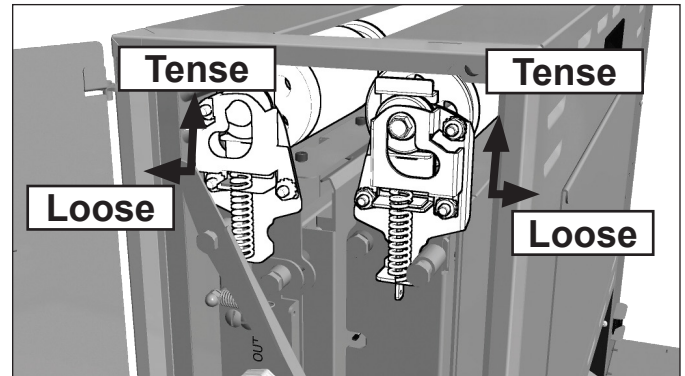
1. Turn the toaster's power switch to the off position. The toaster enters a cool-down mode and will automatically shut down when complete.
2. Unplug the power cord once the cool-down period is complete.

**NOTE: Wait for the cool-down period to complete before unplugging the power cord.**

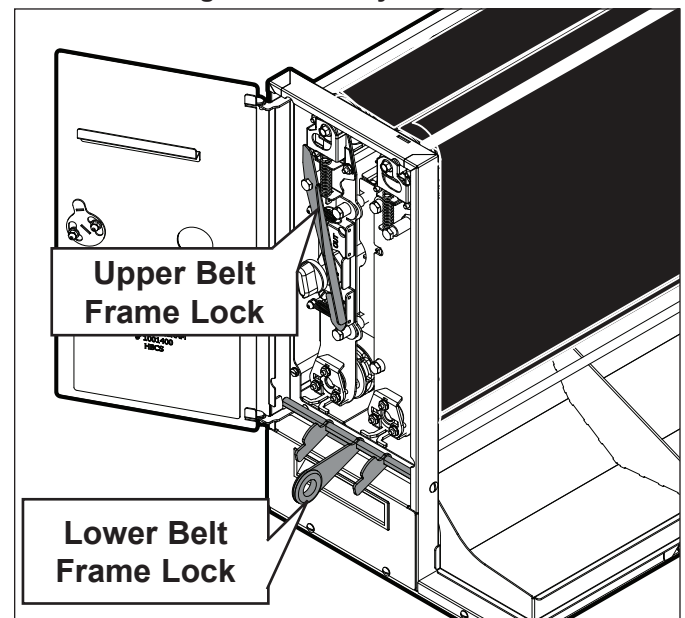
3. Remove the bun feeder using heat-resistant gloves.
4. Remove the front and rear conveyor covers by lifting up and away from the unit. Set the compression knob to 7.

**NOTE: Reposition the toaster as needed to perform these steps.**

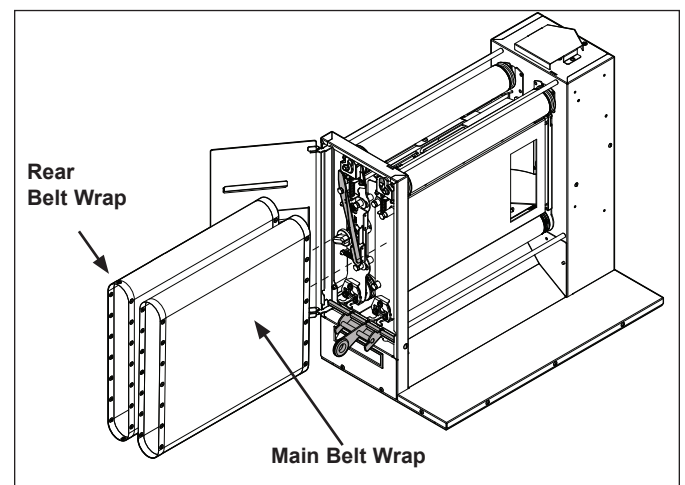
5. Unlock the lock on the left side panel with a flat-head screwdriver and open the panel. Set the bun compression knob to 7.
6. Push down on the front and rear belt rollers and move them away from the center of the toaster. Use both hands. This removes tension and locks the rollers in place.
7. Lift the upper belt frame lock. Then rotate down so it rests on the camshaft of the rear belt roller.
8. Pull down the lower belt frame lock. This provides access to the front and rear belt rollers and belts.
9. Carefully remove both of the belts from the toaster.
10. Wipe all four rollers and backing plates with a clean, damp sanitized towel. Make sure to remove all debris from the rollers and the backing plates so they are as clean as possible.
11. Use a dry cloth towel or nylon-bristled brush to remove all debris from both side compartments, inside of the toaster, and underneath the rollers.



**Figure 7. Conveyor Rollers**



**Figure 8. Conveyor Locks**



**Figure 9. Belt Wraps**

## MAINTENANCE (continued)

### Install Belt Wraps

1. If you are installing the existing belt wraps, inspect the belts. Replace belt wraps if worn or damaged. If the belt wraps are in good condition put them back on the toaster.
2. For new or existing belts, wipe both sides of the belts with a clean, damp sanitized towel. Allow to air dry.
3. Slide the belts gently over the appropriate top and bottom roller. Make sure the belt lines up properly on the rollers. The snaps on the belts should face the inside of the roller.
4. Lift up the front and rear belt roller. Use both hands. This will add tension and lock them in place.
5. Lift the lower conveyor lock to lock the rollers into place.

**NOTE:** Lift up on the camshaft of the rear conveyor roller while lifting the conveyor lock.

6. Lift the upper belt frame lock and lock in place on the conveyor assembly. Set the compression knob to 4.
7. Close the side panel and lock the lock using a flathead screwdriver on the side panel.
8. Re-install the front and rear conveyor covers so they lock into place.
9. Re-install the bun feeder and bun stop onto the top of the unit.
10. Plug in the power cord and turn the unit on.

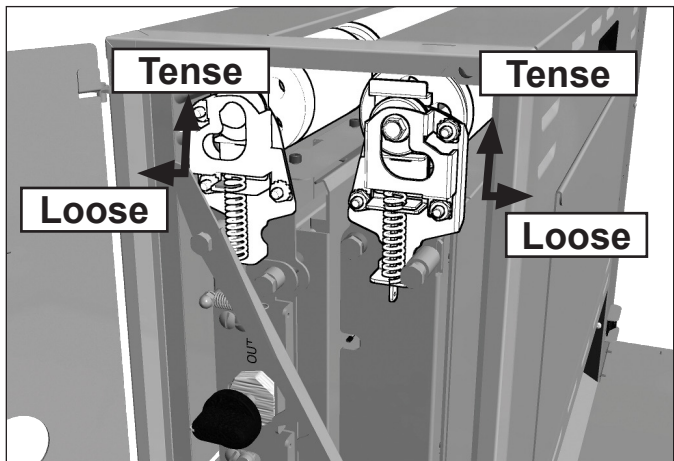


Figure 10. Conveyor Rollers

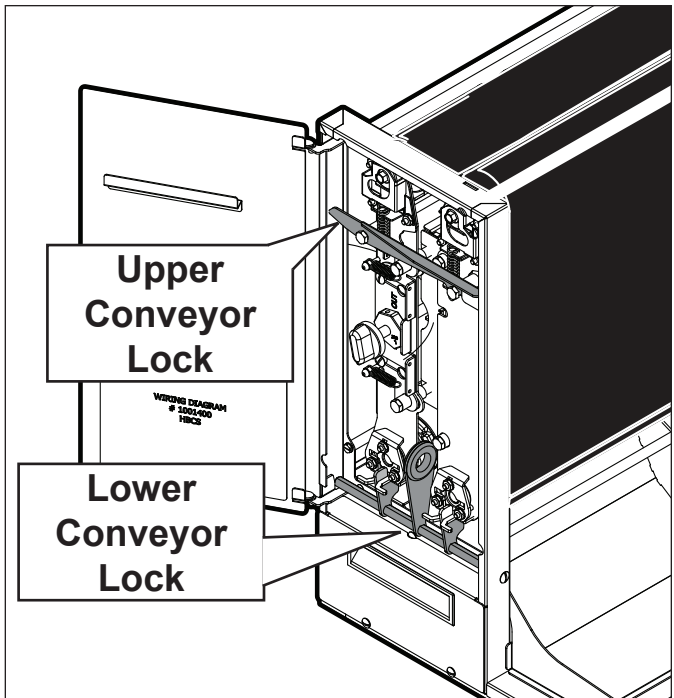
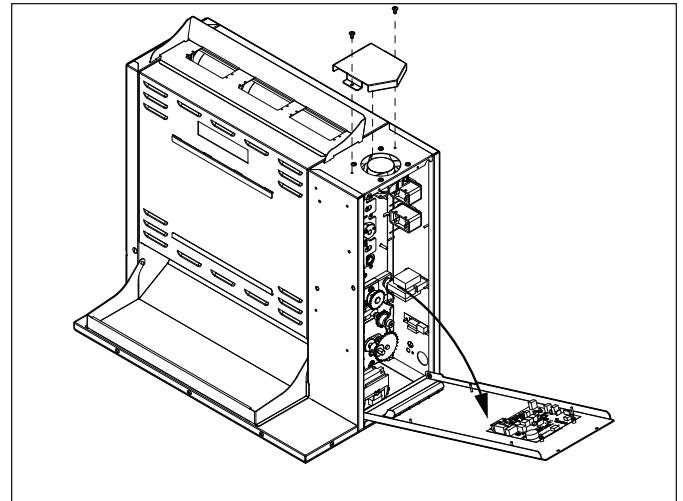
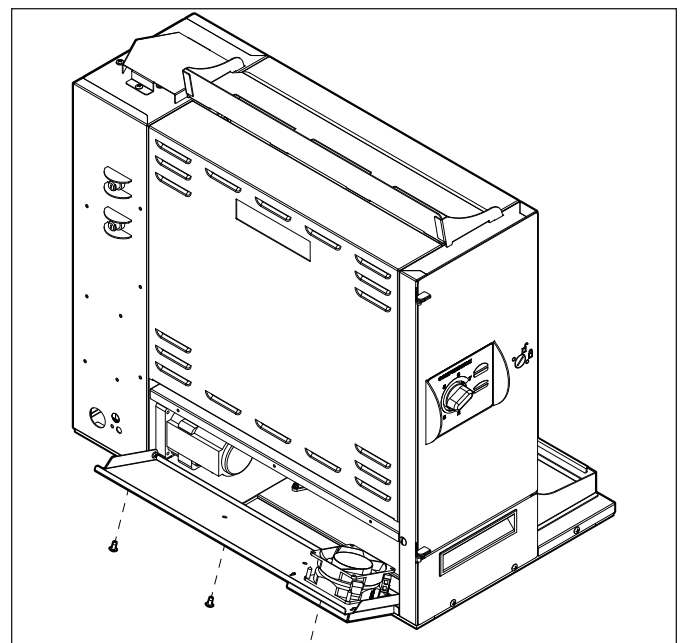


Figure 11. Conveyor Locks



**MAINTENANCE (continued)**
**Clean Cooling Fans and Electrical Housings (Annually)**

1. Turn the toaster's power switch to the off position. The toaster enters a cool-down mode and will automatically shut down when complete. Unplug the power cord.
2. Remove the bun feeder and set aside.
3. Remove the top two screws from the control housing cover and slowly lower the cover.
4. Remove any debris or dust from the cooling fan with a small brush. Wipe away any debris with a clean, dry towel. Inspect the electrical compartment for crumbs and debris. Clean out all crumbs and debris using a clean, dry towel or nylon bristled brush. Be careful not to disrupt any of the electrical wiring.
5. Slowly close the control housing cover. Reconnect with the screws.
6. Remove the screws from the bottom plate on the rear of the unit and slowly lower the cover.
7. Remove any debris or dust from the cooling fan with a small brush. Wipe away any debris with a clean, dry towel. Inspect the electrical compartment for crumbs and debris. Clean out the crumbs and debris using a clean, dry towel or nylon bristled brush. Be careful not to disrupt any of the electrical wiring.
8. Close the bottom plate and re-install the screws.
9. Reattach the bun feeder. Plug in the power cord, turn the power on, and test the unit before returning it to service.


**Figure 12. Accessing Top Cooling Fan**

**Figure 13. Accessing Rear Cooling Fan**

## TROUBLESHOOTING

Problem	Possible Cause	Corrective Action
Control Display flashes <b>Err 5</b> continuously. Buns not toasting properly.	The A Platen temperature has not reached the setpoint temperature within 20 minutes.	Allow the unit to warm up for 30 minutes and then recheck. If the Control Display still flashes <b>Err 5</b> , contact your maintenance person or Authorized Service Agency for service.
	Failed A Platen Thermocouple.	Contact your maintenance person or Authorized Service Agency for service.
	Failed Control Board	
Control Display flashes <b>Err14</b> continuously. Buns not toasting properly.	The B Platen temperature has not reached the setpoint temperature within 20 minutes.	Allow the unit to warm up for 30 minutes and then recheck. If the Control Display still reads <b>Err 14</b> , contact your maintenance person or Authorized Service Agency for service.
	Failed Rear Platen Thermocouple.	Contact your maintenance person or Authorized Service Agency for service.
	Failed Control Board.	
Control Display flashes <b>Err 9</b> continuously.	Control Compartment ambient temperature is above 150° F (66° C)	Verify side vents on toaster are unblocked and not near other heating appliances. If problem persists, contact your maintenance person or Authorized Service Agency for service.
	Failed Cooling Fan.	
	Failed Control Board	
Control Display Flashes <b>Err 19</b> continuously. Buns Burn.	Failed A Platen Solid State Relay.	Contact your maintenance person or Authorized Service Agency for service.
	Failed Control Board.	
	Failed A Platen Thermocouple.	
Control Display flashes <b>Err 18</b> continuously. Buns Burn.	Failed B Platen Solid State Relay.	Contact your maintenance person or Authorized Service Agency for service.
	Failed Control Board.	
	Failed B Platen Thermocouple.	
Control Display flashes <b>Err 13</b> continuously. Buns not toasting properly.	Loose A Platen Thermocouple connection on Control Board or the Front Platen Thermocouple is open.	Re-secure the A Platen Thermocouple to the Control Board. If the Control Display still reads <b>Er 13</b> , check the front Thermocouple for continuity. Contact your maintenance person or Authorized Service Agency for service.
	Failed Control Board.	
Control Display flashes <b>Err 11</b> continuously. Buns not toasting properly.	Loose B Platen Thermocouple connection on Control Board or the Rear Platen thermocouple is open.	Re-secure the B Platen Thermocouple connection to the Control Board. If the Control Display still reads <b>Er 11</b> , check the Rear Thermocouple for continuity. Contact your maintenance person or Authorized Service Agency for service.
	Failed Control Board.	
Control Display flashes <b>Err 12</b> continuously. Buns not toasting properly.	Shorted A Platen Thermocouple to ground.	Disconnect and re-secure the A Platen Thermocouple connection to the Control Board. If the Control Display still reads <b>Er 12</b> , check the Rear Thermocouple for continuity. Contact your maintenance person or Authorized Service Agency for service.
	Failed Control Board	
Control Display Flashes <b>Err 10</b> continuously. Buns not toasting.	Shorted B Platen Thermocouple to ground.	Re-secure the B Platen Thermocouple connection to the Control Board. If the Control Display still reads <b>Er 10</b> , check the Rear Thermocouple for continuity. Contact your maintenance person or Authorized Service Agency for service.
	Failed Control Board.	

**TROUBLESHOOTING (continued)**

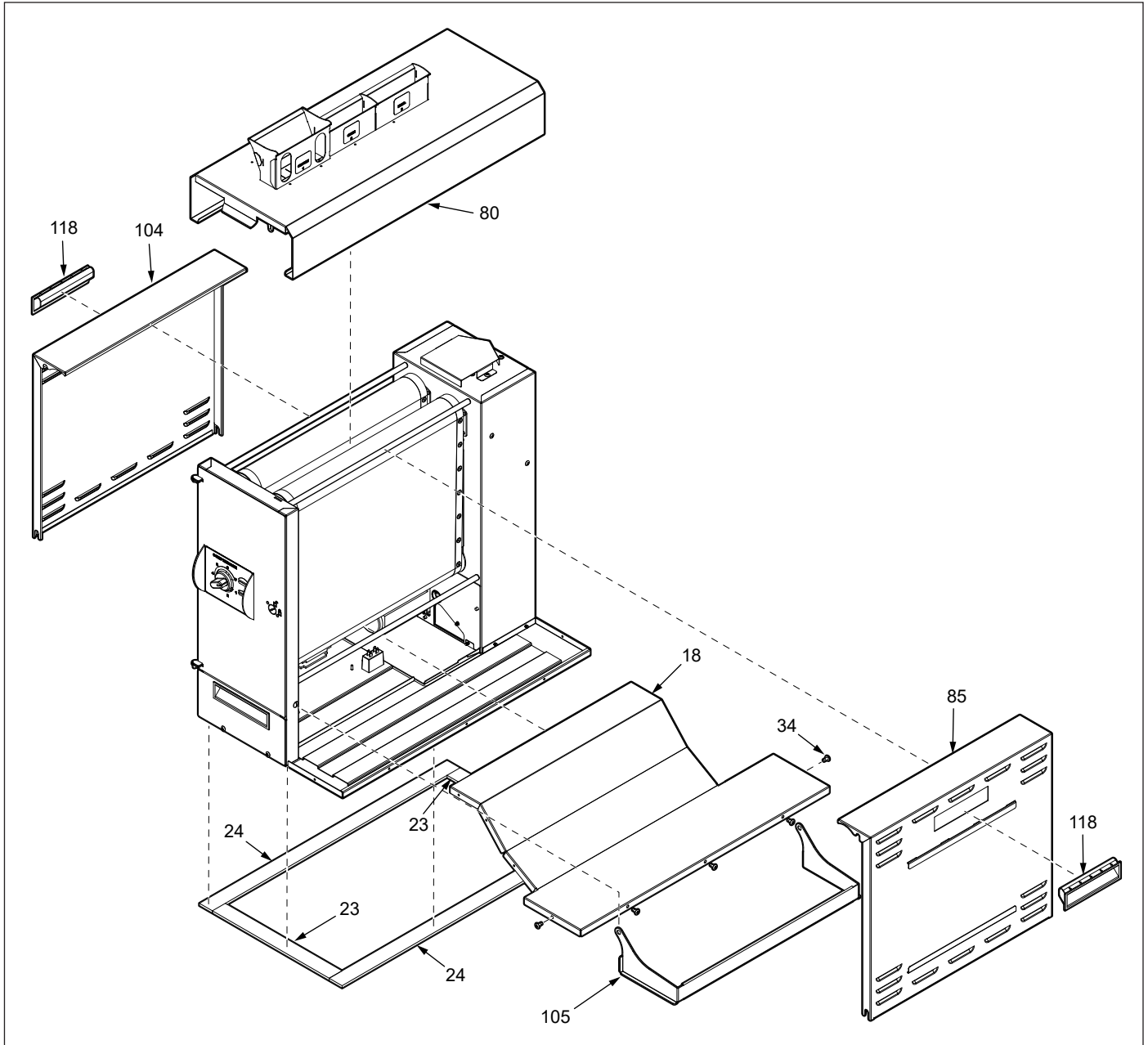
<b>Problem</b>	<b>Possible Cause</b>	<b>Corrective Action</b>
Control Display flashes <b>Err 20</b> .	Mechanical bind in one or both conveyors.	Enter "user mode" to check the motor speed. Check both conveyors for mechanical binds. Test the motor. Replace necessary parts. Contact your maintenance person or Authorized Service Agency for service.
	Worn or damaged Ball Bearings.	
	Drive chain or sprockets damaged.	
	Failed Motor.	
	Failed Control Board.	
Control Display flashes <b>Err 8</b>	Motor is running when it shouldn't be.	Contact your maintenance person or Authorized Service Agency for service.
Crowns and/or Heels must be forced into the toaster. Buns sticking and burning.	Silicone Belts not cleaned properly.	Clean Silicone Belts as described in the Maintenance section of this manual.
	Silicone Belts are not tack/sticky to the touch (replace every 4-6 months).	Clean Silicone belts. If the Silicone Belts are too worn, replace them as described in the Maintenance section of this manual.
	Silicone Belts are dirty, worn, or damaged (replace every 4-6 months).	Clean or replace Silicone Belts as described in the Maintenance section of this manual.
Buns not toasting adequately.	One of the Conveyor top shafts is stuck in the lower lock position.	Inspect positions of the shafts as described in the Maintenance section of this manual.
	Either both Upper/Lower Conveyor locks are not properly locked in place.	Inspect the proper position of the locks as described in the Maintenance section of this manual.
Compression side door will not close.	Either both Upper/Lower Conveyor Locks are not properly locked in place.	Inspect the proper position of the locks as described in the Maintenance section of this manual.
	The lock on the Compression Side Door is in the locked position when trying to close the door.	Turn the lock to the unlocked position before closing the door.
Fan is making an unusual sound.	Failed Cooling Fan.	Verify vents on toaster are unblocked and not near other heating appliances. Clean fans as described in the Maintenance section of this manual. If problem persists, contact your maintenance person or Authorized Service Agency for service.
	Cooling Fan is dirty and needs to be cleaned.	
Control Display flashes <b>Err 17</b> continuously. Buns are not toasting properly.	A platen Hi-Limit Control is tripped.	Allow the unit to cool and reset the A platen Hi-Limit Control. If it trips again, contact your maintenance person or Authorized Service Agency for service.
Control Display flashes <b>Err 16</b> continuously. Buns are not toasting properly.	B Platen Hi-Limit Control is tripped.	Allow the unit to cool and reset the B platen Hi-Limit Control. If it trips again, contact your maintenance person or Authorized Service Agency for service.



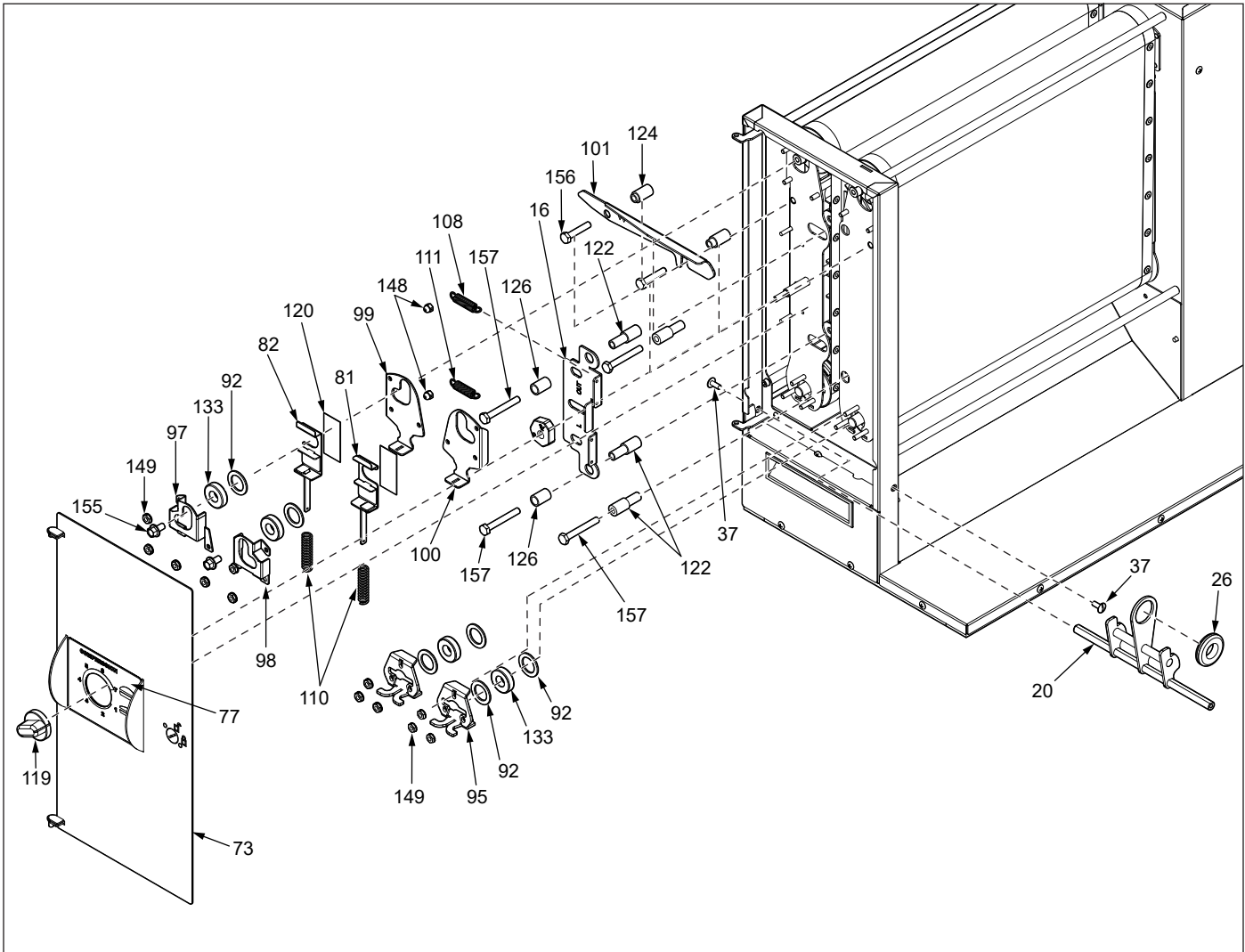
## TROUBLESHOOTING (continued)

Problem	Possible Cause	Corrective Action
Control Display is blank.	Power Cord is not plugged in.	Plug the Power Cord into the appropriate outlet. Turn the toaster on. If the Control Display is still blank, contact your maintenance person or Authorized Service Agency for service.
	Circuit Breakers turned off or tripped. Damaged electrical outlet, plug, or Power Cord. Power Switch damaged.	Reset Circuit Breakers. If they trip again, check the Power Cord, Plug, and outlet for damage. Contact your maintenance person, Authorized Service Agency, and Electrician for service.
	Faulty Transformer.	Replace Transformer.
Conveyors not turning.	Motor Drive Chain is detached from sprockets.	Reinstall the Drive Chain.
	Drive Chain needs lubrication.	Lubricate Drive Chain with Lubit-8 (P/N 2140152).
	Failed Drive Motor.	Contact your maintenance person or Authorized Service Agency for service.
Control Display flashes <b>Err 1, 2, 3, 5, 6, 7,</b> or any number above <b>Err 20.</b>	Internal Control Board fault.	The Control Board needs to be replaced. Contact your maintenance person or Authorized Service Agency for service.

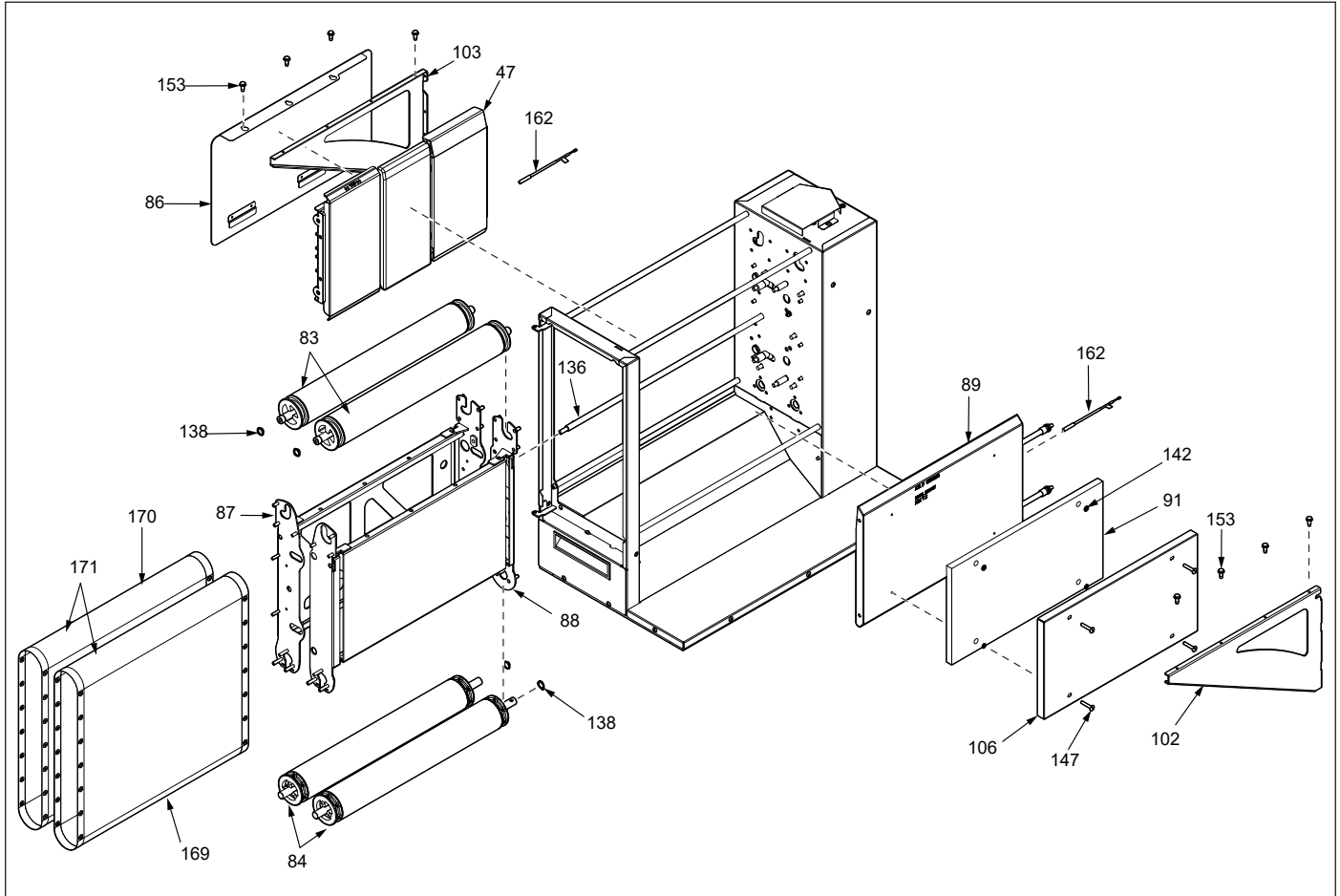
**REPLACEMENT PARTS**



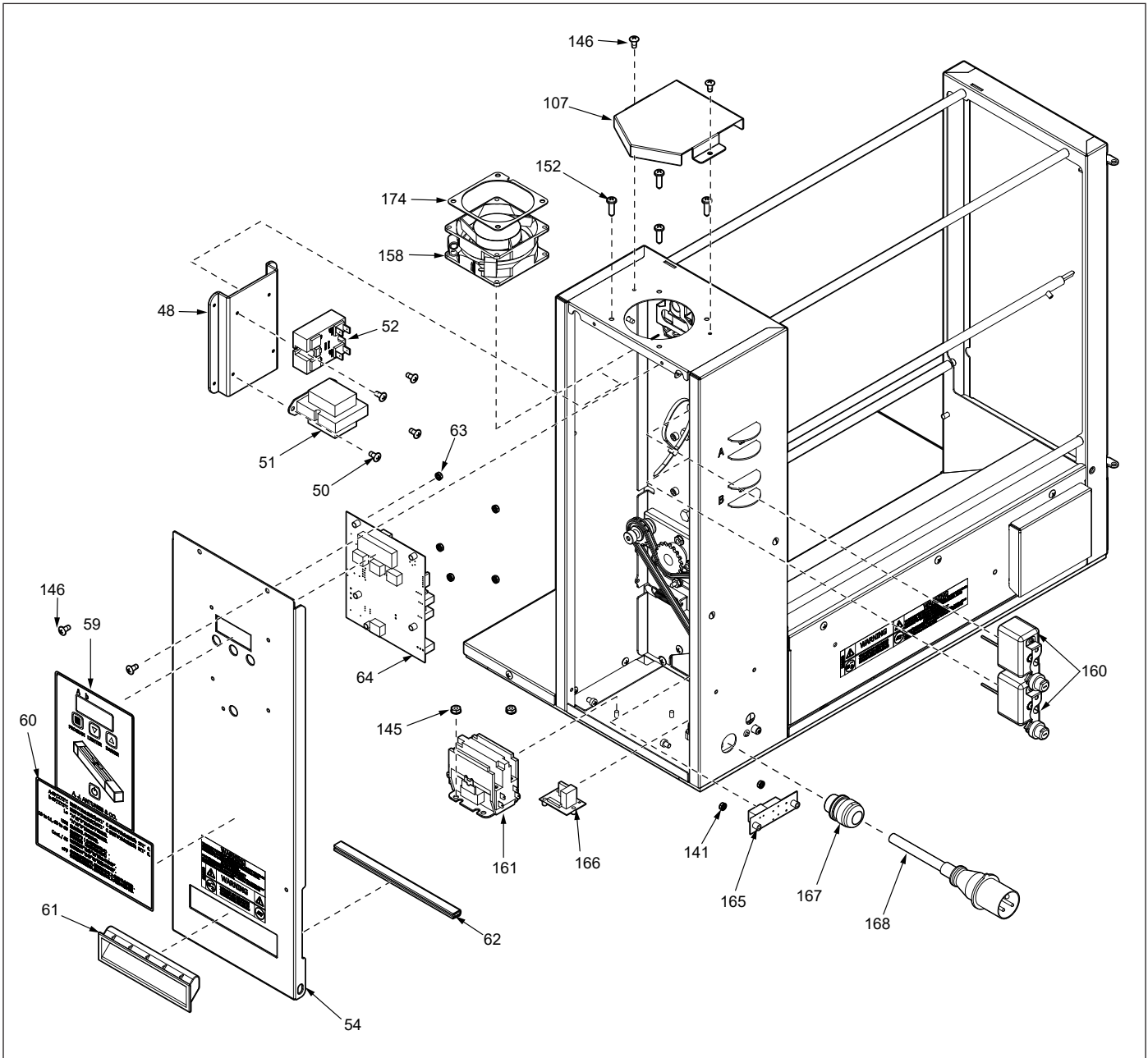
## REPLACEMENT PARTS (continued)



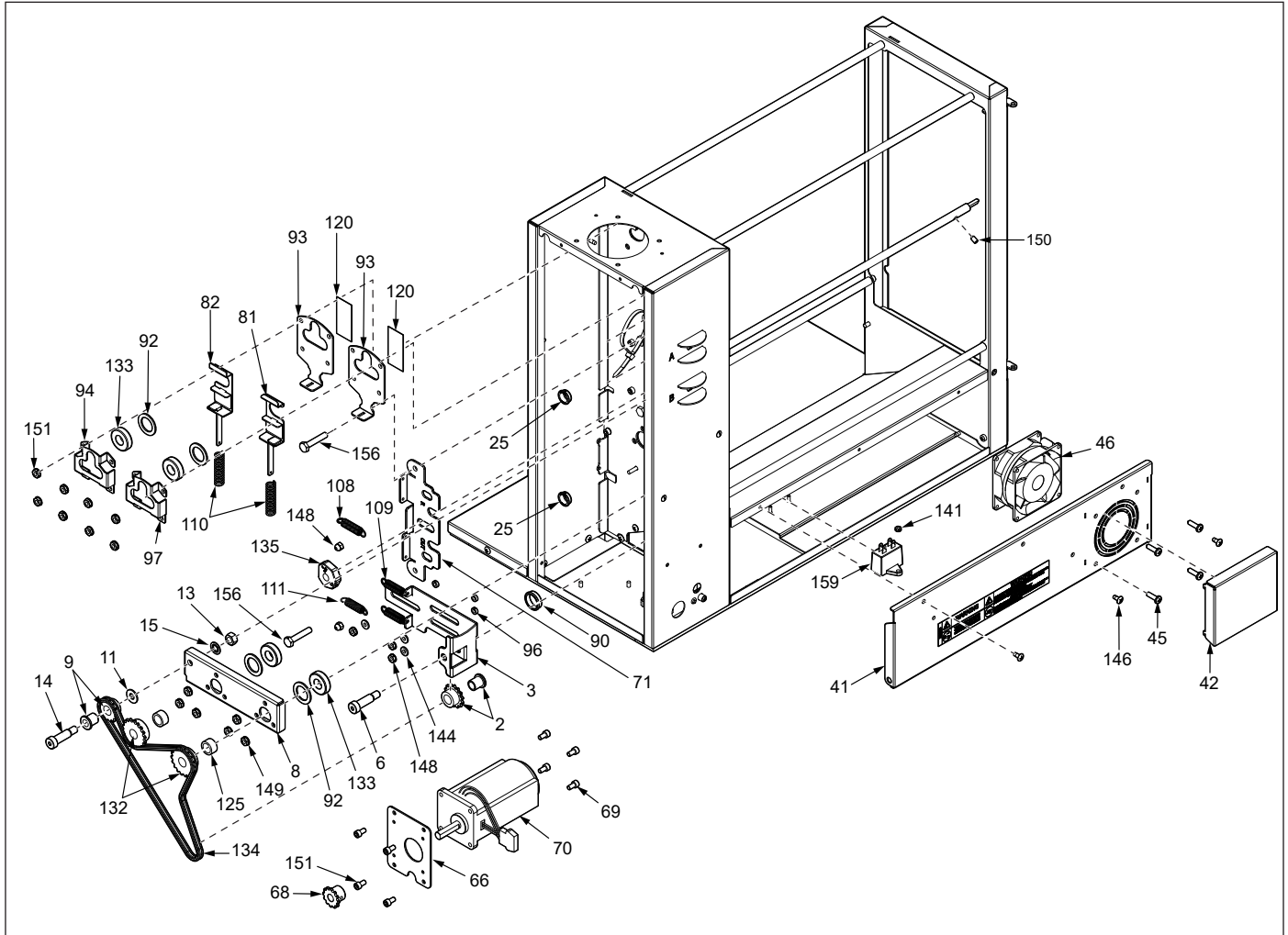
**REPLACEMENT PARTS (continued)**



## REPLACEMENT PARTS (continued)



**REPLACEMENT PARTS (continued)**



## REPLACEMENT PARTS (continued)

Item No.	Part #	Description	Qty.
1	0012603	Sprocket / Tensioner Bracket Assy	1
2	0012592	Sprocket /Bearing Assembly	1
3	0506185	Bracket, Chain Tensioner	1
4	2140109	Loctite # 242 (Blue)	1
5	331P101*	Nut, Hex 5/16 - 18	1
6	331P103*	Shoulder Bolt 3/8" X 1"	1
7	331P106*	Lock Washer	1
8	0012604	Sprocket / Retainer Assy	1
9	0012592	Sprocket /Bearing Assembly	1
10	0506146	Retainer Idler	1
11	2120118	Washer, Flat	1
12	2140109	Loctite # 242 (Blue)	2
13	331P101*	Nut, Hex 5/16 - 18	1
14	331P103*	Shoulder Bolt 3/8" X 1"	1
15	331P106*	Lock Washer	1
16	0012814	Cam Bracket And Thrust Strip Assy, Lh	1
17	0013289	Housing Assembly	1
18	0013288	Base / Heater Assembly	1
19	0021689	Weldment, End Housing	1
20	0021714	Weldment, End Housing Rod Support	1
21	0022117	Weldment, Inner Base	1
22	0022118	Weldment, Control Housing	1
23	0200300	Base Gasket, 11.30" Lg	2
24	0200345	Base Gasket, 23.94" Lg	2
25	0400119	Bushing, Shorty 5/8"	2
26	0400418	Push In Grommet For 1-1/8" Dia. Hole	1
27	0506083	Spacer	2
28	0506174	End Cvr Bottom	1
29	0800474	Rod, Belt Cover	4
30	2100212	Handle, Pocket Pull, Snap-In	1
31	2140101	Adhesive/ Sealant - Rtv	1
32	2140109	Loctite # 242 (Blue)	1
33	308P144*	Screw, #8-32 X 1/4" (#6 Head)	1
34	308P157*	Screw, Tap 8-32 X 3/8"Lg	1
35	308P203*	Screw, Tap 8-32 X 3/8" W/Int. Tooth Washer	1
36	310P102*	Washer, Int. Tooth-Lock,#10	1
37	310P110*	Screw, Mach. #10-32 X 1/2"	1
38	310P199*	Scr, #10-32 X 3/8 Lg Socket Hd Cap	1
39	310P204*	Fillister Head Phillips Screw #10-32 X .25	1
40	0013168	Electrical Panel Assembly	1
41	0022185	Electrical Panel Wldmnt	1
42	0506170	Fan Cover	1
43	1000900	Label - Warning	1
44	1001213	Label - Shock Hazard	1

Item No.	Part #	Description	Qty.
45	310P213*	Screw, Phpnhd #10-16 X 3/4" Thrd Form	1
46	4000202	Fan, Axial - 230V, Metal Housing & Imp	1
47	0013192	Adj. Platen Assembly	1
48	0013181	Relay - Sink Bracket Assy	1
49	0507247	Heat Sink, Relay	1
50	3080157	Screw, Tap 8-32 X 3/8"Lg	4
51	4010187	Transformer, 240 Vac/12Vac	1
52	4050240	Relay, Solid State Dual Pole W/Conn-Receipt	1
53	0013193	Control Cover Assembly	1
54	0022110	Weldment, Control Housing Cover	1
55	1000900	Label - Warning	1
56	1001213	Label - Shock Hazard	1
57	1001434	Label, Thermocouple	1
58	1001598	Wiring Diagram Label	1
59	1001599	Label, Control	1
60	1001613	Label Japanese Translation	1
61	2100212	Handle, Pocket Pull, Snap-In	1
62	2180445	Edge Trim Piece, 7"	1
63	304P105*	Nut, Hex 'Keps' #4-40	1
64	4070230	Asy-Pcb, Main Go To Market (Mcd)	1
65	0013183	Motor / Sprocket Assembly	1
66	0506157	Motor Plate	1
67	2140109	Loctite # 242 (Blue)	2
68	2150316	Sprocket, 25B12 3/8" Bore	1
69	310P199*	Scr, #10-32 X 3/8 Lg Socket Hd Cap	1
70	4000186	Motor, 230V	1
71	0013184	Cam Brkt & Thrust Strip Assy, Rh	1
72	0013185	End Cover Assembly	1
73	7001628	End Cover Assembly Kit	1
74	0021723	Weldment, End Cover Lock	1
75	0506083	Spacer	2
76	0506142	Spacer, .406 X .172 X .048	2
77	1001417	Label, Compression	1
78	308P223*	Washer, Flat #8	1
79	308P340*	Nut, Hex Acorn Lock #8-32	1
80	0013217	Bun Feeder Assembly	1
81	0021724	Weldment, Bearing Brkt & Spring Guide - Rh	2
82	0021725	Weldment, Bearing Bracket & Spring Guide - Lh	2
83	0022101	Weldment, Idler Roller Front Top	2
84	0022103	Weldment, Drive Roller Front Bottom	2
85	0022111	Weldment, Conveyor Cover - Front	1
86	0022114	Cover Weldment	1
87	0022115	Weldment, Adj. Platen Frame	1



**REPLACEMENT PARTS (continued)**

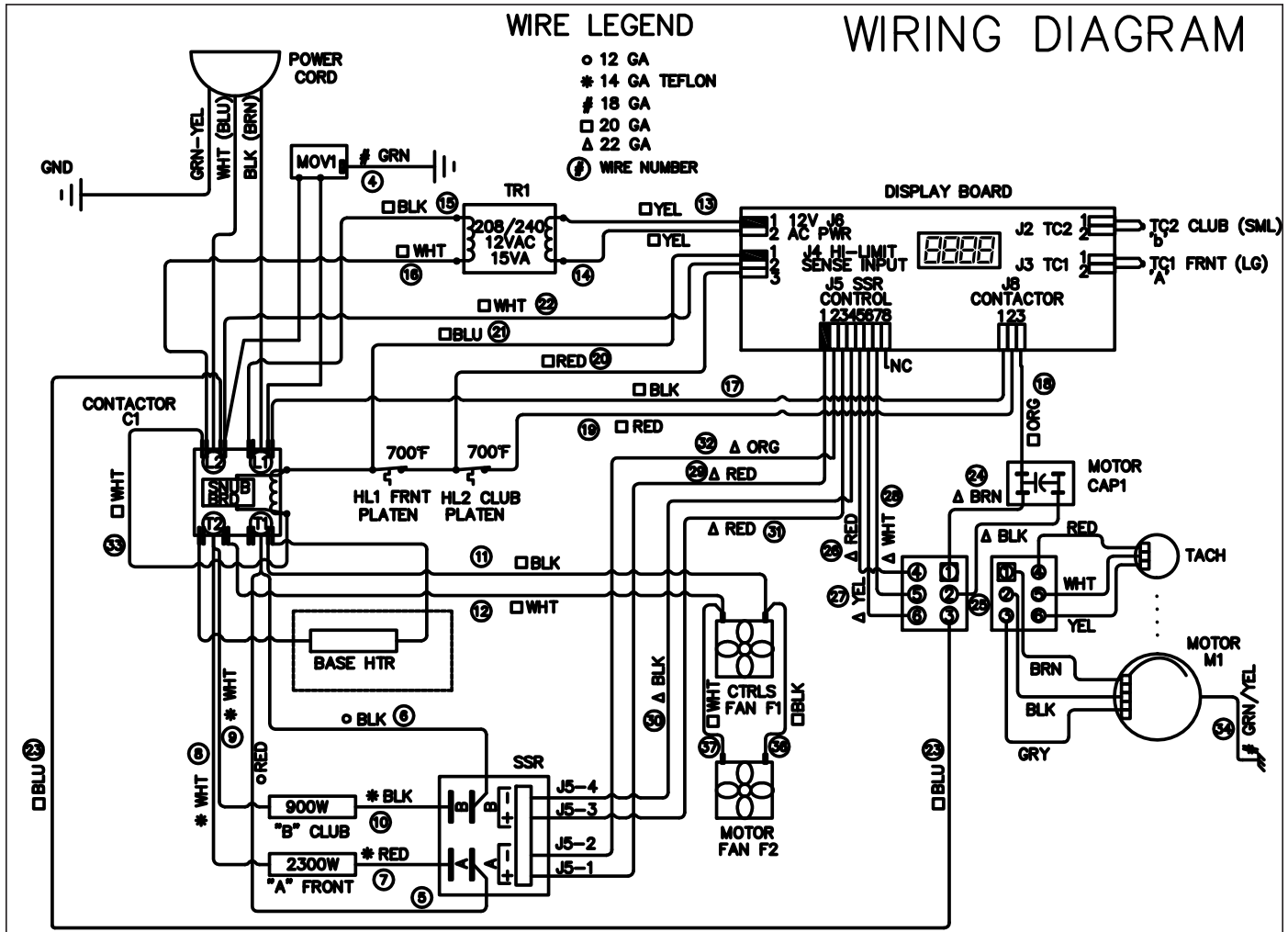
Item No.	Part #	Description	Qty.
88	0022116	Weldment, Fixed Platen Frame	1
89	0100293	Platen, Main 230V, 2300W	1
90	0400147	Bushing, Shorty 7/8"	1
91	0400427	Insulation, Main Platen	1
92	0504320	Spacer 0.781 X 1.125 X 0.06"	10
93	0506144	Plate, Tensioner Rh	2
94	0506163	Bracket, Tensioner	1
95	0506167	Bracket, Bearing	2
96	0506278	Spacer, .312 X .187 X .105	3
97	7001431	Bracket, Tensioner Kit (Incl. 94)	1
98	0506292	Bracket, Tensioner- End Hsg, Front	1
99	0506293	Plate, Tensioner - End Housing, Rear	1
100	0506294	Plate, Tensioner - End Housing, Front	1
101	0506736	Bracket, Housing Locking	1
102	0507112	Support Bracket, Rh	1
103	0507113	Support Bracket, Lh	1
104	0507114	Back Conveyor Cover	1
105	0507115	Bracket, Bun Stop	1
106	0507129	Insulation Plate	1
107	0507246	Cover, Duct Fan	1
108	0600143	Spring, Compression Setting	2
109	0600157	Spring, Chain Tension	2
110	0600158	Spring, Roller Tension	4
111	0600159	Spring, Cam Adj	2
112	0700940	Wire Set (Club Voltage)	1
113	0700941	Wire Set (Ctrl Board)	1
114	0700942	Wire Set (Fan Xfme)	1
115	0700943	Wire Set (Ssr Hi Volt)	1
116	1001452	Label, Pvc Removal	1
118	2100212	Handle, Pocket Pull, Snap-In	2
119	2100253	Knob, 1/4" Shaft, Push-On	1
120	2100334	Thrust Strip, Teflon	4
121	2110200	Fir Tree Mt Cable Tie	1
122	2120213	Spacer, Frame & Platen Lh	4
123	2120216	Spacer, Upper Locking Plate, Front	1
124	2120217	Spacer, Upper Locking Plate, Rear	1
125	2120221	Spacer, 0.69 X 0.503 X 0.359	2
126	2120223	Sleeve Bearing, .50" Od X .75" Lg	2
127	2120224	Sleeve Bearing, .50" Od X .375" Lg	2
128	2120260	Spacer, Adjustable Frame Rh	2
129	2120263	Spacer, Platen Rh	2
130	2140109	Loctite # 242 (Blue)	1
131	2140125	Lubricant, White, Ptfе	1
132	2150185	Sprocket, 25B18, 1/2" Bore	2
133	2150285	Bearing, Single Groove S/S	8
134	2150324	Chain, Drive	1
135	2150362	Cam, Hbcs	2

Item No.	Part #	Description	Qty.
136	2150406	Cam Shaft	1
137	300P102*	Nut, Speed #8-32 "U"	1
138	300P123*	Ring, Retaining, External	1
139	304P105*	Nut, Hex 'Keps' #4-40	1
140	306P104*	Screw, Mach. #6-32 X 1/4"	1
141	306P130*	Nut, Hex Keps #6-32 (Small Pattern)	1
142	308P102*	Washer, Int. Tooth #8	1
143	308P124*	Screw, Mach One-Way #8-32	1
144	308P142*	Washer, Flat #8	1
145	308P143*	Nut, Hex 'Keps' #8-32	1
146	308P157*	Screw, Tap 8-32 X 3/8"Lg	1
147	308P164*	Screw, Mach. #8-32 X 1"	1
148	308P340*	Nut, Hex Acorn Lock #8-32	1
149	310P146*	Nut, Hex 'Keps' #10-32	1
150	310P187*	Screw Set, #10-32 X 3/8 Hex Socket-Cone Point	1
151	310P199*	Scr, #10-32 X 3/8 Lg Socket Hd Cap	1
152	310P109*	Screw, Phpnhd #10-16 X 3/4" Thrd Form	1
153	310P214*	Screw, Hex #10-32 X 1/2"	8
154	325P109*	Screw, Hexcap 1/4-20 X 1/2"	5
155	325P176*	Screw, Flange Hex Head Cap	2
156	325P193*	Screw, Hex, #1/4-20 X 1.375", S.S.	6
157	325P194*	Screw, Hex, #1/4-20 X 2.00", S.S.	4
158	4000202	Fan, Axial - 230V, Metal Housing & Imp	1
159	4010265	Cap-Mp, Motor Run	1
160	4030352	Thermostat, Hi-Limit 700°F	2
161	4050236	Contacto, 2 Pole No	1
162	4051045	Thermocouple Type "K" (Open End)	2
163	4060107	Cable Tie, 1/8W X 5"	1
164	4060374	Ground Lug	1
165	4070154	Varistor Board	1
166	4070198	Snubber Board	1
167	0400375	Strain Relief	1
168	0700968	Power Cord Assembly (Model 9210858)	1
	0013101	Power Cord Assembly (Model 9210864)	1
169	7001070	Main (Front) Belt Wrap	1
170	7001072	Belt Wrap Replacement Kit (incl 1 of Item 168 & 170)	1
171	7002071	Rear Belt Wrap	1
172	1070104	QR Code Label HEBT-3V	1
173	0400376	Lock Nut (Not shown)	1
174	0508465	Fan Bracket	1

\* Available in packages of 10 (ten)

# HEBT-3V BUN TOASTER

## WIRING DIAGRAM











**Corporate Headquarters**  
Carol Stream, IL, USA  
Phone: +1.630.784.1000  
Toll Free: +1.800.253.2991  
Fax: + 1.(630).784-1650

**China Facility**  
Suzhou, China  
Phone: +84.512.6841.3637  
Fax: +86.512.6841.3907

**India Facility**  
Chennai, India  
Phone: +91.44.25532212  
Fax: +91.44.25532415