

Display Cabinet

DC-12C

Owner's Manual

Manufacturing Number
9500715



Display Case

Scan with mobile device or enter URL
for product and service information

<http://tiny.cc/aja-DC>



CAUTION: Read all instructions before using the unit.

Original Instructions

www.antunes.com

This manual is for the exclusive use of licensees and employees of
McDonald's Systems, Inc.

© McDonald's Corporation All Rights Reserved

P/N 1011332 Rev. C 12/20

Table of Contents

Overview

- Before Use
- In Case of Damage
- Website

Service/Technical Assistance

- In Case of Damage
- Equipment Information to Save
- Authorized Service Agency

Safety Information

- Installation
- Maintenance
- Service

Specifications

Installation

- Unpacking
- Location

Maintenance

- Daily Cleaning

Replacement Parts

- Parts List

Exploded View #1

Limited Warranty

Overview

- 2 This unit is intended to be used for commercial applications, for example: in kitchens of restaurants, canteens, hospitals and in commercial enterprises such as bakeries, butcheries, etc., But not for continuous mass production of food.
- 2
- 2
- 2

Before Use

- 3 This manual contains safety, installation, and operating procedures for the unit.
- 3 Read and understand it completely before installing or operating the unit. Keep this document for reference. If the unit changes ownership, this manual must accompany it.
- 4
- 5
- 5

In Case of Damage

- 6
- 6 If the unit arrives damaged, file a claim with the carrier immediately. Save all packing materials when filing a claim. Freight damage claims are the responsibility of the purchaser and are not covered under warranty.
- 7
- 7
- 8

Website

www.antunes.com

Service/Technical Assistance

In Case of Damage

If any parts are missing or damaged, problems with the installation or operation of this product contact Antunes Customer Service immediately toll free at +1-877-392-7856.

If there are problems with the installation or operations of this product, contact Antunes Technical Service toll free at +1-877-392-7854.

Fill in the information in the next section and have it ready when calling for assistance. The serial number is on the specification sticker located on the system.

Equipment Information to Save

Purchased from:

Date of purchase:

Model number:

Serial number:

Manufacturing number:

Authorized Service Agency

Name:

Phone No:

Address:

Safety Information

Installation

- Read and understand all instructions before installing or using the unit.
- Install this unit to comply with the basic plumbing code of the Building Officials and Code Administrators, Inc. (BOCA) and the Food Service Sanitation Manual of the Food and Drug Administration (FDA).
- Install and locate the equipment only for its intended use as described in this manual.

WARNING

ELECTRICAL SHOCK HAZARD. **Failure to follow the instructions in this manual could result in serious injury or death.**

Do not modify the power supply cord plug. If it does not fit the outlet, have a proper outlet installed by a qualified electrician.

Electrical ground is required on this appliance.

Check with a qualified electrician if you are unsure if the appliance is properly grounded.

Do NOT use an extension cord with this product.

The unit should be grounded according to local electrical codes to prevent the possibility of electrical shock. It requires a grounded receptacle with separate electrical lines, protected by fuses or circuit breaker of the proper rating.

NEVER unplug the power cord while the unit is running. Use the proper shutdown procedure before unplugging the power cord.

Operation

- The unit is furnished with a properly grounded cord connector. Do not attempt to defeat the grounded connector.
- Do not operate the unit if it has been damaged or dropped, if it has a damaged cord or plug, or if it is not working properly.
- Do not block or cover any openings on the equipment.
- Do not immerse the cord, unit, or plug in water.
- Keep the cord away from heated surfaces.
- Do not allow the cord to hang over the edge of a table or counter.
- This appliance is not to be used by persons (including children) with reduced physical, sensory or mental capabilities, or lack of experience and knowledge unless they have been given supervision or instruction.
- Children being supervised are not to play with the appliance.
- Bread may burn. Therefore toasters must not be used near or below curtains or other combustible walls and materials. Failure to maintain safe operating distances may cause discoloration or combustion.

Maintenance

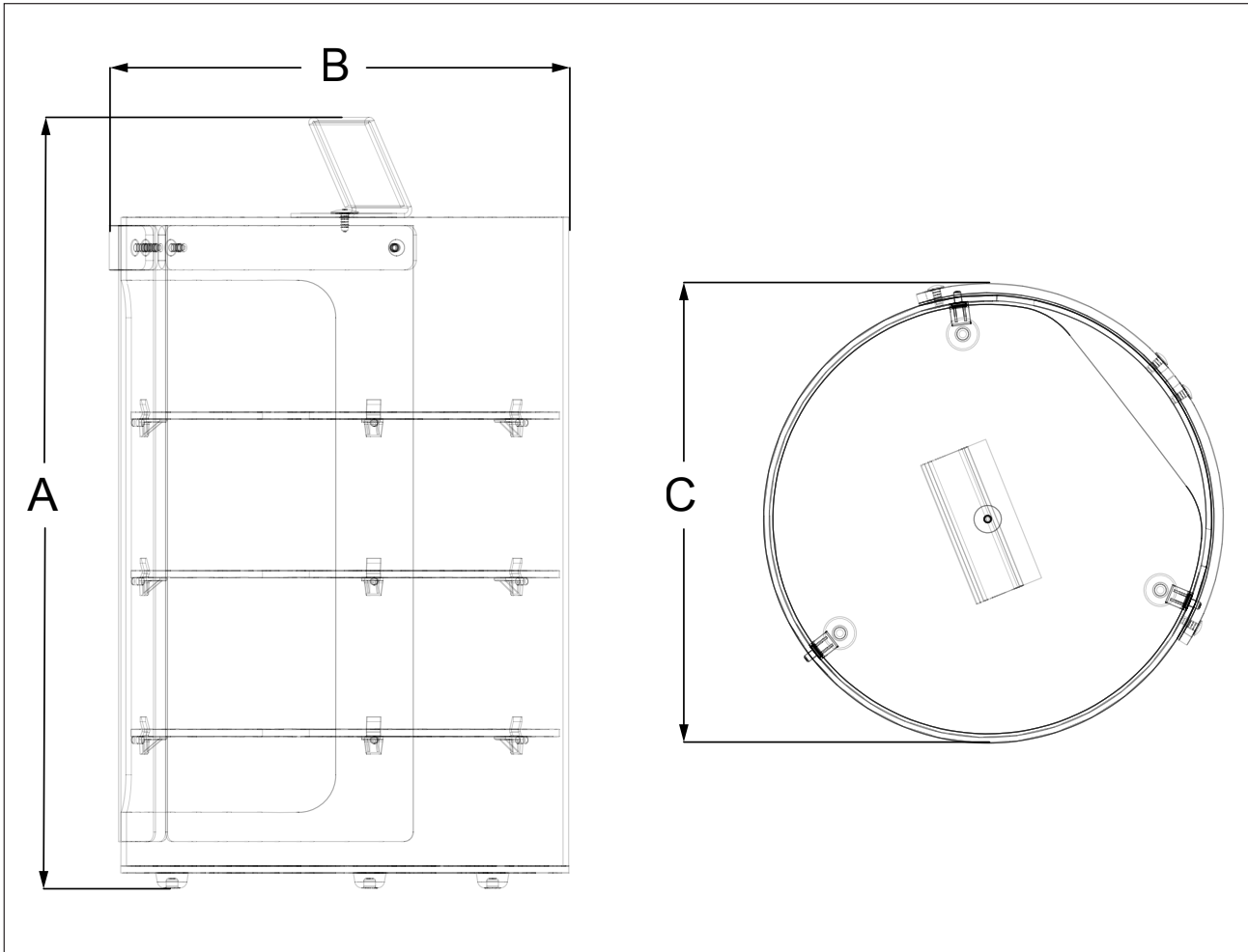
- Do not use abrasive materials; they can damage the unit's stainless steel finish.
- Do not use corrosive chemicals in this equipment.
- Chlorides or phosphates in cleaning agents (e.g., bleach, sanitizers, degreasers, and detergents) can permanently damage stainless steel equipment. The damage is usually in the form of discoloration, dulling of the metal surface finish, pits, voids, holes, or cracks. This damage is permanent and is not covered by warranty.
- Always use a soft, damp cloth for cleaning. Rinse with clear water and wipe dry. When required, always rub in the direction of metal polish lines.
- Routine cleaning should be performed daily with soap and water.
- Rub off finger marks and smears using soap and water.
- Do not clean unit or components in a dishwasher unless specifically specified in the cleaning instructions.
- Do not clean the unit with a water jet or steam cleaner.

Service

- Inspection, testing, and repair of electrical equipment must be performed only by qualified service personnel.
- To avoid possible personal injury and/or damage to the unit, all inspections, tests, and repair of electrical equipment should be performed by qualified personnel ONLY. Contact Antunes Technical Service for adjustment or repair.
- Turn the power off, unplug the power cord, and allow unit to cool to room temperature before performing any service or maintenance.
- If the supply cord is damaged, it must be replaced by the manufacturer, its service agent, or a similarly qualified person in order to avoid an electrical hazard.
- Cleaning and user maintenance shall not be made by children without supervision.

Specifications

Dimensions



Model & Mfg. No.	Width (A)	Depth (B)	Height (C)
DC-12C 9500715	20.64" (524.34 mm)	12.3" (312.57 mm)	12.3" (312.57 mm)

Installation

Unpacking

1. Open the large box. It contains:
 - DC-12C Display Case
 - Owner's Manual
2. Remove the foam inserts from the box.
3. Carefully remove the display case from the large box.
4. Remove the shelves from the display case.
5. Remove the display card holder and plastic clip from the display case.
6. Wash, rinse, and sanitize the shelves and the display card holder at 3-compartment sink. Allow to air dry.
7. Clean the exterior and interior walls of the display case with a clean sanitizer soaked towel sprayed with Glass & Multi-Surface cleaner solution.
8. Next, wipe the exterior and interior of the display case with a clean sanitizer-soaked towel. Allow to air dry.
9. Reinstall the shelves.
10. Attach the display card holder to the top of the display case. Secure with the plastic clip.

NOTE: If any parts are missing or damaged, contact Antunes Technical Service IMMEDIATELY at 1-877-392-7854 (North America only), or 630-784-1000.

11. The unit must be level before use.

Location

When placing the toaster into service, pay attention to the following guidelines:

- Do NOT block or cover any openings on the unit.
 - Keep away from heated surfaces.
1. Place the display case in the required position designated by McDonald's.
 2. Load product into the display case. Insert appropriate card into the display card holder.

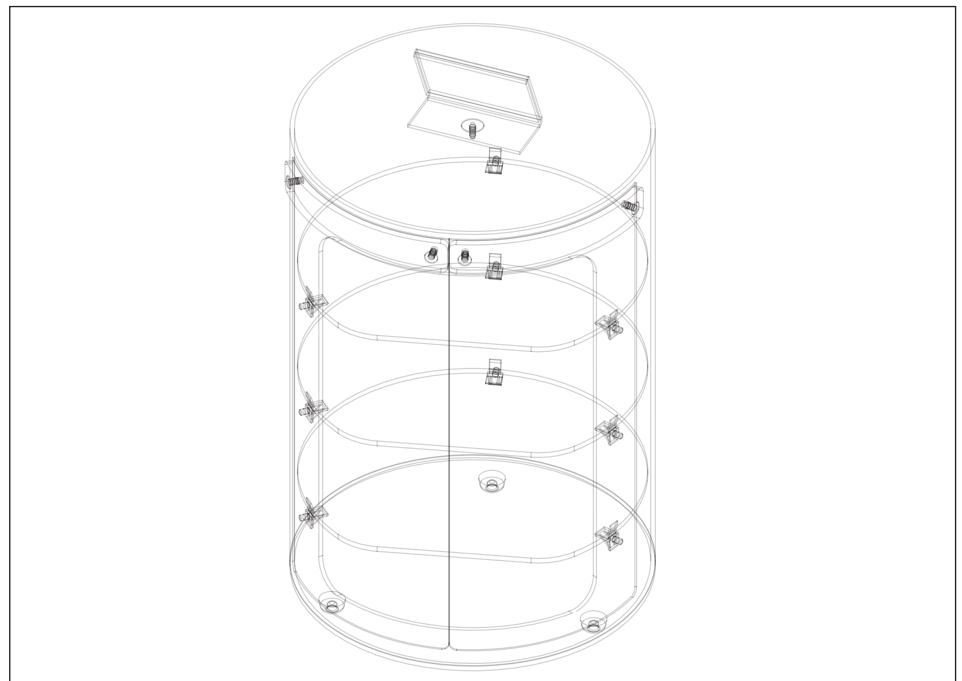


Figure 1. DC-12C Display Case

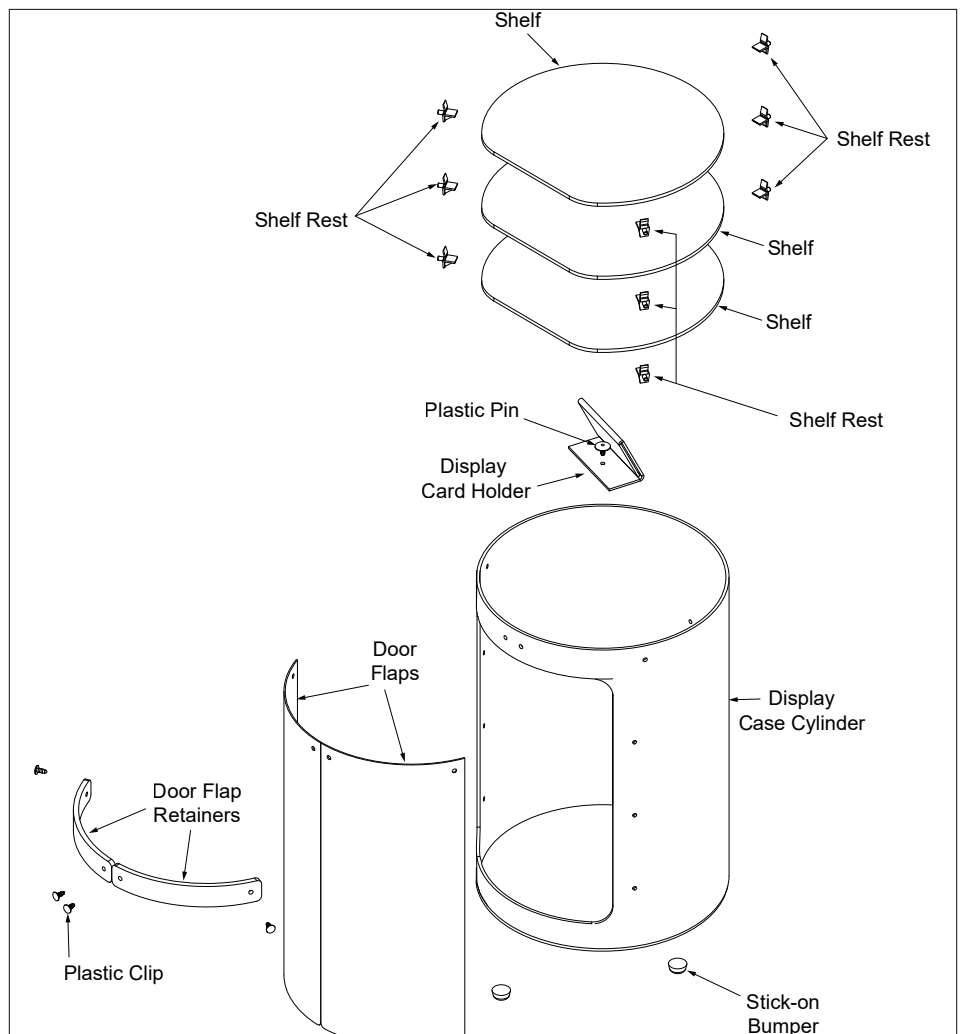


Figure 2. Components

Maintenance

Daily Cleaning

Follow these steps to clean the Display Case.

1. Remove food product from the display case and store properly.
2. Remove the shelves from the display case. Remove the crumbs from the shelves with a clean, sanitizer-soaked towel and dispose the crumbs into the trash receptacle.
3. Take the shelves to the 3-compartment sink to wash with hot, KAY® SolidSense™ All Purpose Super Concentrate (APSC) solution. For heavier soils, pre-spray with KAY® QSR Heavy Duty Degreaser solution prior to washing.
4. Rinse the shelves with clean, hot water at the 3-compartment sink.
5. Sanitize the shelves with KAY® SolidSense™ Sanitizer solution for one minute at the 3-compartment sink and allow to air dry.
6. Using a clean, sanitizer-soaked towel; sweep crumbs out of the display case and empty into the trash receptacle.
7. Spray and wipe the interior and exterior walls with KAY® APSC solution and a clean, sanitizer-soaked towel. For heavy soils, scrub the display case walls with a KAY® NO-SCRATCH™ Pad.
8. Clean the vinyl access flaps with a clean, sanitizer-soaked towel sprayed with KAY® APSC solution.

NOTE: Do NOT use an abrasive or non-abrasive pad (NO-SCRATCH Pad) on the vinyl access flaps due to potential scratching.

9. Rinse the interior and exterior walls and the vinyl access flaps with a separate, clean sanitizer-soaked towel.
10. Spray the interior and exterior walls and the vinyl access flaps with KAY® SolidSense™ Sanitizer solution and allow to air dry.
11. Reinstall the shelves and load food product.

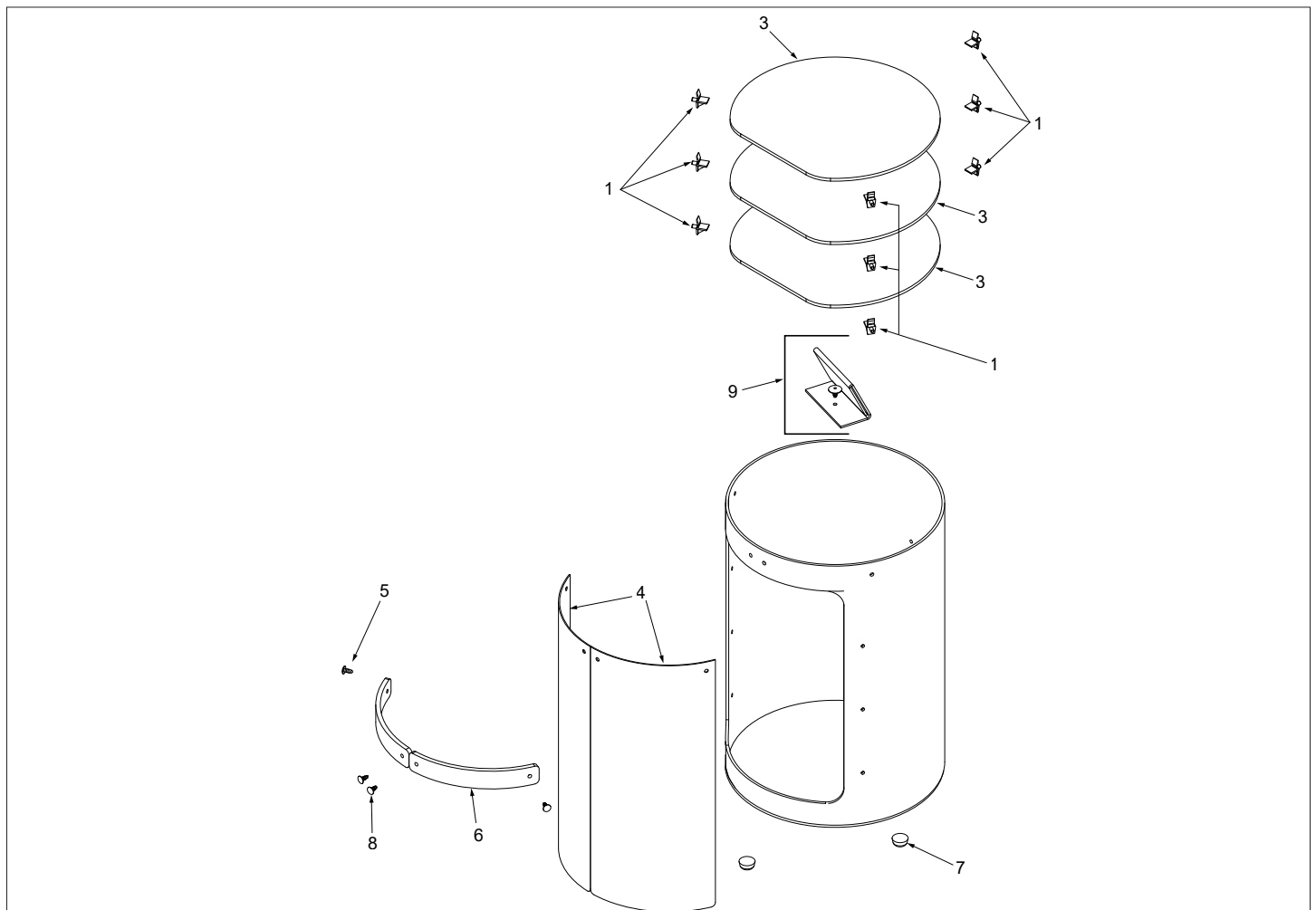
Replacement Parts

Parts List

(See Exploded Views for more information)

NOTICE			
Use only genuine Antunes replacement parts in this unit. Use of parts other than those supplied by the manufacturer will void the warranty.			
Item No.	Part #	Description	Qty.
1	7001362	Shelf Rest Kit	1
2	7001363	Acrylic Round Shell Kit	1
3	7001364	Door Flap Kit	1
4	7001365	Plastic Clip Kit	1
5	7001366	Door Flap Retainer Kit	1
6	7001367	Bumper, Stick-on Kit	1
7	7001368	Plastic Clip (Door Flap) Kit	1
8	7001369	Display Card Holder Kit	1
* Indicates that these products must be purchased in a package of 10.			

Exploded View #1



Limited Warranty

ANTUNES provides the following limited warranty to the original purchaser of all McDonald's Equipment.

Equipment manufactured by Antunes has been constructed of the finest materials available and manufactured to high quality standards. These units are warranted to be free from electrical and mechanical defects for a period of one (1) year from date of purchase under normal use and service, and when installed in accordance with manufacturer's recommendations. To insure continued operation of the units, follow the maintenance procedures outlined in the Owner's Manual. During the first 12 months, electromechanical parts, non-overtime labor, and travel expenses up to 2 hours (100 miles/160 km), round trip from the nearest Authorized Service Center are covered.

1. This warranty does not cover cost of installation, defects caused by improper storage or handling prior to placing of the Equipment. This warranty does not cover overtime charges or work done by unauthorized service agencies or personnel. This warranty does not cover normal maintenance, calibration, or regular adjustments as specified in operating and maintenance instructions of this manual, and/or labor involved in moving adjacent objects to gain access to the equipment. This warranty does not cover consumable/wear items. This warranty does not cover damage to the Load Cell or Load Cell Assembly due to abuse, misuse, dropping of unit/shock loads or exceeding maximum weight capacity (4 lbs). This warranty does not cover water contamination problems such as foreign material in water lines or inside solenoid valves. It does not cover water pressure problems or failures resulting from improper/incorrect voltage supply. This warranty does not cover Travel Time & Mileage in excess of 2 hours (100 miles/160 km) round trip from the nearest authorized service agency.
2. Antunes reserves the right to make changes in design or add any improvements on any product. The right is always reserved to modify equipment because of factors beyond our control and government regulations. Changes to update equipment do not constitute a warranty charge.
3. If shipment is damaged in transit, the purchaser should make a claim directly upon the carrier. Careful inspection should be made of the shipment as soon as it arrives and visible damage should be noted upon the carrier's receipt. Damage should be reported to the carrier. This damage is not covered under this warranty.
4. Warranty charges do not include freight or foreign, excise, municipal or other sales or use taxes. All such freight and taxes are the responsibility of the purchaser.
5. THIS WARRANTY IS EXCLUSIVE AND IS IN LIEU OF ALL OTHER WARRANTIES, EXPRESSED OR IMPLIED, INCLUDING ANY IMPLIED WARRANTY OR MERCHANTABILITY OR FITNESS FOR A PARTICULAR PURPOSE, EACH OF WHICH IS HEREBY EXPRESSLY DISCLAIMED. THE REMEDIES DESCRIBED ABOVE ARE EXCLUSIVE AND IN NO EVENT SHALL ANTUNES BE LIABLE FOR SPECIAL CONSEQUENTIAL OR INCIDENTAL DAMAGES FOR THE BREACH OR DELAY IN PERFORMANCE OF THIS WARRANTY.

The warranty does not extend to:

- Damages caused in shipment
- Installation of electrical service
- Installation, calibration, or adjustment
- Normal maintenance outlined in this manual
- Consumable parts such as egg rings, gaskets, rubber feet, labels, O-rings, light bulbs, etc.
- Malfunction resulting from improper service or maintenance
- Damage caused by improper installation, improper use, abuse, or careless handling
- Damage from moisture coming in contact with electrical components
- Damage from tampering with, removal of, or changing preset controls or safety devices
- Damage caused by parts or components not provided by Antunes



Corporate Headquarters

Carol Stream, Illinois
Phone: +1 (630) 784-1000
Toll Free: +1 (800) 253-2991
Fax: +1 (630) 784-1650

China Facility

Suzhou, China
Phone: +86-512-6841-3637
Fax: +86-512-6841-3907