

Place this manual in the Toaster section
of your Equipment Manual.
Manufactured exclusively for
McDONALD'S[®]

BY
ANTUNES
180 KEHOE BLVD.
CAROL STREAM, ILLINOIS 60188, U.S.A.
PHONE: +1-630-784-1000
TOLL FREE: +1-877-392-7854
FAX: +1-630-784-1650
www.antunes.com



HEBT-3V

Scan with mobile device or enter URL
for product and service information.

<http://tiny.cc/ajaHEBT3V>

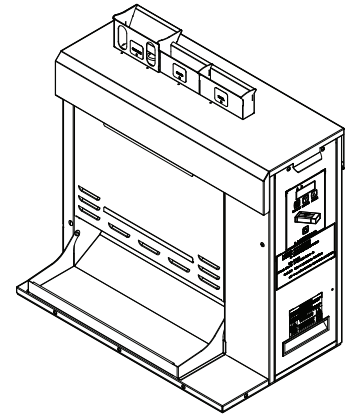


TABLE OF CONTENTS

Owner Information	2	Maintenance	8
General	2	Daily Cleaning	8
Service/Technical Assistance	2	Quarterly	11
Warranty Information	2	Clean Cooling Fans and Electrical Housings (Annually)	13
Specifications	3	Troubleshooting	14
Electrical Specifications & Plug Configuration	3	Replacement Parts	17
Dimensions	3	Wiring Diagram	24
Important Safety Information	4	Notes	25
Installation	5		
Unpacking.....	5		
Location	5		
Operation	6		
Operating Instructions	6		
User Mode	6		
Manager Mode	6		
Safety Features	7		

LIMITED WARRANTY

Antunes provides the following limited warranty to the original purchaser of all McDonald's Equipment.

All components are warranted against defects in the material and workmanship for a period of two (2) years. If any part becomes inoperable during the period of this warranty, Antunes will pay labor costs to an Authorized Service Agent to replace the part plus travel expenses.

WARRANTY EXCLUSIONS

- The cost of installation.
- Equipment that has been damaged due to shipment. Purchaser should make damage claim directly upon carrier.
- Alteration, misuse, abuse.
- Improper storage or handling.
- Improper maintenance.
- Failure to follow proper installation instructions, including electrical connection.

- Improper or unauthorized repairs.
- Scheduled Maintenance procedures as outlined in your MRC Card.
- Consumables such as Grill Covers (Release Sheets), gaskets, Conveyor Belt Wraps, O-rings, removal of links, and light bulbs.
- Freight, foreign, excise, municipal, or other sales or use taxes.
- Consequential damages such as loss of profit, loss of time, the cost of repairing or replacing other property which is damaged, or any other incidental damage of any kind.

Antunes reserves the right to make changes in design or add improvements on any products. The right is always reserved to modify Equipment because of factors beyond our control and government regulation. Changes to Equipment do not constitute a warranty charge.

This warranty is exclusive and is in lieu of all other warranties, expressed or implied, including any implied warranty of merchantability or fitness for a particular purpose, each of which is expressly disclaimed. The remedies described above are exclusive, and in no event shall Antunes or any of its Divisions be liable for special consequential or incidental damages for the breach or delay in the performance of this warranty.

This manual is for the exclusive use of licensees and employees of McDonald's Systems, Inc..

© McDonald's Corporation All Rights Reserved

HEBT-3V BUN TOASTER

OWNER INFORMATION

General

This manual provides the safety, installation, and operating procedures for this unit. Please read this manual prior to installing and operating the unit.

This unit is manufactured from the finest materials available and assembled to Antunes' strict quality standards. This unit has been tested at the factory to ensure dependable trouble-free operation.

Service/Technical Assistance

If you experience any problems with the installation or operation of your unit, contact Antunes Technical Service at +1-877-392-7854 (toll free).

Warranty Information

Please read the full text of the Limited Warranty in this manual.

If the unit arrives damaged, contact the carrier immediately and file a damage claim with them. Save all packing materials when filing a claim. Freight damage claims are the responsibility of the purchaser and are not covered under warranty.

The warranty does NOT extend to:

- Damages caused in shipment or damage as result of improper use.
- Installation of electrical service.
- Normal maintenance as outlined in this manual.
- Malfunction resulting from improper maintenance.
- Damage caused by abuse or careless handling.
- Damage from moisture into electrical components.
- Damage from tampering with, removal of, or changing any preset control or safety device.

Fill in the information below and have it handy when calling Antunes Technical Service for assistance. The serial number is on the specification plate located on the rear of the unit.

Purchased From: _____

Date of Purchase: _____

Model No.: _____

Serial No.: _____

Mfg. No.: _____

Network ID Number: _____

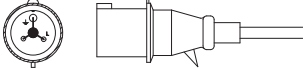
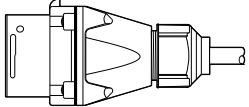
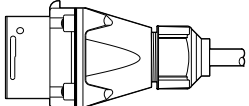
Use only genuine Antunes replacement parts in this unit. Use of replacement parts other than those supplied by the manufacturer will void the warranty.

IMPORTANT! Keep these instructions for future reference. If the unit changes ownership, be sure this manual accompanies the equipment.

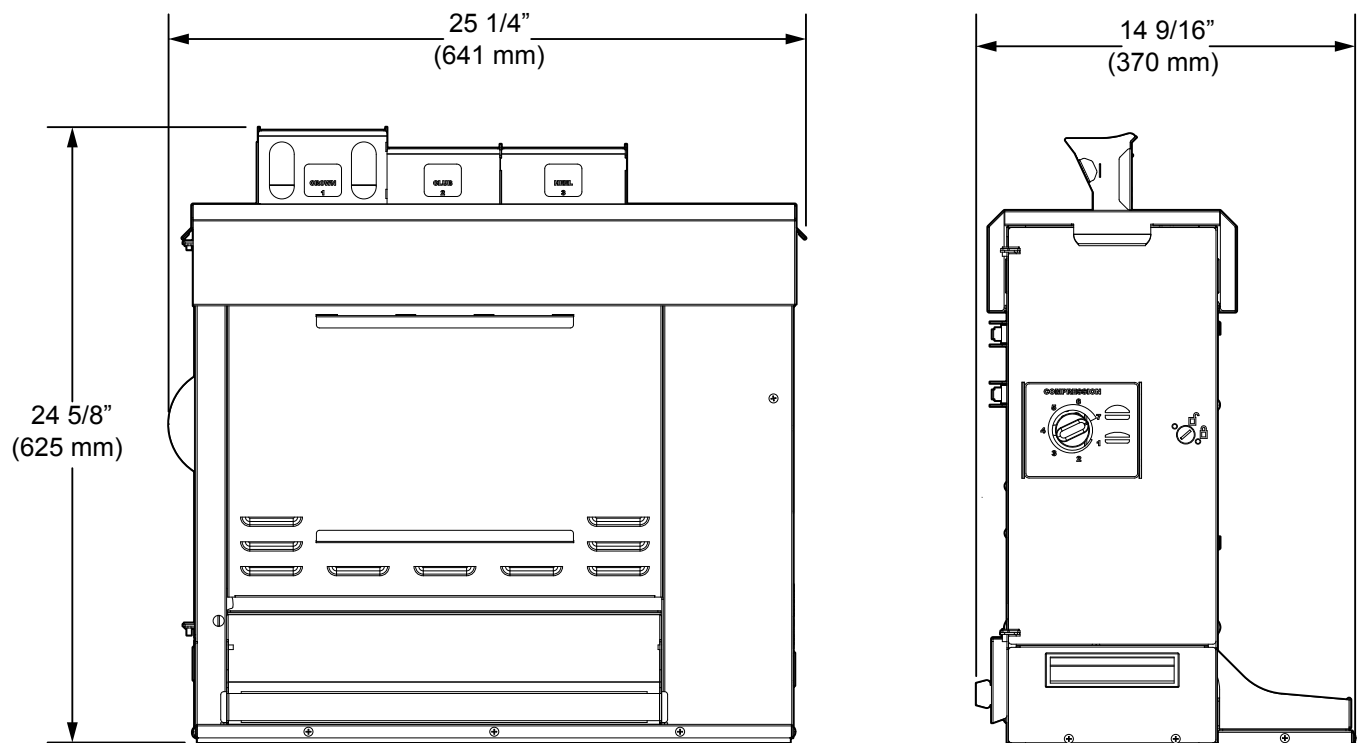
HEBT-3V BUN TOASTER

SPECIFICATIONS

Electrical Specifications & Plug Configuration

Model & Mfg. No	Volt	Watts	Hz.	Plug Description	Plug Configuration
HEBT-3V 9210859 (Korea) 9210861 (Europe)	220-240	3300	50/60	IEC-309 Pin & Sleeve, 16 Amp., 230 Volt	
HEBT-3V 9210860 (Australia)	220-240	3180-3750	50/60	Marechal Pin & Sleeve 32 Amp., 220-250 Volt	
HEBT-3V 9210863 (New Zealand)	220-240	3180-3750	50/60	Marechal Pin & Sleeve 32 Amp., 220-250 Volt	

Dimensions



⚠ CAUTION ⚠

All electrical connections must be in accordance with local electrical codes and any other applicable codes.

HEBT-3V BUN TOASTER

IMPORTANT SAFETY INFORMATION

In addition to the warnings and cautions in this manual, use the following guidelines for safe operation of the unit.

- Read all instructions before using equipment.
- For your safety, the equipment is furnished with a properly grounded cord connector. Do NOT attempt to defeat the grounded connector.
- Install or locate the equipment only for its intended use as described in this manual. Do NOT use corrosive chemicals in and/or on this equipment.
- Do NOT operate this equipment if it has a damaged cord or plug, if it is not working properly, or if it has been damaged or dropped.
- This equipment should be serviced by qualified personnel only. Contact the nearest Authorized Service Agency for adjustment or repair.
- Do NOT block or cover any openings on the unit.
- Do NOT immerse cord or plug in water.
- Keep cord away from heated surfaces.
- Do NOT allow cord to hang over edge of table or counter.
- Do NOT clean this appliance with a water jet.

The following warnings and cautions appear throughout this manual and should be carefully observed.

- Turn the unit off, wait for the cool-down procedure to complete its cycle, and disconnect the power cord before performing any service or maintenance on the unit.

NOTE: Turning off the power switch does NOT turn off all power to the unit. When the unit is plugged in and turned off, an LED light flashes to indicate that the power cord is plugged in.

- The procedures in this chapter may include the use of chemical products. These chemical products will be highlighted with bold face letters followed by the abbreviated **HCS** (Hazard Communication Standard). See Hazard Communication Standard manual for the appropriate Material Safety Data Sheets (MSDS).
- The equipment should be grounded according to local electrical codes to prevent the possibility of electrical shock. It requires a grounded receptacle with separate electrical lines, protected by fuses or circuit breaker of the proper rating.

- Bread may burn. Therefore toasters must not be used near or below curtains or other combustible walls and materials. Failure to maintain safe operating distances may cause discoloration or combustion.

⚠ WARNING ⚠

To avoid possible personal injury and/or damage to the unit, all inspections, tests, and repair of electrical equipment should be performed by QUALIFIED SERVICE PERSONNEL. The unit MUST be completely shut down and unplugged before any internal servicing, except when electrical tests are required. Use extreme care during electrical circuit tests. Live circuits will be exposed.

⚠ CAUTION ⚠

All electrical connections must be in accordance with local electrical codes and any other applicable codes.

⚠ CAUTION ⚠

Bread may burn. Therefore toasters must not be used near or below curtains or other combustible walls and materials. Failure to maintain safe operating distances may cause discoloration or combustion.

⚠ CAUTION ⚠

NEVER unplug the power cord while the unit is running! Use the proper shutdown procedure before unplugging the power cord.

⚠ WARNING ⚠

ELECTRICAL SHOCK HAZARD. FAILURE TO FOLLOW THE INSTRUCTIONS IN THIS MANUAL COULD RESULT IN SERIOUS INJURY OR DEATH.

- Electrical ground is required on this appliance.
- Do NOT modify the power supply cord plug. If it does not fit the outlet, have a proper outlet installed by a qualified electrician.
- Do NOT use an extension cord with this appliance.
- The toaster should be grounded according to local electrical codes to prevent the possibility of electrical shock. It requires a grounded receptacle with separate electrical lines, protected by fuses or circuit breaker of the proper rating.
- Check with a qualified electrician if you are unsure if the appliance is properly grounded.

INSTALLATION

Unpacking

1. Open the large box. It contains:
 - HEBT-3V toaster
 - Accessories box
2. Remove the accessories box from the large box.
3. With the help of another person, carefully remove the HEBT-3V from the large box.
4. Remove all protective coverings from the unit.
5. Open the Accessories Box. It contains:
 - Owner's Manual
 - Bun Buffer Frame
6. Wipe the entire exterior of the toaster and the accessories mentioned above with a clean towel sprayed with a McDonald's approved sanitizer. Allow to air dry.

NOTE: Handle accessories with care. If an accessory becomes bent or damaged, it may not attach to the unit correctly, which may affect normal operation.

NOTE: If any parts are missing or damaged, contact Antunes Customer Service IMMEDIATELY at +1-877-392-7856 (toll free).

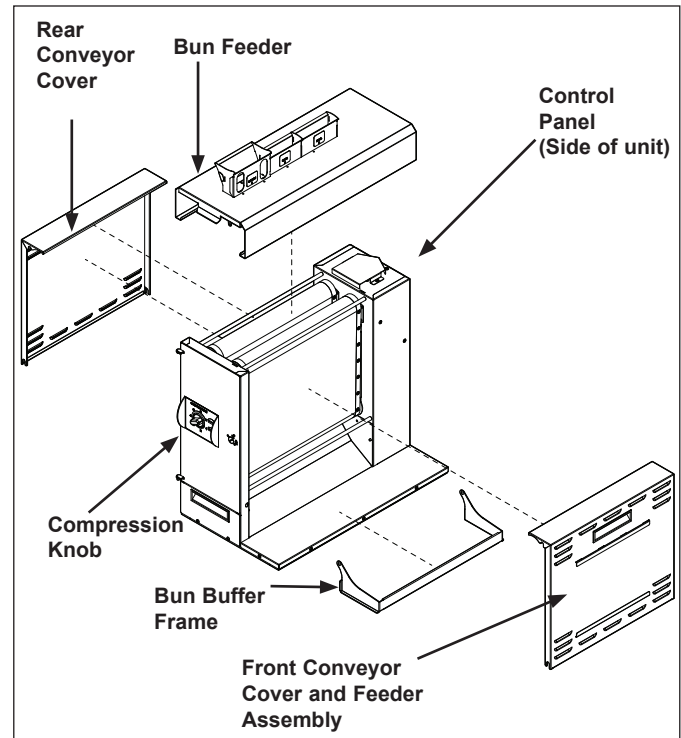


Figure 1. HEBT-3V Components

Location

When placing the toaster into service, pay attention to the following guidelines:

- Make sure power is off and the toaster is at room temperature.
 - Do NOT block or cover any openings on the unit.
 - Do NOT immerse cord or plug in water.
 - Keep cord away from heated surfaces.
 - Do NOT allow cord to hang over edge of table or counter.
1. Place the toaster in the required position designated by McDonald's.
 2. Attach the Bun Feeder, Bun Buffer Frame, and Crown\Heel Separator accessories (Figure 1.)
 3. Plug the power cord into an appropriate power outlet. Refer to the specification plate for the proper voltage.

HEBT-3V BUN TOASTER

OPERATION

Operating Instructions

The HEBT-3V toasts Crowns, Heels, Clubs, and other products. Follow these steps to start the HEBT-3V:

1. Turn on the toaster and wait for warm-up to complete.
2. Set the Compression Knob to 4 (recommended). If further adjustments are required see page 8 under Adjusting Toast Quality. Refer to the figure on page 7.
3. When the unit reaches operating temperature, the control panel displays "Ready".
4. Insert product into the designated area of the Bun Feeder Assembly with the cut side of the bun facing towards the front. Toasted product drops into the Bun Buffer.

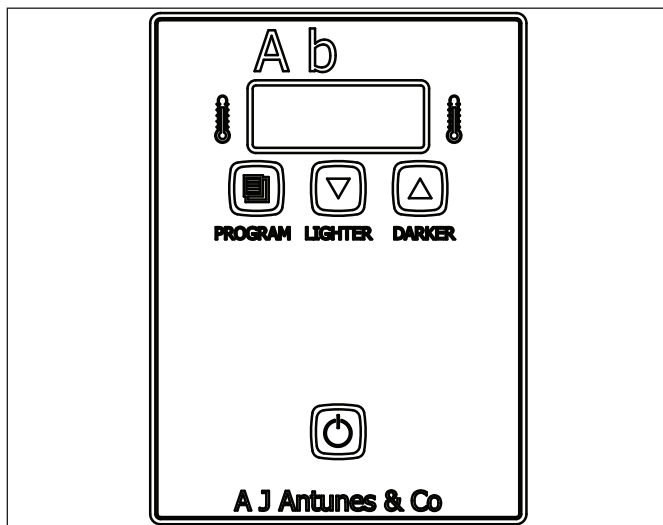


Figure 2. HEBT-3V Control Panel and Display

User Mode

User Mode allows an operator to view the toaster settings but does not permit any adjustments.

1. Press and hold the **PROGRAM** button for 5 seconds. After 5 seconds, the display will show the actual temperature of Platen A (front).
2. Press the **LIGHTER** button to toggle between the setpoint and actual temperature of Platen A (front).
3. Press the **PROGRAM** button to proceed to the Front Platen Heater menu. The display shows the actual temperature of Platen B (rear).
4. Press the **LIGHTER** button to toggle between the setpoint and actual temperature of Platen B (rear).
5. Press the **PROGRAM** button to proceed to the Motor Menu. The display shows the actual speed of the motor.
6. Press the **LIGHTER** button to toggle between the setpoint and actual speed of the Motor.

NOTE: The unit will exit User Mode after 5 seconds of keypad inactivity.

Manager Mode

Manager Mode allows an operator to view and adjust the following settings:

- Platen A Temperature
- Platen B Temperature
- Motor Speed
- Temperature Units (Celsius or Fahrenheit)
- Current Selection: 208 or 240 volts

Manager Mode also allows an operator to view (but not adjust) the Ambient Temperature of the Control Compartment as well as the number of days of operation.

1. Turn the unit off.
2. Turn the power on while holding the **PROGRAM** button. Hold the button for 5 seconds until the display shows "EnA." Release the button.
3. To adjust the Platen A (front) Setpoint Temperature, press the **LIGHTER** or **DARKER** buttons to reach the desired temperature.

NOTE: The recommended temperature setting for Platen A (front) is 271° C (520° F).

OPERATION (continued)

4. Press the **PROGRAM** button to proceed to the Platen B (rear) Setpoint Temperature.
5. To adjust the Platen B (rear) Setpoint Temperature, press the **LIGHTER** or **DARKER** buttons to reach the desired temperature.

NOTE: The recommended temperature setting for Platen B (rear) is 271° C (520° F).

6. Press the **PROGRAM** button to procedure to the Motor Speed Setpoint.
7. Adjust the Motor Speed Setpoint by pressing the **LIGHTER** or **DARKER** buttons to reach the desired speed.

NOTE: The Motor Speed is adjustable from 1-100. The recommended setting is 66.

8. Press the **PROGRAM** button to proceed to the Temperature Units.
9. To change the Temperatures units from Fahrenheit or Celsius, press the **LIGHTER** or **DARKER** buttons.
10. Press the **PROGRAM** button to proceed to the Ambient Temperature of the Control Compartment.

NOTE: No changes can be made to the Ambient Temperature of the Control Compartment. Temperatures under 150° F (66° C) are acceptable.

11. Press and hold the **PROGRAM** button to save any changes.

NOTE: The unit exits Manager Mode after 30 seconds of keypad inactivity.

There are variations in bun products Worldwide that are used on the Antunes HEBT toaster such as moisture content, bun formulations, age, tolerances etc. The HEBT was designed to compensate for bun variations by allowing user to adjust the compression, light/dark (speed) & temperatures settings in order to achieve a Gold Standard toasted product.

1. LIGHT DARK ADJUSTMENT: Adjust the light dark setting with the ▲ or ▼ buttons. The default light/dark setting on the HEBT from the factory is 0 but can be adjusted from Lighter 0-10 to Darker 0-10. Light 10 is the lightest setting and dark 10 is the darkest. Each increase in "lighter" value will increase the pass through time and each increase in "darker" value will decrease the pass through time.

Safety Features

HI-LIMIT CONTROL

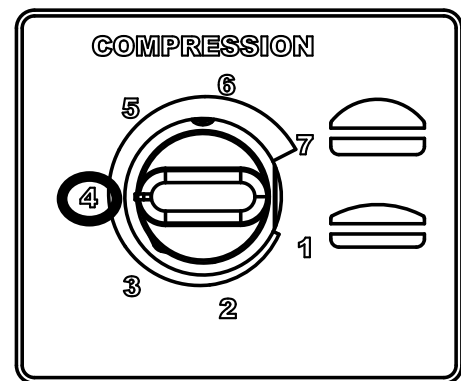
A Hi-Limit Control turns off electrical power to the heaters and control circuits if the unit overheats. To reset the control:

1. Allow 10 - 15 minutes for the unit to cool.
2. Locate the two Hi-Limit Controls on the rear of the unit. Remove the two black protective caps.
3. Press and release both buttons. Reinstall the protective caps.

NOTE: If the Hi-Limit Controls require continuous resetting, contact your Authorized Service Agency.

Purging buns from Toaster

If buns get stuck in the toaster, press and hold both the **UP** and **DOWN** arrow buttons to increase the belt speed until the buns are purged from the toaster.



2. TEMPERATURE ADJUSTMENT: Adjust the set point temperature on the platens in the program menu. The default temperature settings on the HEBT are A Platen: 271°C (520°F) and B Platen: 271°C (520°F). The temperatures can be increased to +/- 50°F (10°C) if needed to achieve an acceptable toast quality.

3. COMPRESSION ADJUSTMENT: Adjust the compression knob on the left side of the unit. The default compression setting on the HEBT is 4 but is adjustable from 1-7. It is acceptable to adjust the compression from 1-7 as needed to achieve the desired toast quality and bun compression.

HEBT-3V BUN TOASTER

MAINTENANCE

Daily Cleaning

Clean the Toaster and Belt Wraps

1. Turn the toaster's power switch to the off position. The toaster enters a cool-down mode and will automatically shut down when complete.
2. Remove the bun feeder and bun stop with heat-resistant gloves.
3. Remove the front and rear conveyor covers with heat resistant gloves.
4. Inspect the front belt for any tears, discoloration, or damage to the Belt Wrap snaps. Replace any damaged Belt Wrap as needed. With proper maintenance the belt can last six months or longer. Refer to PR 68 Q1 and PR 68 Q2 for belt replacement instructions.
5. If the front belt is in good condition, spray a clean, damp sanitized towel with Sink Detergent solution. Wipe the front belt clean. Rinse the front belt with a separate clean, damp sanitized towel. Allow to air dry.

NOTE: The belt rollers will continue turning while in cool-down mode. This allows you to clean the entire belt. Only clean the belt where it is in front of the Backing Plate to avoid causing damage to the belt. Repeat this step several times if there is heavy carbon buildup on the conveyor belt.

6. Inspect the rear belt for any tears, discoloration, or damage to the Belt Wrap snaps. Replace any damaged Belt Wrap as needed. With proper maintenance the belt can last six months or longer. Refer to PR 68 Q1 and PR 68 Q2 for belt replacement instructions.
7. If the rear belt is in good condition, spray a clean, damp sanitized towel with Sink Detergent solution. Wipe the rear belt clean. Rinse the rear belt with a separate clean, damp sanitized towel. Allow to air dry.

NOTE: The belt rollers will continue turning while in cool-down mode. This allows you to clean the entire belt.

NOTE: Only clean the belt where it is in front of the Backing Plate to avoid causing damage to the belt.

8. Wash, rinse, and sanitize the bun feeder and bun stop in the three-compartment sink. Allow to air dry.
9. Wash, rinse, and sanitize the front and rear conveyor covers in the three-compartment sink.
10. Reinstall the clean front and rear conveyor covers.
11. Reinstall the clean bun feeder and clean bun stop.
12. Clean the outside surfaces of the toaster with clean, damp sanitized towel sprayed with Heavy Duty Degreaser Solution. Rinse with a clean, sanitizer soaked towel and allow to air dry.
13. Turn the unit on.
14. Place all used towels into the soiled towel bucket.

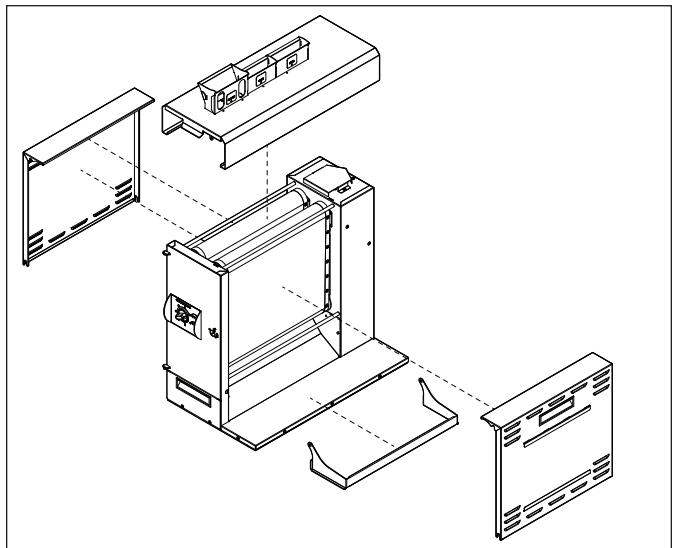


Figure 3.

MAINTENANCE (continued)

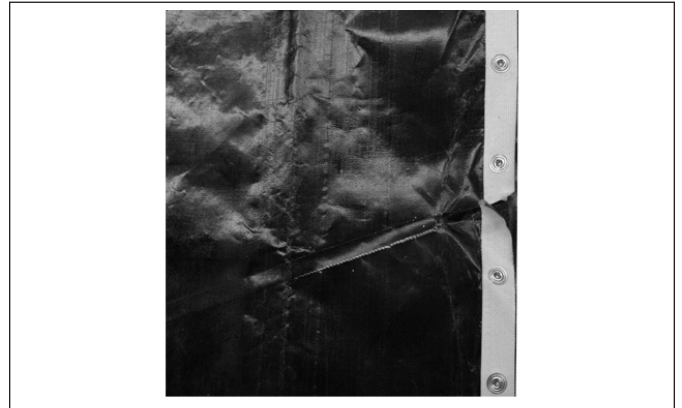


Figure 4. Examples of Damaged Belts

MAINTENANCE (continued)

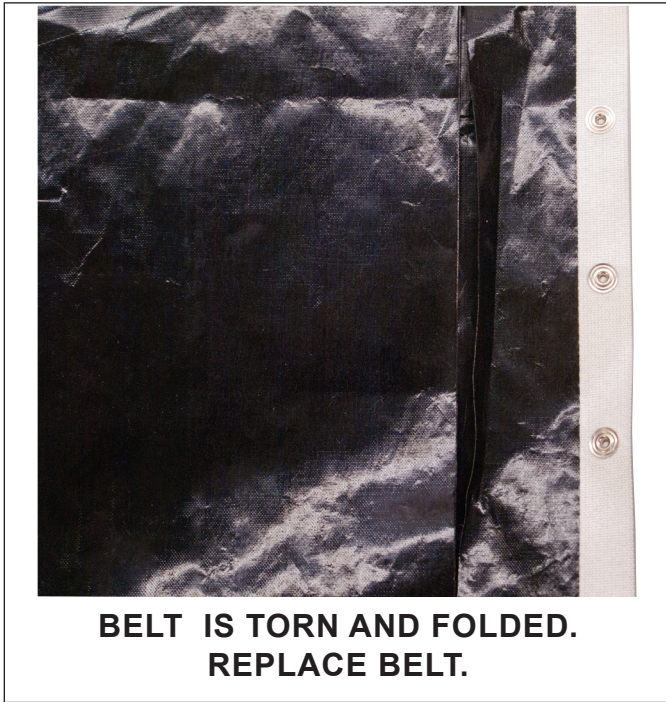


Figure 5. Example of Damaged Belt



Figure 6. Example of Damaged Belt

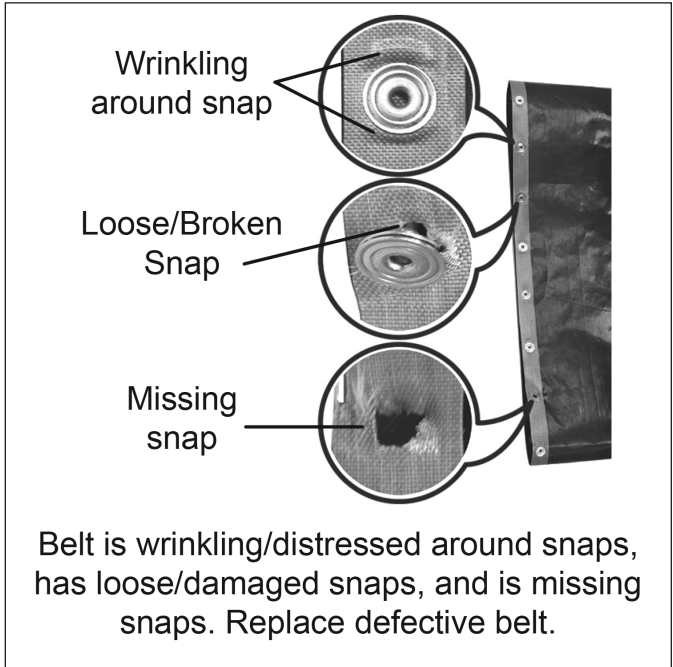


Figure 7. Example of Damaged Belt

MAINTENANCE (continued)

Quarterly

Remove Belt Wraps and Clean Rollers

1. Turn the toaster's power switch to the off position. The toaster enters a cool-down mode and will automatically shut down when complete.
2. Unplug the power cord once the cool-down period is complete.

NOTE: Wait for the cool-down period to complete before unplugging the power cord.

3. Remove the bun feeder using heat-resistant gloves.
4. Remove the front and rear conveyor covers by lifting up and away from the unit. Set the compression knob to 7.

NOTE: Reposition the toaster as needed to perform these steps.

5. Unlock the lock on the left side panel with a flat-head screwdriver and open the panel. Set the bun compression knob to 7.
6. Push down on the front and rear belt rollers and move them away from the center of the toaster. Use both hands. This removes tension and locks the rollers in place.
7. Lift the upper belt frame lock. Then rotate down so it rests on the camshaft of the rear belt roller.
8. Pull down the lower belt frame lock. This provides access to the front and rear belt rollers and belts.
9. Carefully remove both of the belts from the toaster.
10. Wipe all four rollers and backing plates with a clean, damp sanitized towel. Make sure to remove all debris from the rollers and the backing plates so they are as clean as possible.
11. Use a dry cloth towel or nylon-bristled brush to remove all debris from both side compartments, inside of the toaster, and underneath the rollers.

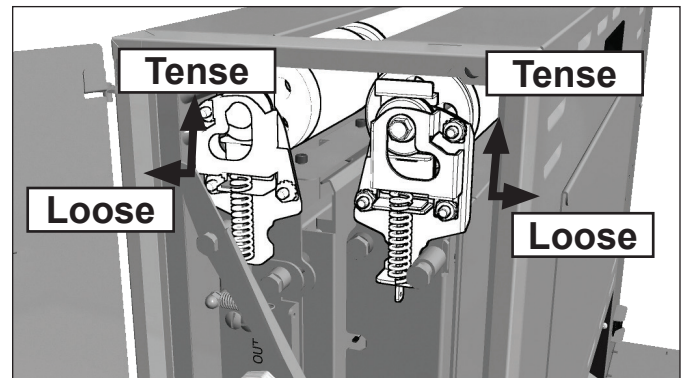


Figure 8. Conveyor Rollers

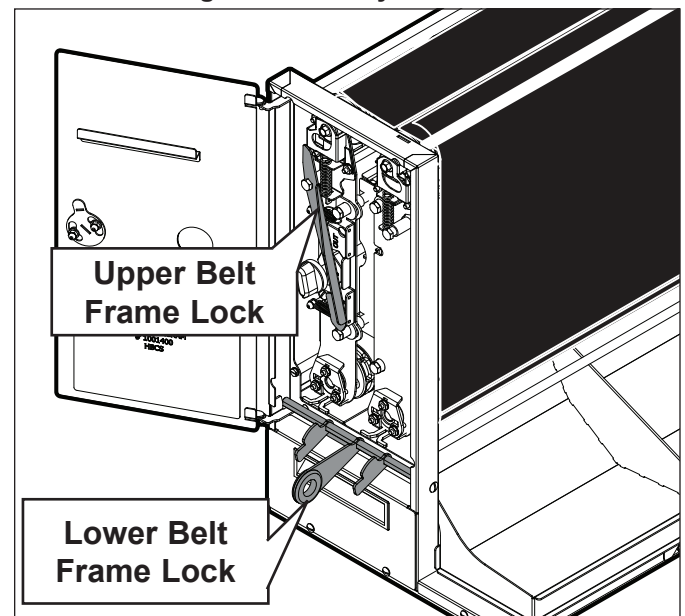


Figure 9. Conveyor Locks

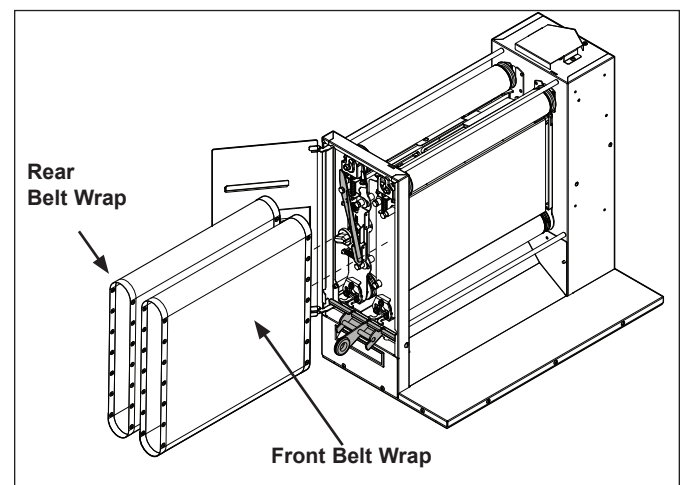


Figure 10. Belt Wraps

HEBT-3V BUN TOASTER

MAINTENANCE (continued)

Install Belt Wraps

1. If you are installing the existing belt wraps, inspect the belts. Replace belt wraps if worn or damaged. If the belt wraps are in good condition put them back on the toaster.
2. For new or existing belts, wipe both sides of the belts with a clean, damp sanitized towel. Allow to air dry.
3. Slide the belts gently over the appropriate top and bottom roller. Make sure the belt lines up properly on the rollers. The snaps on the belts should face the inside of the roller.
4. Lift up the front and rear belt roller. Use both hands. This will add tension and lock them in place.
5. Lift the lower conveyor lock to lock the rollers into place.

NOTE: Lift up on the camshaft of the rear conveyor roller while lifting the conveyor lock.

6. Lift the upper belt frame lock and lock in place on the conveyor assembly. Set the compression knob to 4.
7. Close the side panel and lock the lock using a flathead screwdriver on the side panel.
8. Re-install the front and rear conveyor covers so they lock into place.
9. Re-install the bun feeder and bun stop onto the top of the unit.
10. Plug in the power cord and turn the unit on.

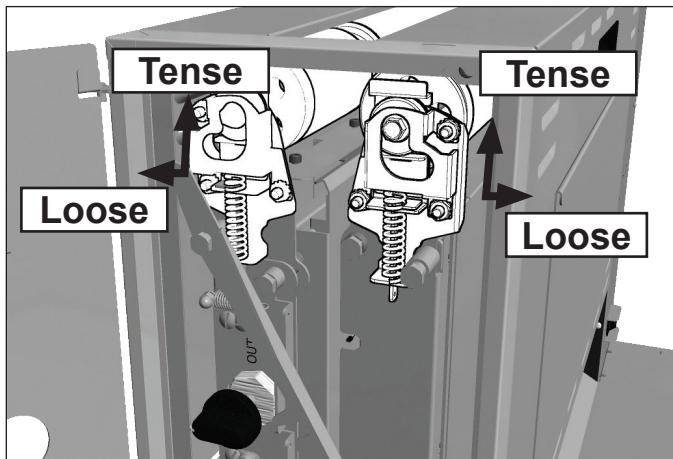


Figure 11. Conveyor Rollers

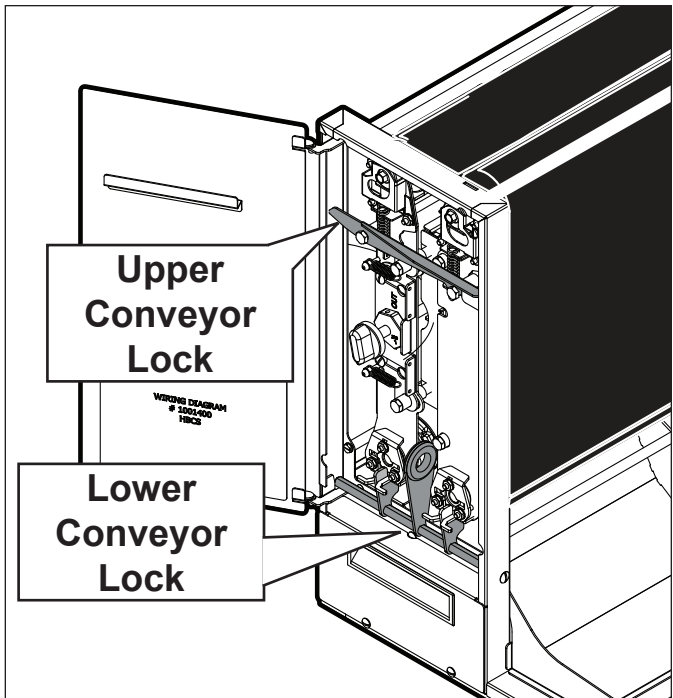


Figure 12. Conveyor Locks

MAINTENANCE (continued)

Clean Cooling Fans and Electrical Housings (Annually)

1. Turn the toaster's power switch to the off position. The toaster enters a cool-down mode and will automatically shut down when complete. Unplug the power cord.
2. Remove the bun feeder and set aside.
3. Remove the top two screws from the control housing cover and slowly lower the cover.
4. Remove any debris or dust from the cooling fan with a small brush. Wipe away any debris with a clean, dry towel. Inspect the electrical compartment for crumbs and debris. Clean out all crumbs and debris using a clean, dry towel or nylon bristled brush. Be careful not to disrupt any of the electrical wiring.
5. Slowly close the control housing cover. Reconnect with the screws.
6. Remove the screws from the bottom plate on the rear of the unit and slowly lower the cover.
7. Remove any debris or dust from the cooling fan with a small brush. Wipe away any debris with a clean, dry towel. Inspect the electrical compartment for crumbs and debris. Clean out the crumbs and debris using a clean, dry towel or nylon bristled brush. Be careful not to disrupt any of the electrical wiring.
8. Close the bottom plate and re-install the screws.
9. Reattach the bun feeder. Plug in the power cord, turn the power on, and test the unit before returning it to service.

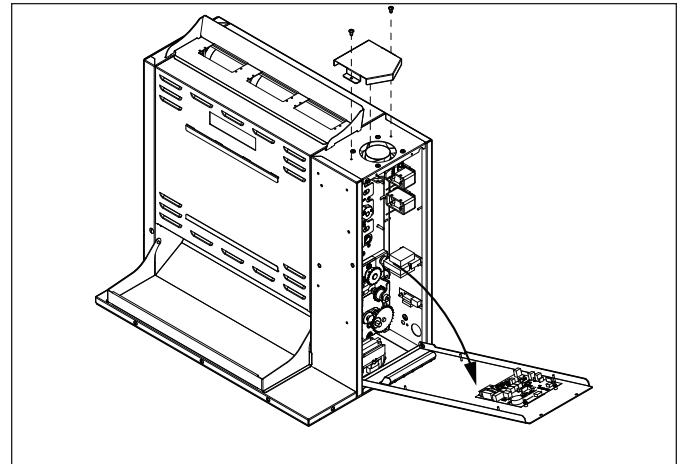


Figure 13. Accessing Top Cooling Fan

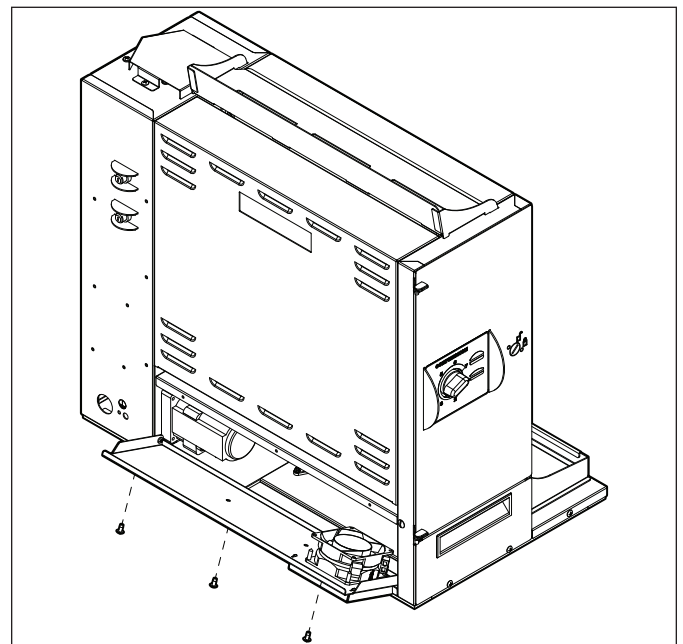


Figure 14. Accessing Rear Cooling Fan

HEBT-3V BUN TOASTER

TROUBLESHOOTING

Problem	Possible Cause	Corrective Action
Control Display flashes Err 5 continuously. Buns not toasting properly.	The A Platen temperature has not reached the setpoint temperature within 20 minutes.	Allow the unit to warm up for 30 minutes and then recheck. If the Control Display still flashes Err 5 , contact your maintenance person or Antunes Technical Service for service.
	Failed A Platen Thermocouple.	Contact your maintenance person or Antunes Technical Service for service.
	Failed Control Board	
Control Display flashes Err14 continuously. Buns not toasting properly.	The B Platen temperature has not reached the setpoint temperature within 20 minutes.	Allow the unit to warm up for 30 minutes and then recheck. If the Control Display still reads Err 14 , contact your maintenance person or Antunes Technical Service for service.
	Failed Rear Platen Thermocouple.	Contact your maintenance person or Antunes Technical Service for service.
	Failed Control Board.	
Control Display flashes Err 9 continuously.	Control Compartment ambient temperature is above 150° F (66° C)	Verify side vents on toaster are unblocked and not near other heating appliances. If problem persists, contact your maintenance person or Antunes Technical Service for service.
	Failed Cooling Fan.	
	Failed Control Board	
Control Display Flashes Err 19 continuously. Buns Burn.	Failed A Platen Solid State Relay.	Contact your maintenance person or Antunes Technical Service for service.
	Failed Control Board.	
	Failed A Platen Thermocouple.	
Control Display flashes Err 18 continuously. Buns Burn.	Failed B Platen Solid State Relay.	Contact your maintenance person or Antunes Technical Service for service.
	Failed Control Board.	
	Failed B Platen Thermocouple.	
Control Display flashes Err 13 continuously. Buns not toasting properly.	Loose A Platen Thermocouple connection on Control Board or the Front Platen Thermocouple is open.	Re-secure the A Platen Thermocouple to the Control Board. If the Control Display still reads Er 13 , check the front Thermocouple for continuity. Contact your maintenance person or Antunes Technical Service for service.
	Failed Control Board.	
Control Display flashes Err 11 continuously. Buns not toasting properly.	Loose B Platen Thermocouple connection on Control Board or the Rear Platen thermocouple is open.	Re-secure the B Platen Thermocouple connection to the Control Board. If the Control Display still reads Er 11 , check the Rear Thermocouple for continuity. Contact your maintenance person or Antunes Technical Service for service.
	Failed Control Board.	
Control Display flashes Err 12 continuously. Buns not toasting properly.	Shorted A Platen Thermocouple to ground.	Disconnect and re-secure the A Platen Thermocouple connection to the Control Board. If the Control Display still reads Er 12 , check the Rear Thermocouple for continuity. Contact your maintenance person or Antunes Technical Service for service.
	Failed Control Board	
Control Display Flashes Err 10 continuously. Buns not toasting.	Shorted B Platen Thermocouple to ground.	Re-secure the B Platen Thermocouple connection to the Control Board. If the Control Display still reads Er 10 , check the Rear Thermocouple for continuity. Contact your maintenance person or Antunes Technical Service for service.
	Failed Control Board.	

TROUBLESHOOTING (continued)

Problem	Possible Cause	Corrective Action
Control Display flashes Err 20 .	Mechanical bind in one or both conveyors.	Enter "user mode" to check the motor speed. Check both conveyors for mechanical binds. Test the motor. Replace necessary parts. Contact your maintenance person or Antunes Technical Service for service.
	Worn or damaged Ball Bearings.	
	Drive chain or sprockets damaged.	
	Failed Motor.	
	Failed Control Board.	
Control Display flashes Err 8	Motor is running when it shouldn't be.	Contact your maintenance person or Antunes Technical Service for service.
Crowns and/or Heels must be forced into the toaster. Buns sticking and burning.	Belts not cleaned properly.	Clean the Belts as described in the Maintenance section of this manual.
	Belts are dirty, worn, or damaged (replace every 4-6 months).	Clean or replace Belts as described in the Maintenance section of this manual.
Buns not toasting adequately.	One of the Conveyor top shafts is stuck in the lower lock position.	Inspect positions of the shafts as described in the Maintenance section of this manual.
	Either both Upper/Lower Conveyor locks are not properly locked in place.	Inspect the proper position of the locks as described in the Maintenance section of this manual.
Compression side door will not close.	Either both Upper/Lower Conveyor Locks are not properly locked in place.	Inspect the proper position of the locks as described in the Maintenance section of this manual.
	The lock on the Compression Side Door is in the locked position when trying to close the door.	Turn the lock to the unlocked position before closing the door.
Fan is making an unusual sound.	Failed Cooling Fan.	Verify vents on toaster are unblocked and not near other heating appliances. Clean fans as described in the Maintenance section of this manual. If problem persists, contact your maintenance person or Antunes Technical Service for service.
	Cooling Fan is dirty and needs to be cleaned.	
Control Display flashes Err 17 continuously. Buns are not toasting properly.	A platen Hi-Limit Control is tripped.	Allow the unit to cool and reset the A platen Hi-Limit Control. If it trips again, contact your maintenance person or Antunes Technical Service for service.
Control Display flashes Err 16 continuously. Buns are not toasting properly.	B Platen Hi-Limit Control is tripped.	Allow the unit to cool and reset the B platen Hi-Limit Control. If it trips again, contact your maintenance person or Antunes Technical Service for service.
Control Display is blank.	Power Cord is not plugged in.	Plug the Power Cord into the appropriate outlet. Turn the toaster on. If the Control Display is still blank, contact your maintenance person or Antunes Technical Service for service.
	Circuit Breakers turned off or tripped. Damaged electrical outlet, plug, or Power Cord. Power Switch damaged.	Reset Circuit Breakers. If they trip again, check the Power Cord, Plug, and outlet for damage. Contact your maintenance person, Authorized Service Agency, and Electrician for service.
	Faulty Transformer.	Replace Transformer.

HEBT-3V BUN TOASTER

TROUBLESHOOTING (continued)

Problem	Possible Cause	Corrective Action
Conveyors not turning.	Motor Drive Chain is detached from sprockets.	Reinstall the Drive Chain.
	Drive Chain needs lubrication.	Lubricate Drive Chain with Lubit-8 (P/N 2140152).
	Failed Drive Motor.	Contact your maintenance person or Antunes Technical Service for service.
Control Display flashes Err 1, 2, 3, 5, 6, 7, or any number above Err 20.	Internal Control Board fault.	The Control Board needs to be replaced. Contact your maintenance person or Antunes Technical Service for service.

HEBT-3V BUN TOASTER

REPLACEMENT PARTS

Item	Part No.	Description	Qty.	Item	Part No.	Description	Qty.
1	0012603	Sprocket / Tensioner Bracket Assy	1	48	2140109	Loctite # 242 (Blue)	2
2	0012592	Sprocket /Bearing Assembly	1	49	2150316	Sprocket, 25B12 3/8" Bore	1
3	0506185	Bracket, Chain Tensioner	1	50	310P199*	Scr, #10-32 X 3/8 LG Socket HD Cap	1
4	2140109	Loctite # 242 (Blue)	1	51	4000186	Motor, 230V	1
5	3310101	Nut, Hex 5/16 - 18	1	52	0013184	Cam Brkt & Thrust Strip Assy, Rh	1
6	3310103	Shoulder Bolt 3/8" X 1"	1	53	7001628	End Cover Assembly Kit	1
7	3310106	Lock Washer	1	54	0013217	Bun Feeder Assembly	1
8	0012604	Sprocket / Retainer Assy	1	55	0013250	Electrical Panel Assembly	1
9	0012592	Sprocket /Bearing Assembly	1	56	0022185	Electrical Panel Wldmnt	1
10	0506146	Retainer Idler	1	57	0506170	Fan Cover	1
11	2120118	Washer, Flat	1	58	1000900	Label - Warning	1
12	2140109	Loctite # 242 (Blue)	2	59	1001213	Label - Shock Hazard	1
13	331P101*	Nut, Hex 5/16 - 18	1	60	21000-0043	Spacer, 3/8 CBS Thread Female	2
14	3310103	Shoulder Bolt 3/8" X 1"	1	61	308P124*	Screw, Mach One-Way #8-32	1
15	331P106*	Lock Washer	1	62	308P143*	Nut, Hex 'Keps' #8-32	1
16	0012814	Cam Bracket And Thrust Strip Assembly, LH	1	63	310P213*	Screw, Phpnhd #10-16 X 3/4" Thrd Form	1
17	0013167	Housing Assembly	1	64	4000202	Fan, Axial - 230V, Metal Hsg & Imp	1
18	0013166	Base / Heater Assembly	1	65	4050236	Contactora, 2 Pole No	1
19	0021689	Weldment, End Housing	1	66	4070198	Snubber Board	1
20	0021714	Weldment, End Housing Rod Support	1	67	0013307	Control Cover Assembly	1
21	0022117	Weldment, Inner Base	1	68	0022110	Weldment, Control Housing Cover	1
22	0022118	Weldment, Control Housing	1	69	1000900	Label - Warning	1
23	0200345	Base Gasket, 23.94" LG	2	70	1001213	Label - Shock Hazard	1
24	0200355	Base Gasket, 11.30" LG	2	71	1001561	Label, ID - A	1
25	0400119	Bushing, Shorty 5/8"	2	72	1001562	Label, ID - B	1
26	0400418	Push In Grommet For 1-1/8" Dia. Hole	1	73	1001599	Label, Control	1
27	0506083	Spacer	2	74	1001650	Label Korean Translation	1
28	0506174	End Covr Bottom	1	75	1002650	Wiring Diagram Label	1
29	0800474	Rod, Belt Cover	4	76	2100212	Handle, Pocket Pull, Snap-In	1
30	2100212	Handle, Pocket Pull, Snap-In	1	77	2180445	Edge Trim Piece, 7"	1
31	2140101	Adhesive/ Sealant - RTV	1	78	304P105*	Nut, Hex 'Keps' #4-40	1
32	2140109	Loctite # 242 (Blue)	1	79	4070230	Asy-Pcb, Main Go To Market (MCD)	1
33	308P144*	Screw, #8-32 X 1/4" (#6 Head)	1	80	0021983	Weldment, Thermocouple Tube	1
34	308P157*	Screw, Tap 8-32 X 3/8"LG	1	81	0022101	Weldment, Idler Roller Front Top	2
35	3080203	Screw, Tap 8-32 X 3/8" W/Int. Tooth Washer	11	82	0022103	Weldment, Drive Roller Front Bottom	2
36	310P102*	Washer, Int. Tooth-Lock,#10	1	83	0022111	Weldment, Conveyor Cover - Front	1
37	310P110*	Screw, Mach. #10-32 X 1/2"	1	84	0022114	Cover Weldment	1
38	310P199!	Scr, #10-32 X 3/8 Lg Socket HD Cap	1	85	0022115	Weldment, Adj. Platen Frame	1
39	310P204*	Fillister Head Phillips Screw # 10-32 X .25	1	86	0022116	Weldment, Fixed Platen Frame	1
40	0013178	Adj. Platen Assembly	1	87	0022283	Wment, Bearing Brkt & Spring Guide- LG	2
41	0013181	Relay - Sink Bracket Assy	1	88	0022284	Wment, Bearing Brkt & Spring Guide - RG	2
42	0507247	Heat Sink, Relay	1	89	0022294	Weldment, Filter Bracket	1
43	308P157*	Screw, Tap 8-32 X 3/8"LG	1	90	0100292	Platen, Main 230V, 2300W	1
44	4010187	Transformer, 240 Vac/12Vac	1	91	0400147	Bushing, Shorty 7/8"	1
45	4050240	Relay, Solid State Dual Pole W/Conn-Receipt	1	92	0400427	Insulation, Main Platen	1
46	0013183	Motor / Sprocket Assembly	1	93	0504320	Spacer 0.781 X 1.125 X 0.06"	10
47	0506157	Motor Plate	1	94	0506144	Plate, Tensioner RG	2
				95	7001431	Tensioner Bracket Kit	1

HEBT-3V BUN TOASTER

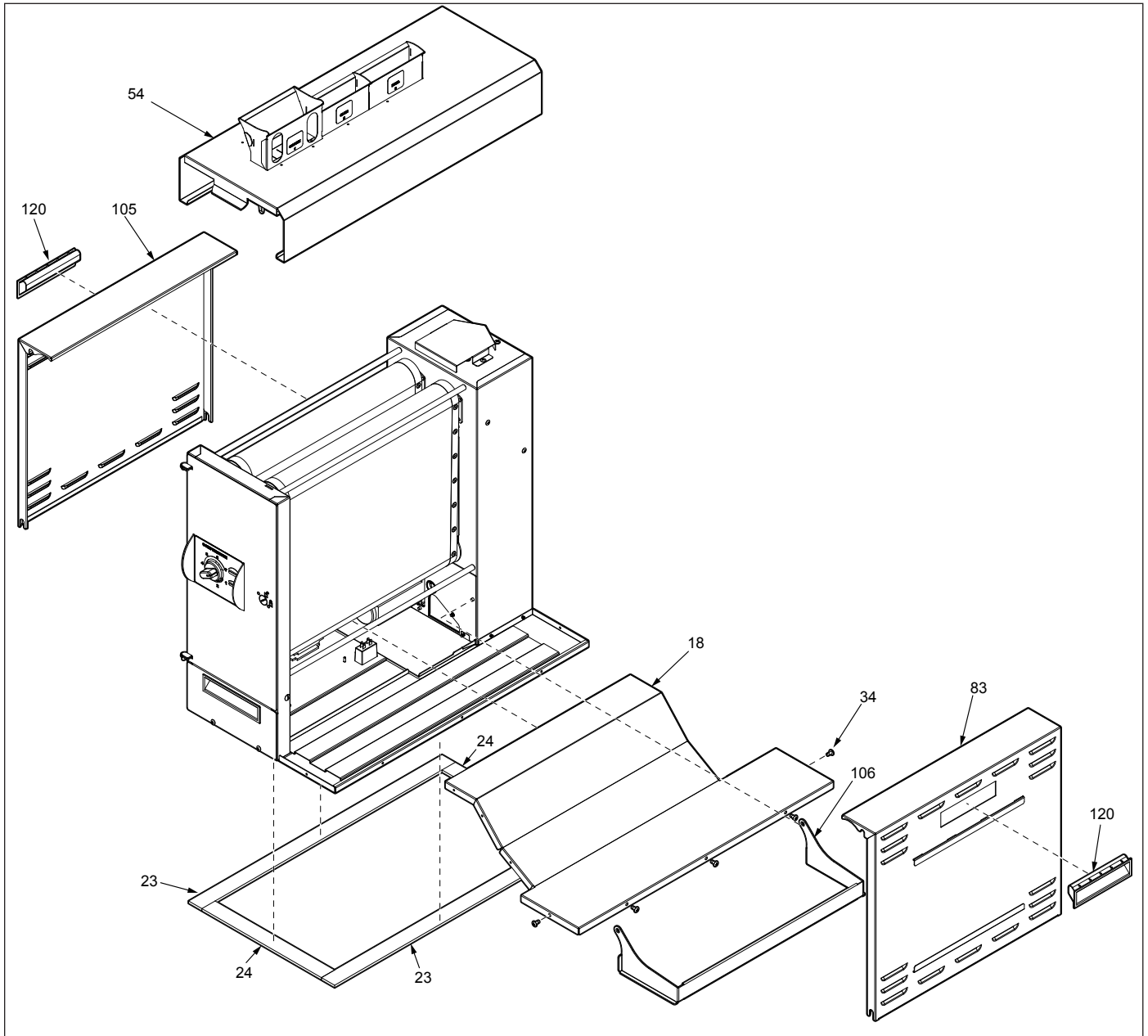
REPLACEMENT PARTS (continued)

Item	Part No.	Description	Qty.
96	0506167	Bracket, Bearing	2
97	0506278	Spacer, .312 X .187 X .105	3
98	7001431	Tensioner Bracket Kit	1
99	0506292	Bracket, Tensioner- End Hsg, Front	1
100	0506293	Plate, Tensioner - End Hsg, Rear	1
101	0506294	Plate, Tensioner - End Hsg, Front	1
102	0506736	Bracket, Housing Locking	1
103	0507112	Support Bracket, RG	1
104	0507113	Support Bracket, LG	1
105	0507114	Back Conveyor Cover	1
106	0507115	Bracket, Bun Stop	1
107	0507129	Insulation Plate	1
108	0507246	Cover, Duct Fan	1
109	0600143	Spring, Compression Setting	2
110	0600157	Spring, Chain Tension	2
111	0600158	Spring, Roller Tension	4
112	0600159	Spring, Cam Adj	2
113	0700956	Cable Assembly - Gnd	1
114	0700963	Wire Set, SSR Hi Voltage	1
115	0700964	Wire Set, Club Voltage	1
116	0700965	Wire Set, Control	1
117	0700966	Wire Set, Fan Xfmr	1
118	0700967	Wire Set, Line Filter	1
119	1001452	Label, Pvc Removal	1
120	2100212	Handle, Pocket Pull, Snap-In	2
121	2100253	Knob, 1/4" Shaft, Push-On	1
122	2100334	Thrust Strip, Teflon	4
123	2110197	Clip, Steel Cable	1
124	2120213	Spacer, Frame & Platen LG	4
125	2120216	Spacer, Upper Locking Plate, Front	1
126	2120217	Spacer, Upper Locking Plate, Rear	1
127	2120221	Spacer, 0.69 X 0.503 X 0.359	2
128	2120223	Sleeve Bearing, .50" Od X .75" LG	2
129	2120224	Sleeve Bearing, .50" Od X .375" LG	2
130	2120260	Spacer, Adjustable Frame Rh	2
131	2120263	Spacer, Platen RH	2
132	2140109	Loctite # 242 (Blue)	1
133	2140125	Lubricant, White, PTFE	1
134	2150185	Sprocket, 25B18, 1/2" Bore	2
135	2150285	Bearing, Single Groove S/S	8
136	2150324	Chain, Drive	1
137	2150362	Cam, HBCS	2
138	2150406	Cam Shaft	1
139	300P123*	Ring, Retaining, External	1
140	304P105*	Nut, Hex 'Keps' #4-40	1
141	306P130*	Nut, Hex Keps #6-32 (Small Pattern)	1
142	308P102*	Washer, Int. Tooth #8	1
143	308P124*	Screw, Mach One-Way #8-32	1
144	308P142*	Washer, Flat #8	1
145	308P143*	Nut, Hex 'Keps' #8-32	1

Item	Part No.	Description	Qty.
146	308P145*	Nut, Hex Acorn #08-32 Low Crown	1
147	308P157*	Screw, Tap 8-32 X 3/8"LG	1
148	308P164*	Screw, Mach. #8-32 X 1"	1
149	308P193*	Scr, Mach #8-32 X 1 1/4" SLTFLTHD	1
150	308P203*	Screw, Tap 8-32 X 3/8" W/Int. Tooth Washer	1
151	308P340*	Nut, Hex Acorn Lock #8-32	1
152	310P146*	Nut, Hex 'Keps' #10-32	1
153	310P187*	Screw Set, #10-32 X 3/8" Hex Socket-Cone Point	1
154	310P199*	Scr, #10-32 X 3/8 Lg Socket HD Cap	1
155	310P213*	Screw, PHPNHD #10-16 X 3/4" Thrd Form	1
156	310P214*	Screw, Hex #10-32 X 1/2"	1
157	325P109*	Screw, Hexcap 1/4-20 X 1/2"	1
158	325P176*	Screw, Flange Hex Head Cap	1
159	325P193*	Screw, Hex Head, #1/4-20 X 1.375", S.S.	1
160	325P194*	Screw, Hex Hd, #1/4-20 X 2.00", S.S.	4
161	4000202	Fan, Axial - 230V, Metal Hsg & Imp	1
162	4010221	Cap-Mp, Motor Run	1
163	4030352	Thermostat, Hi-Limit 700°F	2
164	4050229	Filter, Line	1
165	4051045	Thermocouple Type "K" (Open End)	2
166	4060107	Cable Tie, 1/8W X 5"	1
167	4060374	Ground Lug	1
168	4060398	Terminal Block, S-Series	1
169	4070154	Varistor Board	1
170	0700947	Power Cord IEC-309 Pin & Sleeve, 16 Amp., 230 Volt (Mfg. No. 9210859 & 9210861)	1
	0700970	Power Cord Marechal Pin & Sleeve 32 Amp., 220-250 Volt (Mfg. No. 9210860)	1
	0700998	Power Cord Marechal Pin & Sleeve 32 Amp., 220-250 Volt (Mfg. No. 9210863)	1
171	0400375	Strain Relief	1
172	0400376	Lock Nut, Conduit 3/4" NPT	1
173	7001070	Main (Front) Belt	1
174	7001071	Rear Belt	1
175	7001072	Belt Replacement Kit (Incl. 1 of 173 and 1 of 174)	1
176	0508465	Fan Bracket	1

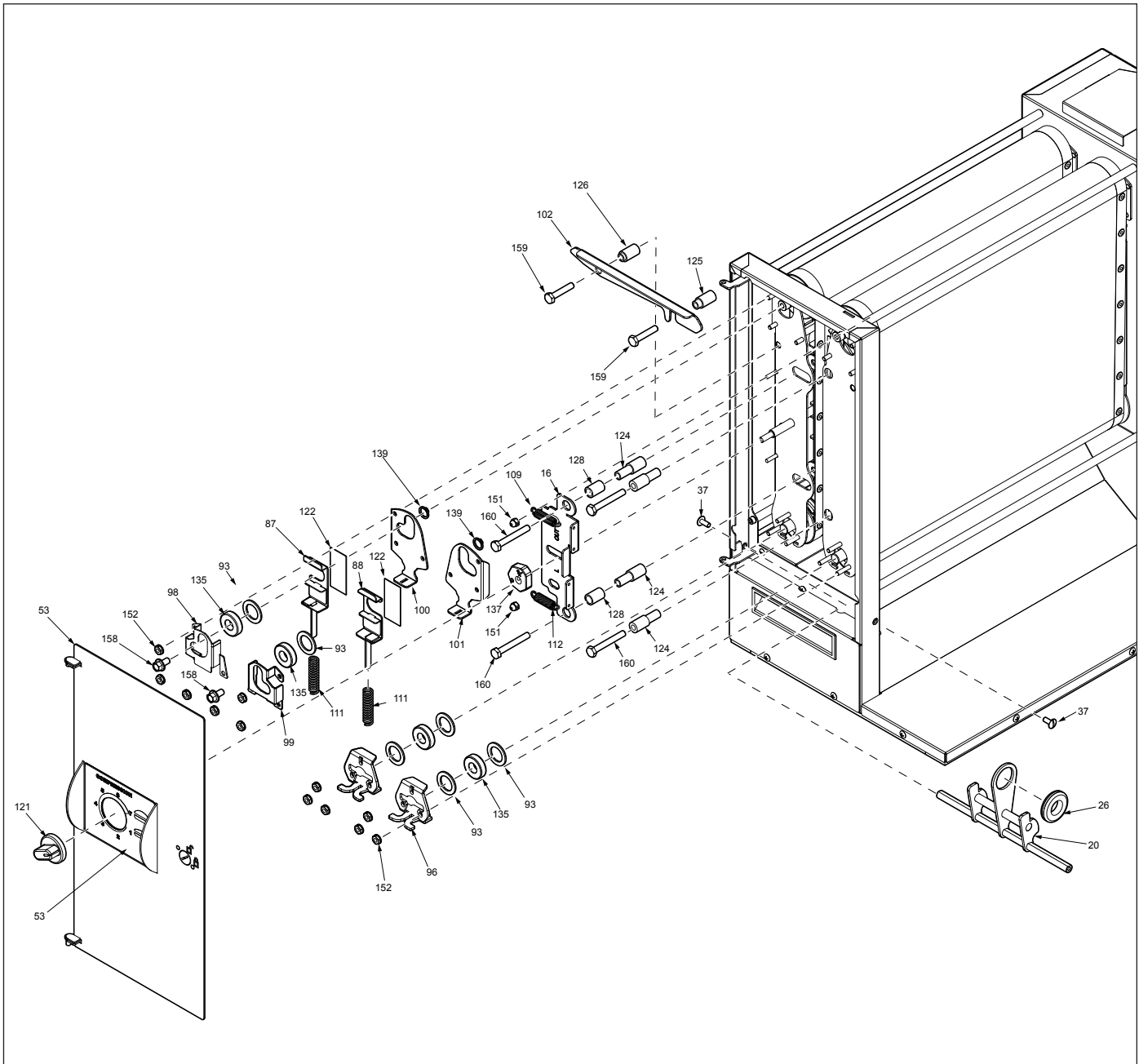
* Items available in packages of ten (10)

REPLACEMENT PARTS (continued)

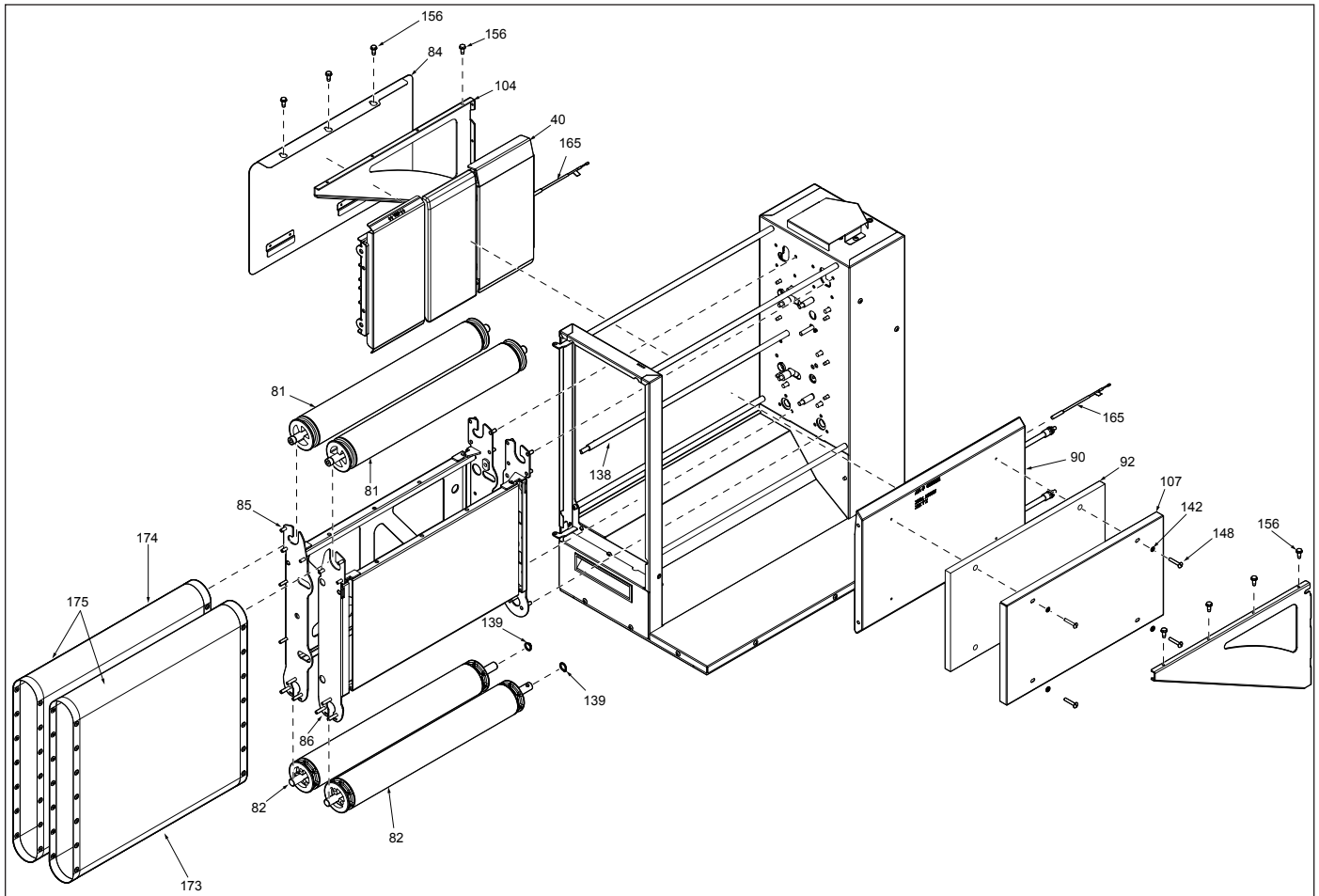


HEBT-3V BUN TOASTER

REPLACEMENT PARTS (continued)

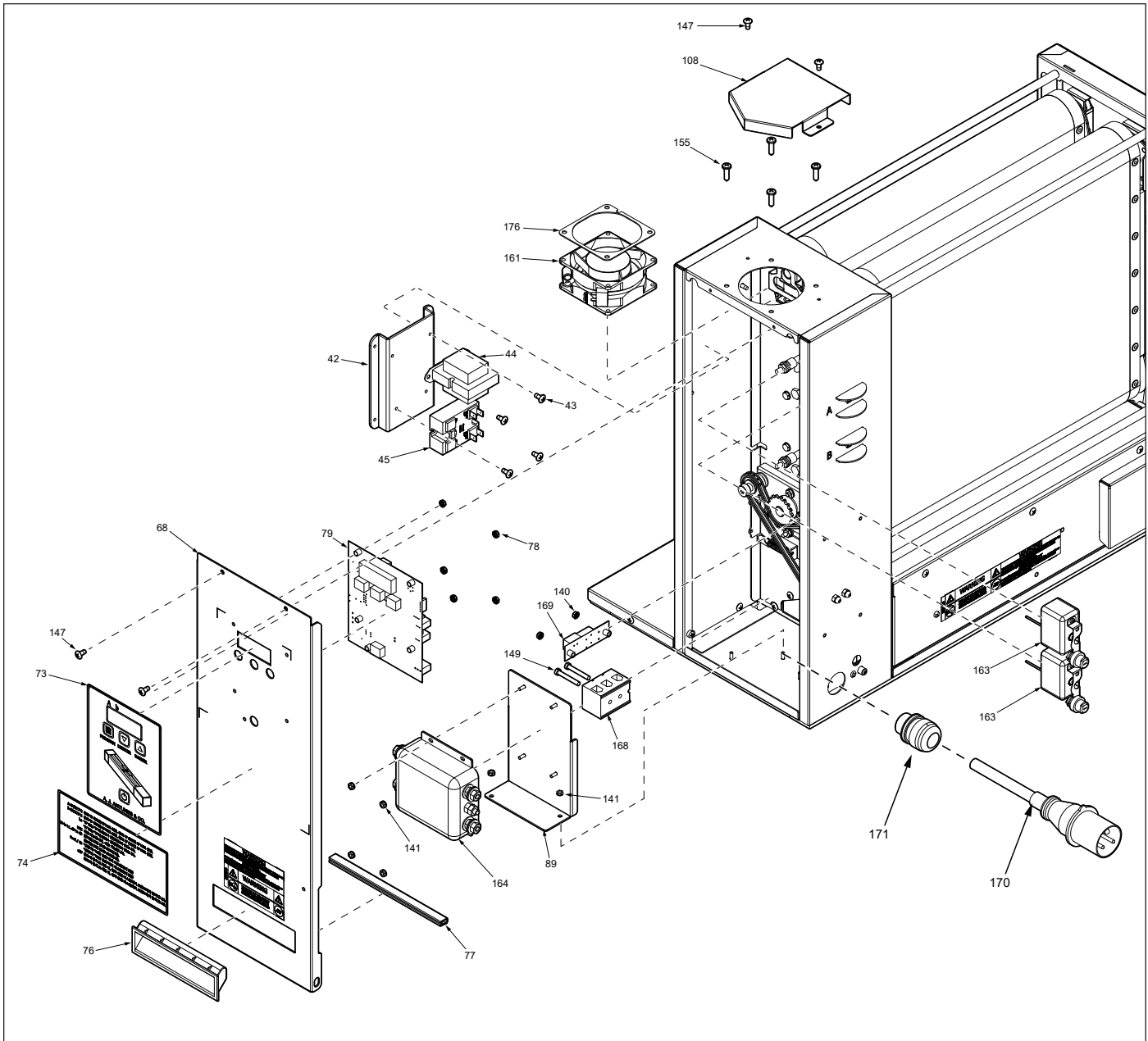


REPLACEMENT PARTS (continued)

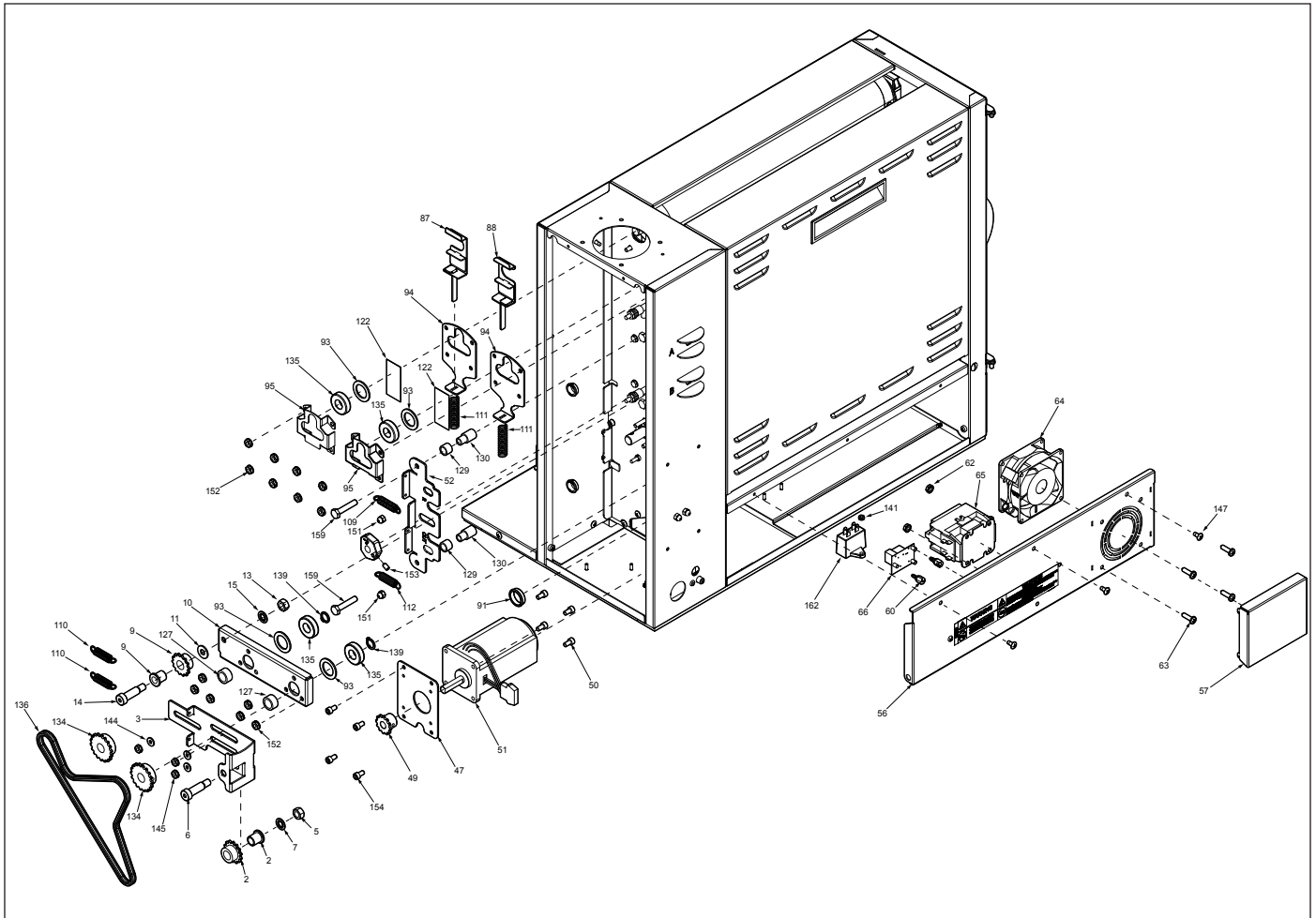


HEBT-3V BUN TOASTER

REPLACEMENT PARTS (continued)

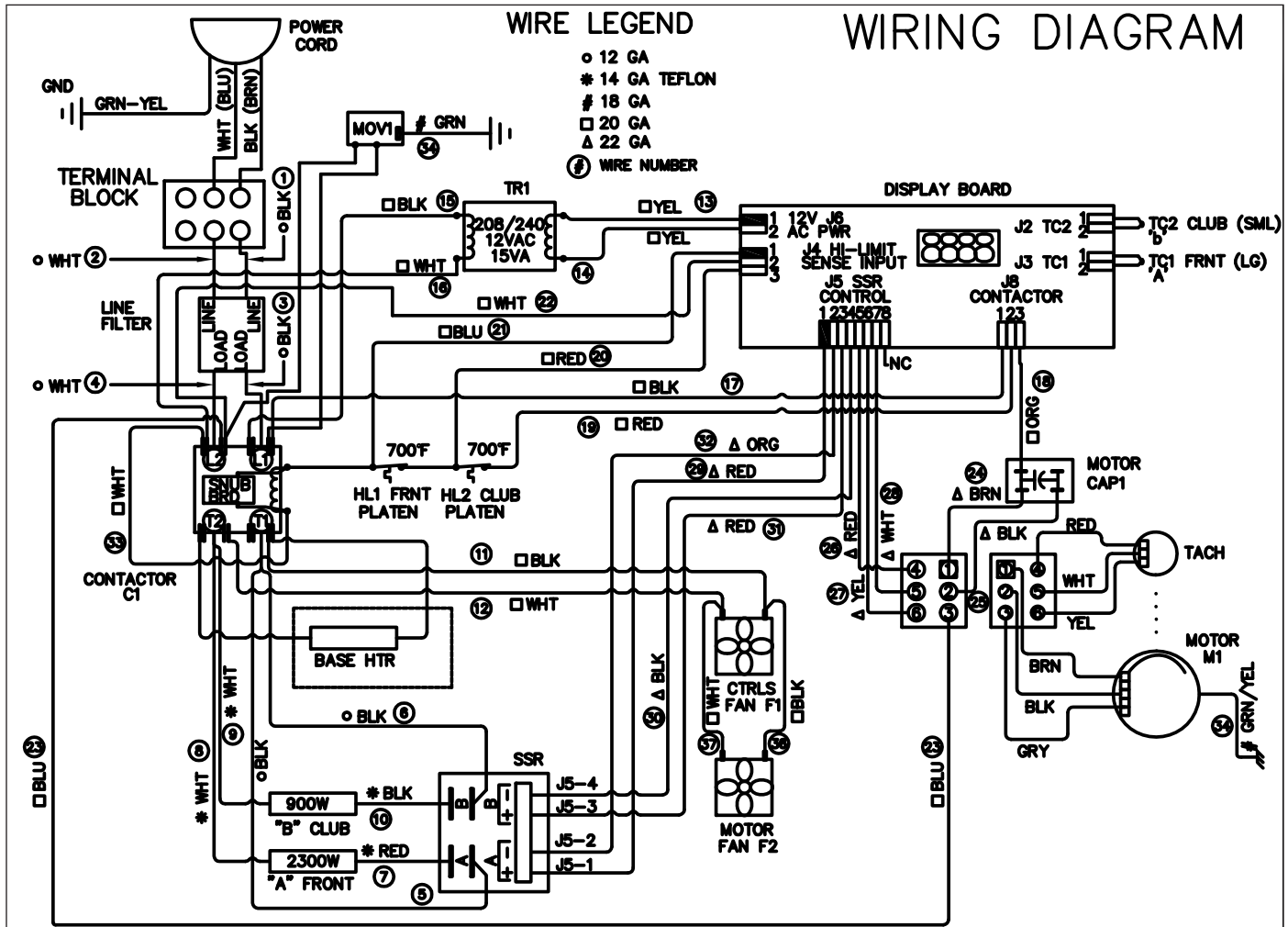


REPLACEMENT PARTS (continued)



HEBT-3V BUN TOASTER

WIRING DIAGRAM





Corporate Headquarters
Carol Stream, IL, USA
Phone: +1.630.784.1000
Toll Free: +1.800.253.2991
Fax: + 1.(630).784-1650

China Facility
Suzhou, China
Phone: +84.512.6841.3637
Fax: +86.512.6841.3907

India Facility
Chennai, India
Phone: +91.44.25532212
Fax: +91.44.25532415