

Place this manual in the Toaster section
of your Equipment Manual.
Manufactured exclusively for
McDONALD'S®

BY
ANTUNES
180 KEHOE BLVD.
CAROL STREAM, ILLINOIS 60188, U.S.A.
PHONE: +1-630-784-1000
TOLL FREE: +1-877-392-7854
FAX: +1-630-784-1650
www.antunes.com



Display Case
Scan with mobile device or enter URL
for product and service information
<http://tiny.cc/aja-DC>

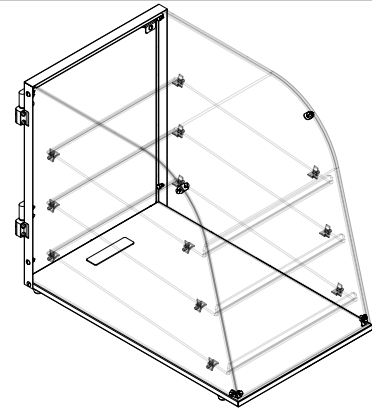


TABLE OF CONTENTS

Owner Information	2	Installation	4
General	2	Unpacking.....	4
Service/Technical Assistance	2	Location	4
Warranty Information	2	Maintenance	5
Specifications	3	Daily Cleaning	5
Dimensions	3	Replacement Parts	6
		Notes	7

LIMITED WARRANTY

The Antunes Food Service Equipment Division of A.J. Antunes & Co. provides the following limited warranty to the original purchaser of all McDonald's Equipment. All components are warranted against defects in the material and workmanship for a period of two (2) years from date of original installation.

If any part becomes defective during the period of this Warranty, Antunes Food Service will pay labor costs to an Authorized Service Agent to replace the part plus travel expenses.

WARRANTY EXCLUSIONS

- The cost of Installation.
- Equipment that has been damaged due to shipment. Purchaser should make damage claim directly upon carrier.
- Alteration, misuse, abuse.
- Improper storage or handling.
- Improper maintenance.
- Failure to follow proper Installation instructions, including electrical connection.

- Improper or unauthorized repairs.
- Scheduled Maintenance procedures as outlined in your MRC Card.
- This Warranty does not cover Consumable items.
- Water pressure problems or contamination problems such as foreign material in water lines or inside solenoid valves due to an incoming water source.
- Freight, foreign, excise, municipal or other sales or use taxes.
- Consequential damages such as loss of profit, loss of time, the cost of repairing or replacing other property which is damaged, or any other incidental damage of any kind.

Antunes Food Service reserves the right to make changes in design or add improvements on any products. The right is always reserved to modify Equipment because of factors beyond our control and government regulation. Changes to Equipment do not constitute a warranty charge. This warranty is exclusive and is in lieu of all other warranties, expressed or implied, including any implied warranty of merchantability or fitness for a particular purpose, each of which is expressly disclaimed. The remedies described above are exclusive, and in no event shall A.J. Antunes & Co. or any of its Divisions be liable for special consequential or incidental damages for the breach or delay in the performance of this warranty.

This manual is for the exclusive use of licensees and employees of McDonald's Systems, Inc..
© McDonald's Corporation All Rights Reserved

DC-14R DISPLAY CASE

OWNER INFORMATION

General

This manual provides the safety, installation, and operating procedures for this unit. Please read this manual prior to installing and operating the unit.

This unit is manufactured from the finest materials available and assembled to our strict quality standards. This unit has been tested at the factory to ensure dependable trouble-free operation.

Service/Technical Assistance

If you experience any problems with the installation or operation of your unit, contact Antunes Technical Service at +1-877-392-7854 (toll free).

Warranty Information

Please read the full text of the Limited Warranty in this manual.

If the unit arrives damaged, contact the carrier immediately and file a damage claim with them. Save all packing materials when filing a claim. Freight damage claims are the responsibility of the purchaser and are not covered under warranty.

The warranty does NOT extend to:

- Damages caused in shipment or damage as result of improper use.
- Installation of electrical service.
- Normal maintenance as outlined in this manual.
- Malfunction resulting from improper maintenance.
- Damage caused by abuse or careless handling.
- Damage from moisture into electrical components.
- Damage from tampering with, removal of, or changing any preset control or safety device.

Fill in the information below and have it handy when calling Antunes Technical Service for assistance. The serial number is on the specification plate located on the rear of the unit.

Purchased From: _____

Date of Purchase: _____

Model No.: _____

Serial No.: _____

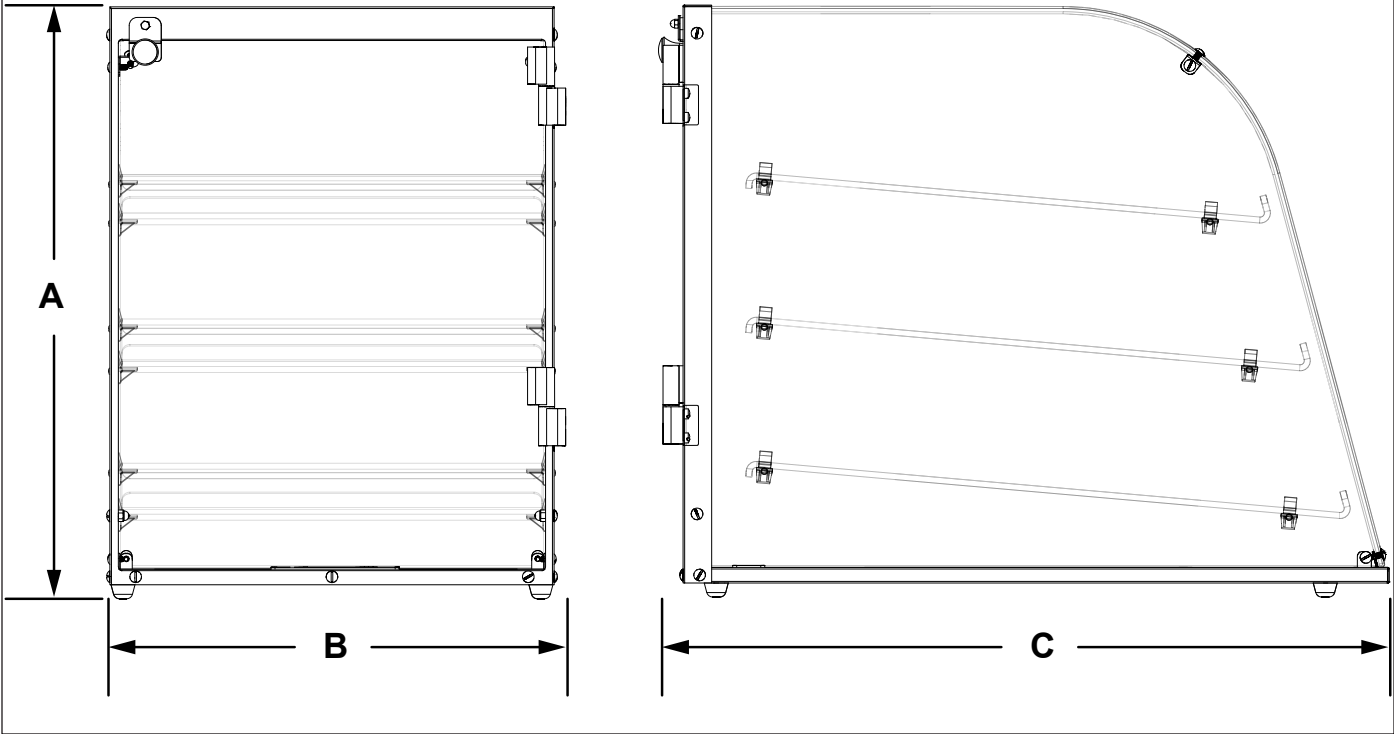
Mfg. No.: _____

Use only genuine Antunes replacement parts in this unit. Use of replacement parts other than those supplied by the manufacturer will void the warranty.

IMPORTANT! Keep these instructions for future reference. If the unit changes ownership, be sure this manual accompanies the equipment.

SPECIFICATIONS

Dimensions



Model & Mfg. No.	Height (A)	Width (B)	Depth (C)
DC-14A 9500710	18.5" (470 mm)	14.25" (362 mm)	22" (559 mm)

DC-14R DISPLAY CASE

INSTALLATION

Unpacking

1. Open the large box. It contains:
 - DC-14R Display Case
 - Three shelves
 - Owner's Manual
2. Remove the foam inserts from the box.
3. Carefully remove the display case from the large box.
4. Perform the Daily Cleaning steps found in the Maintenance section of this manual.

NOTE: If any parts are missing or damaged, contact A.J. Antunes Customer Service IMMEDIATELY at +1-877-392-7856 (toll free).

Location

When placing the toaster into service, pay attention to the following guidelines:

- Do NOT block or cover any openings on the unit.
 - Keep away from heated surfaces.
1. Place the display case in the required position designated by McDonald's.
 2. Load product into the display case. Insert appropriate card into the display card holder.

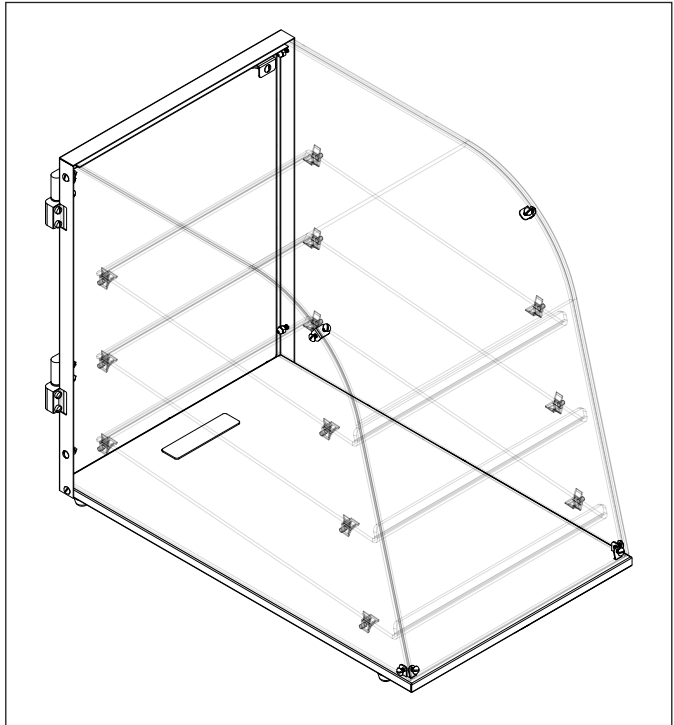


Figure 1. DC-14R Display Case

MAINTENANCE

Daily Cleaning

Follow these steps to clean the Display Case.

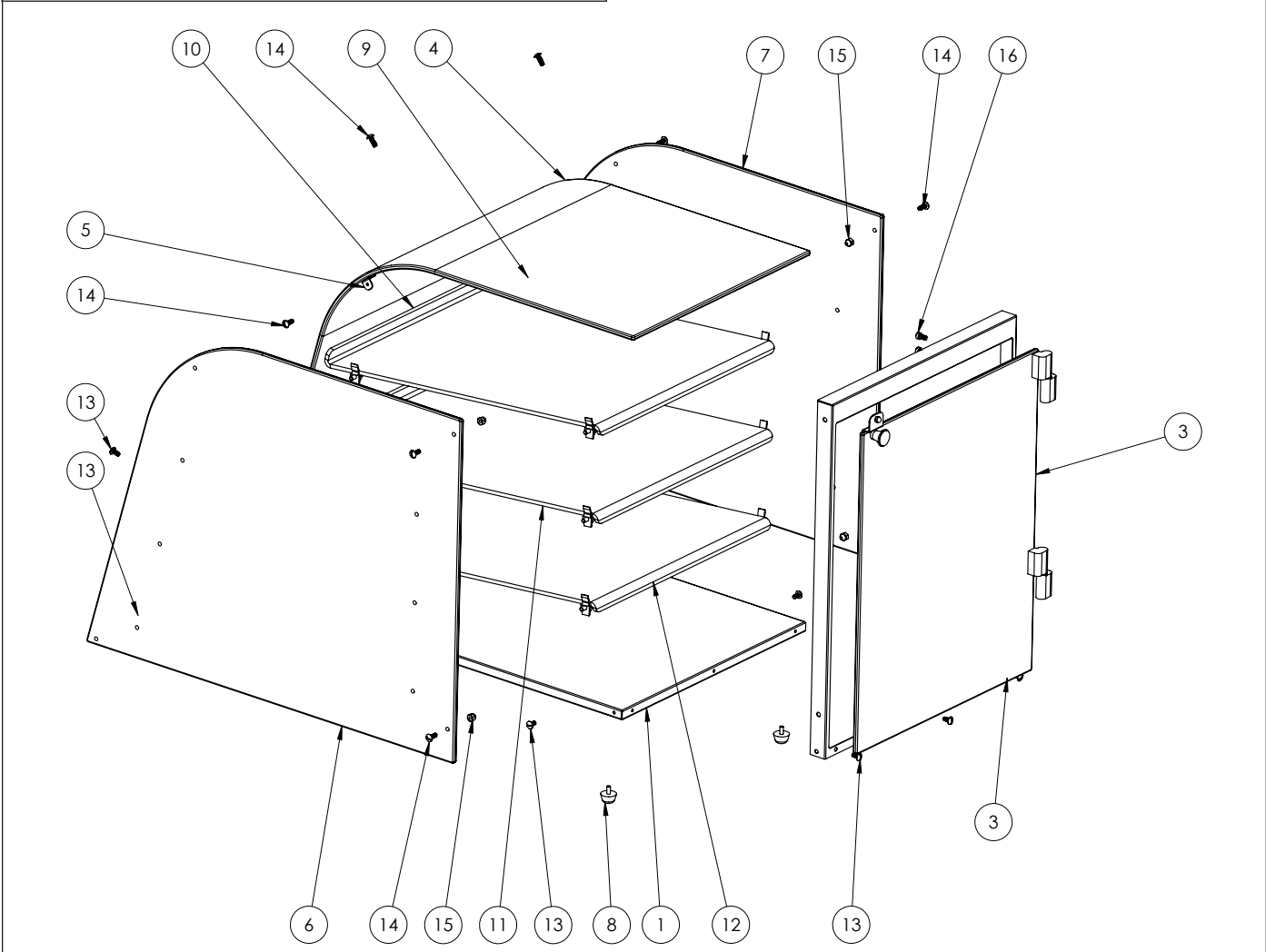
1. Remove food product from the display case and store properly.
2. Remove the shelves from the display case. Remove the crumbs from the shelves with a clean, sanitizer-soaked towel and dispose the crumbs into the trash receptacle.
3. Take the shelves to the 3-compartment sink to wash with hot, KAY® SolidSense™ All Purpose Super Concentrate (APSC) solution. For heavier soils, pre-spray with KAY® QSR Heavy Duty Degreaser solution prior to washing.
4. Rinse the shelves with clean, hot water at the 3-compartment sink.
5. Sanitize the shelves with KAY® SolidSense™ Sanitizer solution for one minute at the 3-compartment sink and allow to air dry.
6. Using a clean, sanitizer-soaked towel; sweep crumbs out of the display case and empty into the trash receptacle.
7. Spray and wipe the interior and exterior walls of the display case with KAY® APSC solution and a clean, sanitizer-soaked towel. For heavy soils, scrub the display case walls with a KAY® NO-SCRATCH™ Pad.
8. Rinse the interior and exterior walls of the display case with a separate, clean sanitizer-soaked towel.
9. Spray the interior and exterior walls of the display case with KAY® SolidSense™ Sanitizer solution and allow to air dry.
10. Reinstall the shelves and load food product.

DC-14R DISPLAY CASE

REPLACEMENT PARTS

Item	Part No.	Description	Qty.
1	0022223	Base Weldment	1
2	0507331	Frame Cabinet Rear Door	1
3	7001853	Door Assembly	1
4	0900340	Front Curved Acrylic Panel	1
5	0507333	Clip, Acrylic Mounting	2
6	0900339	Side Acrylic Panel RH	1
7	0900338	Side Acrylic Panel LH	1
8	7000436	Rubber Head Screw Bumper	4
9	2180456	Shelf Rest	12
10	7001191	Shelf, Top	1
11	7001192	Shelf, Middle	1
12	7001193	Shelf, Bottom	1
13	308K104*	8-32 X .38 LG Truss Head S.S.	1
14	308K105*	8-32 X .5 LG Truss Head S.S.	1
15	308K145*	Nut, Hex Acorn #08-32 Low Crown	1
16	3100176	10-24 X .38 LG Mach Screw Fillister S.S	4

* Available in packages of 10 (ten)





Corporate Headquarters

Carol Stream, Illinois

Phone: +1 (630) 784-1000

Toll Free: +1 (800) 253-2991

Fax: +1 (630) 784-1650

China Facility

Suzhou, China

Phone: +86-512-6841-3637

Fax: +86-512-6841-3907