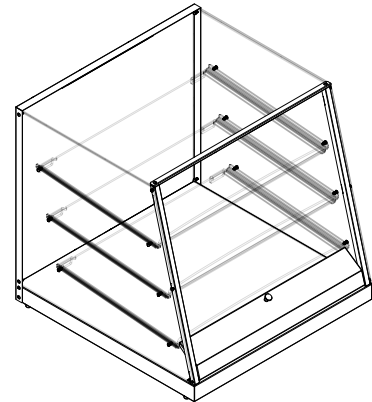


Place this manual in the Toaster section  
of your Equipment Manual.  
Manufactured exclusively for  
McDONALD'S®

BY  
ANTUNES  
180 KEHOE BLVD.  
CAROL STREAM, ILLINOIS 60188, U.S.A.  
PHONE: +1-630-784-1000  
TOLL FREE: +1-877-392-7854  
FAX: +1-630-784-1650  
www.antunes.com



**Display Case**  
Scan with mobile device or enter URL  
for product and service information  
<http://tiny.cc/aja-DC>



## TABLE OF CONTENTS

<b>Owner Information</b> .....	<b>2</b>	<b>Installation</b> .....	<b>4</b>
General.....	2	Unpacking.....	4
Service/Technical Assistance .....	2	Location .....	4
Warranty Information .....	2	<b>Maintenance</b> .....	<b>5</b>
<b>Specifications</b> .....	<b>3</b>	Daily Cleaning .....	5
Dimensions.....	3	<b>Replacement Parts</b> .....	<b>6</b>
Power Cord and Plug Configuration.....	3	<b>Notes</b> .....	<b>7</b>

### LIMITED WARRANTY

The Antunes Food Service Equipment Division of A.J. Antunes & Co. provides the following limited warranty to the original purchaser of all McDonald's Equipment. All components are warranted against defects in the material and workmanship for a period of two (2) years from date of original installation.

If any part becomes defective during the period of this Warranty, Antunes Food Service will pay labor costs to an Authorized Service Agent to replace the part plus travel expenses.

#### WARRANTY EXCLUSIONS

- The cost of Installation.
- Equipment that has been damaged due to shipment. Purchaser should make damage claim directly upon carrier.
- Alteration, misuse, abuse.
- Improper storage or handling.
- Improper maintenance.
- Failure to follow proper Installation instructions, including electrical connection.

- Improper or unauthorized repairs.
- Scheduled Maintenance procedures as outlined in your MRC Card.
- This Warranty does not cover Consumable items.
- Water pressure problems or contamination problems such as foreign material in water lines or inside solenoid valves due to an incoming water source.
- Freight, foreign, excise, municipal or other sales or use taxes.
- Consequential damages such as loss of profit, loss of time, the cost of repairing or replacing other property which is damaged, or any other incidental damage of any kind.

Antunes Food Service reserves the right to make changes in design or add improvements on any products. The right is always reserved to modify Equipment because of factors beyond our control and government regulation. Changes to Equipment do not constitute a warranty charge. This warranty is exclusive and is in lieu of all other warranties, expressed or implied, including any implied warranty of merchantability or fitness for a particular purpose, each of which is expressly disclaimed. The remedies described above are exclusive, and in no event shall A.J. Antunes & Co. or any of its Divisions be liable for special consequential or incidental damages for the breach or delay in the performance of this warranty.

**This manual is for the exclusive use of licensees and employees of McDonald's Systems, Inc..**  
© McDonald's Corporation All Rights Reserved

# DC-27L DISPLAY CASE

## OWNER INFORMATION

### General

This manual provides the safety, installation, and operating procedures for this unit. Please read this manual prior to installing and operating the unit.

This unit is manufactured from the finest materials available and assembled to our strict quality standards. This unit has been tested at the factory to ensure dependable trouble-free operation.

### Service/Technical Assistance

If you experience any problems with the installation or operation of your unit, contact Antunes Technical Service at +1-877-392-7854 (toll free).

### Warranty Information

Please read the full text of the Limited Warranty in this manual.

If the unit arrives damaged, contact the carrier immediately and file a damage claim with them. Save all packing materials when filing a claim. Freight damage claims are the responsibility of the purchaser and are not covered under warranty.

The warranty does NOT extend to:

- Damages caused in shipment or damage as result of improper use.
- Installation of electrical service.
- Normal maintenance as outlined in this manual.
- Malfunction resulting from improper maintenance.
- Damage caused by abuse or careless handling.
- Damage from moisture into electrical components.
- Damage from tampering with, removal of, or changing any preset control or safety device.

Fill in the information below and have it handy when calling Antunes Technical Service for assistance. The serial number is on the specification plate located on the rear of the unit.

Purchased From: \_\_\_\_\_

Date of Purchase: \_\_\_\_\_

Model No.: \_\_\_\_\_

Serial No.: \_\_\_\_\_

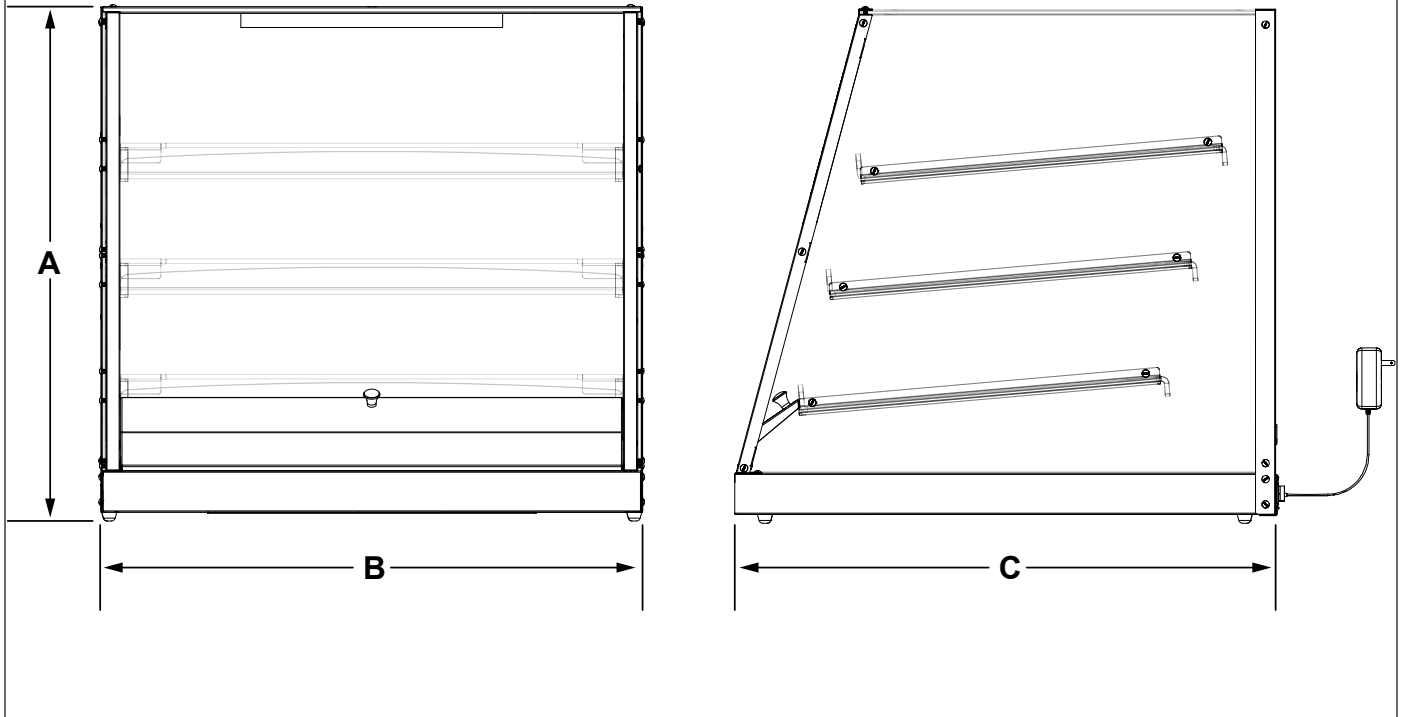
Mfg. No.: \_\_\_\_\_

Use only genuine Antunes replacement parts in this unit. Use of replacement parts other than those supplied by the manufacturer will void the warranty.

**IMPORTANT! Keep these instructions for future reference. If the unit changes ownership, be sure this manual accompanies the equipment.**

## SPECIFICATIONS

### Dimensions



Model & Mfg. No.	Height (A)	Width (B)	Depth (C)
DC-27L 9500700	25" (635 mm)	27" (686 mm)	27" (686 mm)

### Power Cord and Plug Configuration

Model & Mfg. No.	Volts	Watts	Amps	Hertz	Plug Description
DC-27L 9500700	24	24	1	50/60	Trans Wall 24 VDC, 1A Level V

# DC-27L DISPLAY CASE

## INSTALLATION

### Unpacking

1. Open the large box. It contains:
  - DC-27L Display Case
  - Three shelves
  - Power Supply
  - Owner's Manual
2. Remove the foam inserts from the box.
3. Carefully remove the display case from the large box.
4. Perform the Daily Cleaning steps found in the Maintenance section of this manual.

**NOTE: If any parts are missing or damaged, contact Antunes Customer Service IMMEDIATELY at +1-877-392-7856 (toll free).**

### Location

When placing the toaster into service, pay attention to the following guidelines:

- Do NOT block or cover any openings on the unit.
  - Keep away from heated surfaces.
1. Place the display case in the required position designated by McDonald's.
  2. Load product into the display case. Insert appropriate card into the display card holder.
  3. Connect the power supply to the rear of the Display Case and connect to the appropriate outlet.
  4. Turn the rocker switch on the rear of the unit on to turn on the Display Cabinet lights.
  5. Use the flip-down front panel (Figure 1) to store and conceal product wrapping materials.

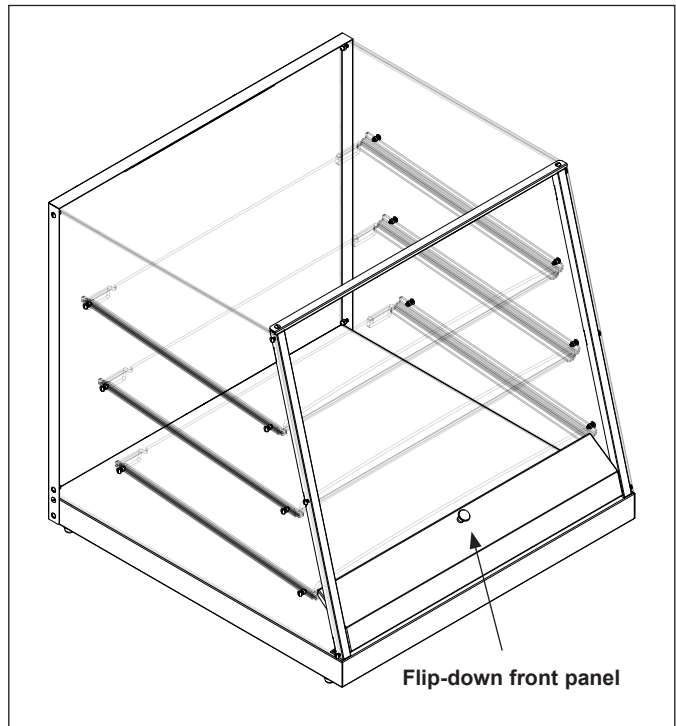


Figure 1. DC-27L Display Case (front)

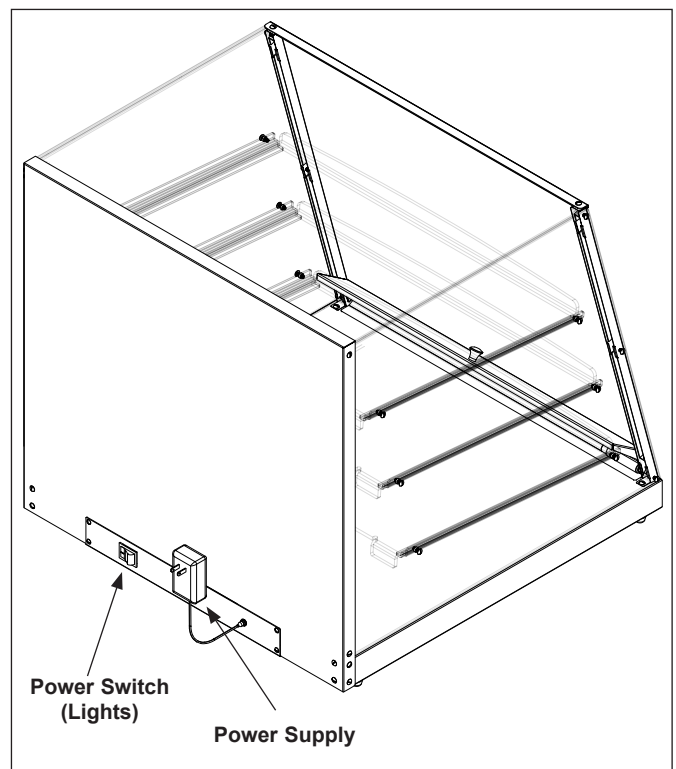


Figure 2. DC-27L Display Case (rear)

## MAINTENANCE

### Daily Cleaning

Follow these steps to clean the Display Case.

1. Turn the rocker switch on the rear of the Display Case off. Unplug the power supply from the outlet and from the rear of the Display Case.
2. Remove food product from the display case and store properly.
3. Remove the shelves from the display case. Remove the crumbs from the shelves with a clean, sanitizer-soaked towel and dispose the crumbs into the trash receptacle.
4. Take the shelves to the 3-compartment sink to wash with hot, KAY® SolidSense™ All Purpose Super Concentrate (APSC) solution. For heavier soils, pre-spray with KAY® QSR Heavy Duty Degreaser solution prior to washing.
5. Rinse the shelves with clean, hot water at the 3-compartment sink.
6. Sanitize the shelves with KAY® SolidSense™ Sanitizer solution for one minute at the 3-compartment sink and allow to air dry.
7. Using a clean, sanitizer-soaked towel; sweep crumbs out of the display case and empty into the trash receptacle.
8. Spray and wipe the interior and exterior walls of the display case with KAY® APSC solution and a clean, sanitizer-soaked towel. For heavy soils, scrub the display case walls with a KAY® NO-SCRATCH™ Pad.
9. Rinse the interior and exterior walls of the display case with a separate, clean sanitizer-soaked towel.
10. Spray the interior and exterior walls of the display case with KAY® SolidSense™ Sanitizer solution and allow to air dry.
11. Reinstall the shelves and load food product.
12. Reconnect the power supply to the rear of the unit and to the appropriate outlet. Turn the rocker switch on.

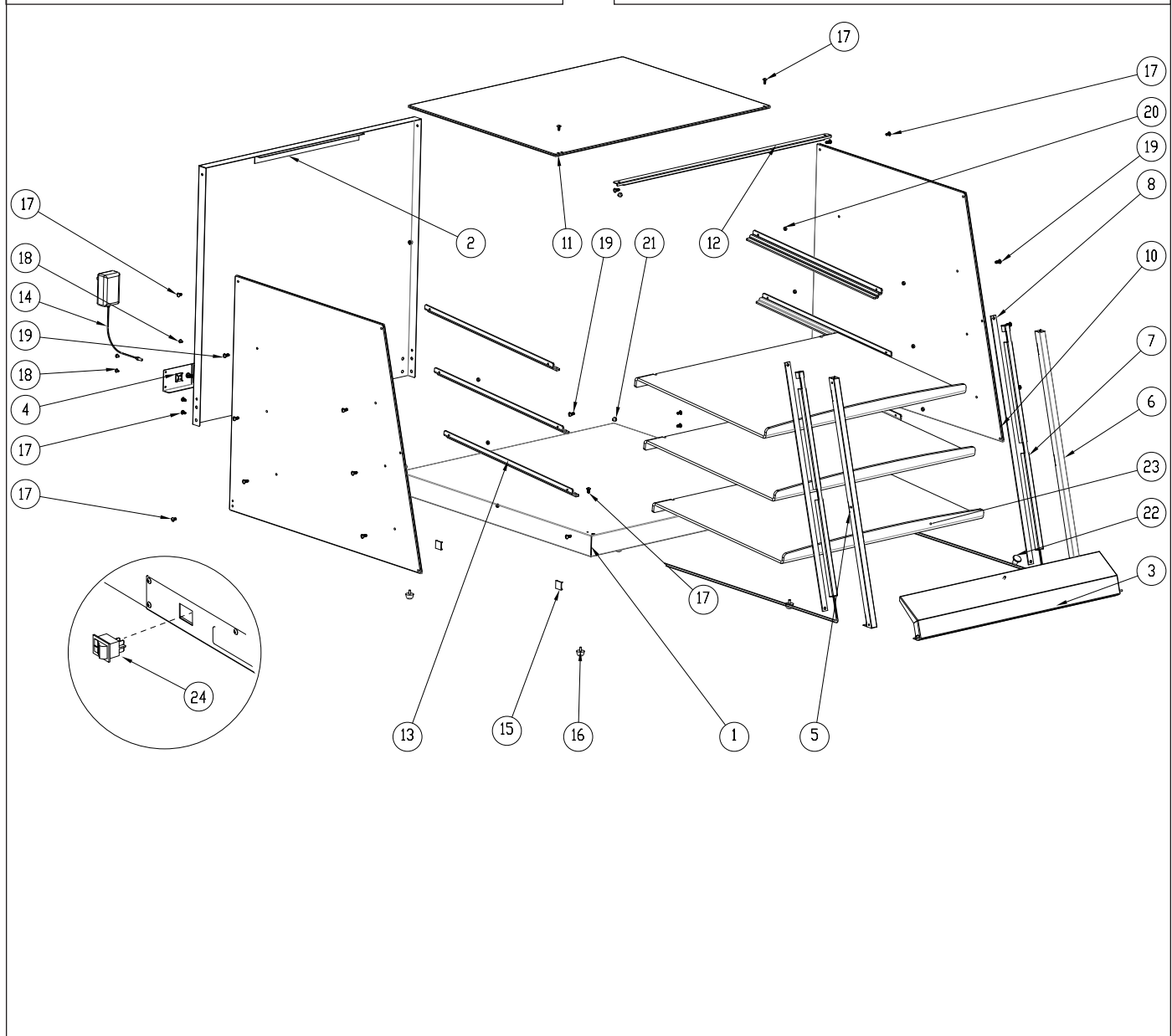
# DC-27L DISPLAY CASE

## REPLACEMENT PARTS

Item	Part No.	Description	Qty.
1	0507339	Base, Display Case	1
2	0022249	Back Panel Weldment	1
3	0022246	Front Panel Weldment	1
4	0013230	Control Panel Assembly	1
5	0507343	Light Column LH	1
6	0507344	Light Column RH	1
7	7001858	Light Channel Assem. 20"	2
8	0900349	Acrylic Cover Strip for LED	2
9	0900344	Acrylic Side Panel LH	1
10	9099345	Acrylic Side Panel RH	1
11	0900346	Acrylic Panel Top	1
12	0507393	Nose Trip Top Panel	1
13	7001856	Guide Rail	6

Item	Part No.	Description	Qty.
14	7001855	Power Supply 24 VDC 1.0 A Level V	1
15	4060377	Cable Tie Mount with Adhesive	6
16	7000436	Rubber Head Screw Bumper	4
17	308P104	8-32 X .38 LG Truss Head S.S.	1
18	306P104	#6-32 X .25 LG Mach Screw S.S.	1
19	310P123	10-24 X .50 LG Truss Head S.S.	1
20	212P266	Spacer #10 Screw .125 LG	1
21	308P145	Nut, Hex Acorn #08-32 Low Crown	1
22	2100247	Knob	1
23	7001872	Shelf Acrylic	3
24	7001580	Power switch	1

\* Available in packages of ten



**NOTES**

Lined area for notes.



**Antunes**

**Corporate Headquarters**

Carol Stream, Illinois

Phone: +1 (630) 784-1000

Toll Free: +1 (800) 253-2991

Fax: +1 (630) 784-1650

**China Facility**

Suzhou, China

Phone: +86-512-6841-3637

Fax: +86-512-6841-3907