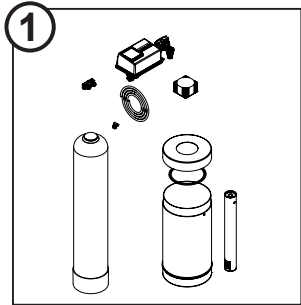
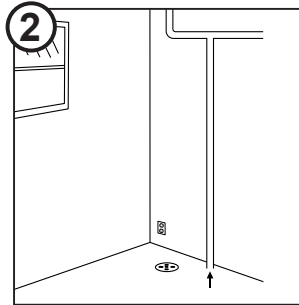


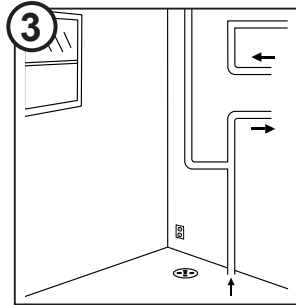
### Unpack and Install System



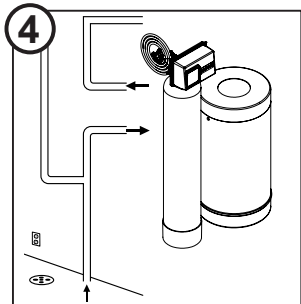
1 Unpack carton and identify parts.



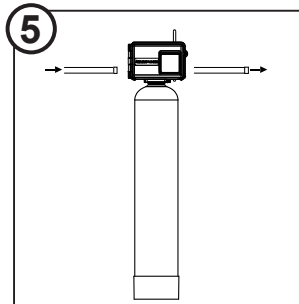
2 Identify location to install the system.



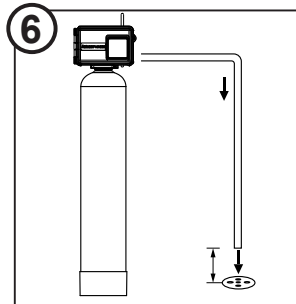
3 Bypass outside faucets.



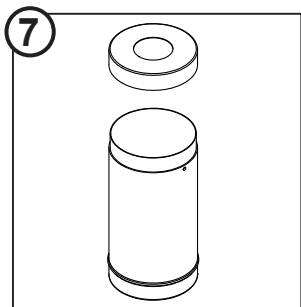
4 Locate tanks and attach control valve.



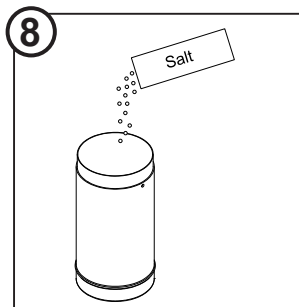
5 Connect inlet and outlet plumbing.



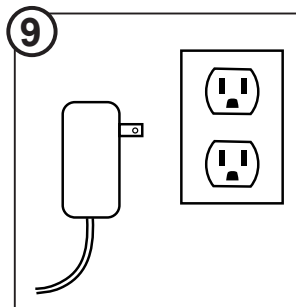
6 Install drain line to drain.



7 Connect brine tank.

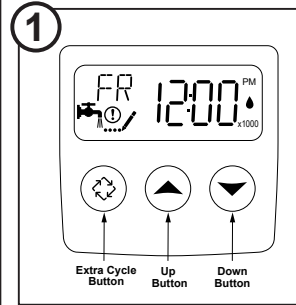


8 Fill brine tank with salt.

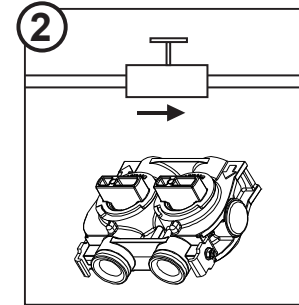


9 Plug power supply into outlet.

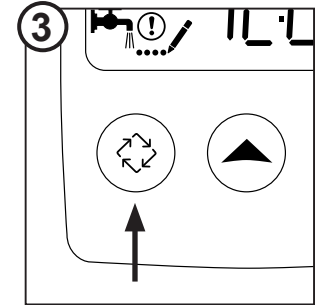
### Set Clock and Regenerate



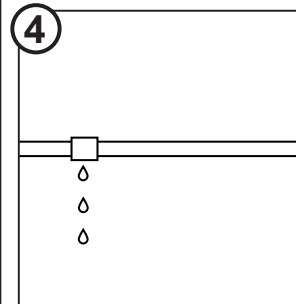
1 Set Clock Time-of Day.



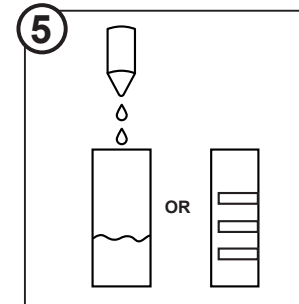
2 Turn on water and open bypass valve.



3 Start Regeneration.



4 Check for leaks.

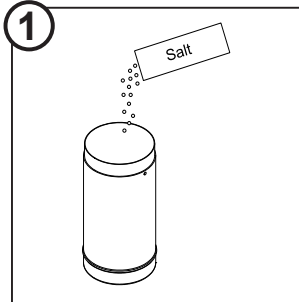


5 Check hardness reduction.

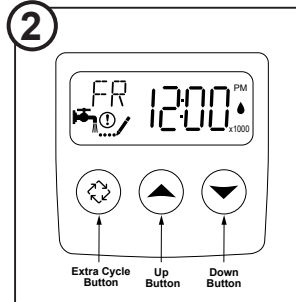
6 Check master programming values.

Abbreviation	Parameter	Factory Default		Description
		WSS-2245-R	WSS-1252-R	
DF	Display Format	GAL	GAL	Gallons
VT	Valve Type	DF1b	DF1b	Standard Down-Flow Single Backwash
CT	Control Type	Fd	Fd	Master (Flow) Delayed
NT	Number of Tanks	1	1	Single Tank System
C	Unit Capacity, #Gallons	27.8	55.7	Unit Capacity
H	Water Hardness, Grains	20	20	Test water and adjust if existing hardness is higher than 20 grains
RS	Reserve, Selection	SF	SF	Percentage Safety Factor
SP	Safety Factor %	15	15	Percentage of the system capacity to be used as a reserve

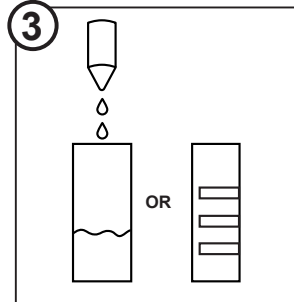
### Maintenance and Service



Check salt.



Check clock time.



Check hardness reduction.