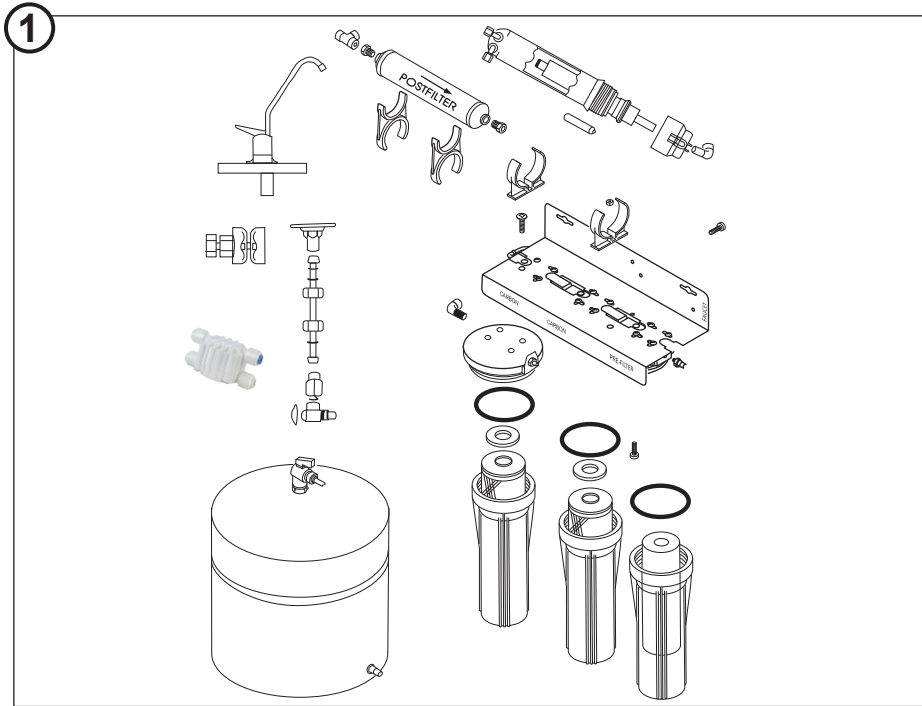


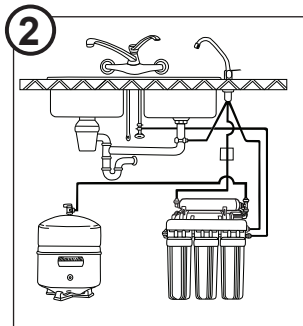
NOTE: Consult Owner's Manual for detailed steps.

ANTUNES www.antuneswater.com 180 Kehoe Blvd., Carol Stream, Illinois 60188

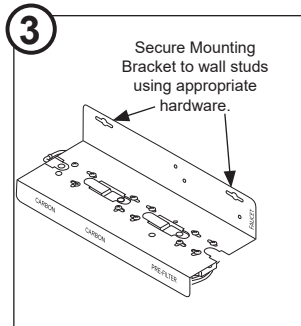
Unpack and Install System



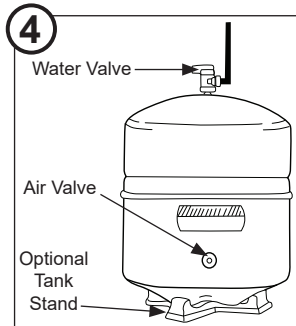
Unpack carton and identify parts.



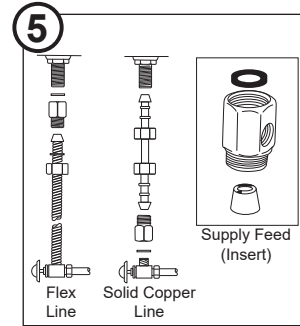
Identify location to install the system.



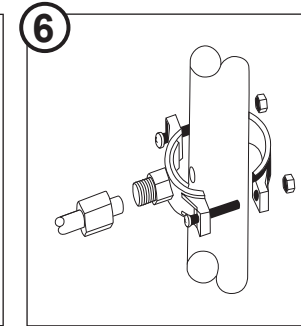
Mount the system.



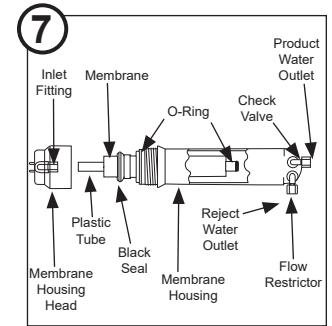
Attach tank valve and mount tank.



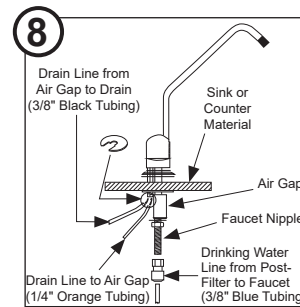
Connect inlet plumbing.



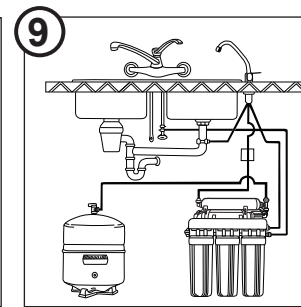
Install drain line to drain.



Install RO membrane.



Install Faucet.

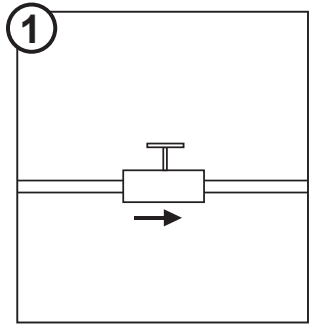


Make tubing connections.

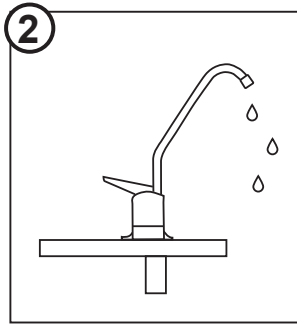
NOTE: Consult Owner's Manual for detailed steps.

ANTUNES www.antuneswater.com 180 Kehoe Blvd., Carol Stream, Illinois 60188

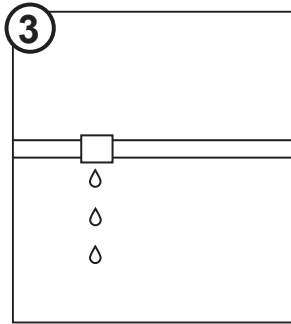
Turn on Water and Flush System



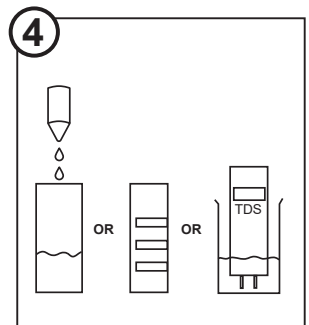
Turn on water.



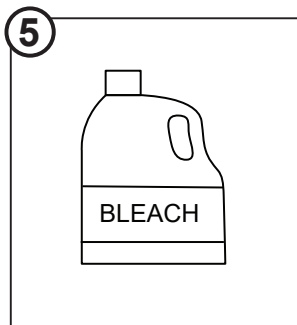
Rinse system.



Check for leaks.

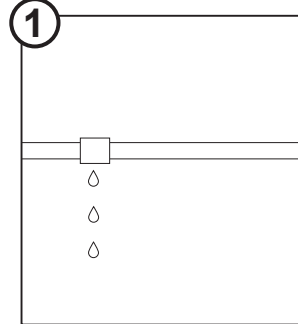


Check hardness/TDS reduction.

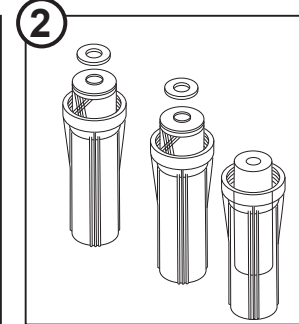


Sanitize system.

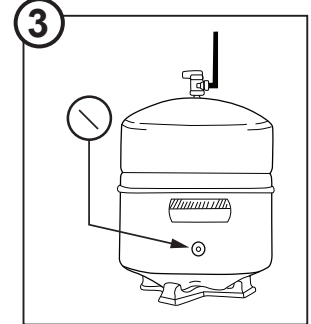
Maintenance and Service



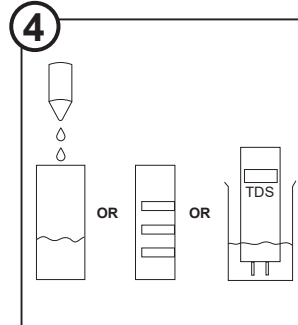
Check for leaks.



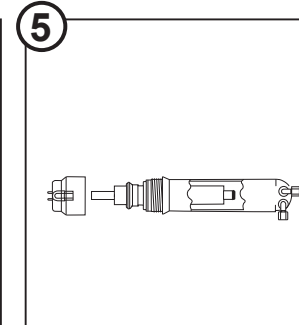
Replace filters.



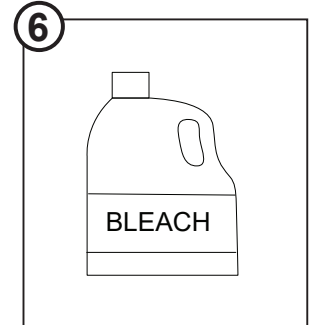
Check air tank charge.



Check hardness/TDS reduction.



Replace RO membrane.



Sanitize system.