

## Solar Powered Timers | TTS



# DISHES COOKED TO PERFECTION EVERY TIME

**Reliable cooking and holding timing powered by the sun. TimeTech ST timers ensure product quality and consistency with cost-effective solar power.**

Available in four and eight channel models, these reliable solar timers generate their own electricity. Easy to program and maintain, TimeTech ST timers control up to two stages of your cooking or holding process and provide both audible and visual signals when timing is complete. Program times are stored in memory for repeated use. The magnetic mounting panel adheres to most metal surfaces and allows for flexible use. For those areas where no magnetic surface is available, a mounting bracket is supplied.



### Solar Powered

No electrical outlet required!



### Quick and Easy to Install

No tools needed!

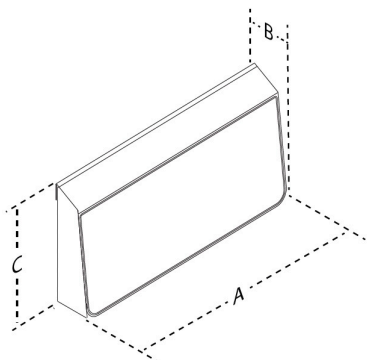


### Multiple Functionality

Two stages for cooking or holding functions.

TTS-4 and TTS-8 Solar Powered Timers

# Solar Powered Timers | TTS



## Features:

- Solar powered—no electrical outlet required.
- Quick and easy to install—no tools needed.
- Two stages for cooking or holding functions.
- No net increase in labor.
- Four or eight channel models.
- Easy to use.

Warranty: 90-day manufacturer's warranty.

Note: Timer includes one Universal Mounting Bracket.

### Dimensions

Model & Mfg. No.	Description	Number of Channels	Width (A)	Depth (B)	Height (C)	Shipping Weight
TTS-4 9900624	Solar powered and 3 AA Alkaline batteries included.	4	10" (254 mm)	2 1/8" (54 mm)	6 1/8" (156 mm)	4 lbs. (1.8 kg)
TTS-4 9900625	Solar powered and 3 AA Alkaline batteries included. Mounting bracket included.	4	10" (254 mm)	2 1/8" (54 mm)	6 1/8" (156 mm)	4 lbs. (1.8 kg)
TTS-8 9900628	Solar powered and 3 AA Alkaline batteries included.	8	10" (254 mm)	2 1/8" (54 mm)	6 1/8" (156 mm)	4 lbs. (1.8 kg)
TTS-8 9900629	Solar powered and 3 AA Alkaline batteries included. Mounting bracket included.	8	10" (254 mm)	2 1/8" (54 mm)	6 1/8" (156 mm)	4 lbs. (1.8 kg)



### UNIVERSAL MOUNTING BRACKET

The magnetic mounting panel adheres to most metal surfaces and allows for flexible mounting of the unit. For those areas where no magnetic surface is available, a magnetic mounting bracket is supplied.