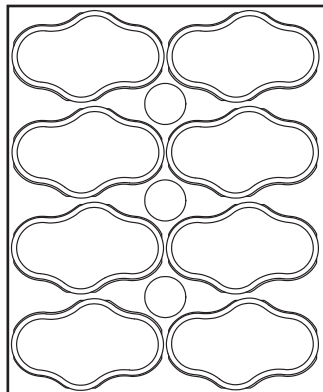


## Egg Station | ES



**ES-800**



**New Egg Rack Design**

Quickly serve fresh, made-to-order eggs with the ES-800 Egg Station from Antunes, which features a new, flexible ring design that cooks eggs in uneven shapes to provide a more natural or artisan look. Using a combination of heat from the grill surface and steam, the ES-800 prepares perfectly moist eggs in only a matter of minutes. No hassle, no guesswork.

The heated grill surface of the Egg Station cooks the eggs while the non-stick rings give the product its shape. Steam is created under the pivoting cover that is lowered over the rings. As water is poured into the trough on the cover, it drips down onto the platen, which produces steam to keep the eggs moist as they cook.

The small, compact footprint of the ES-800 makes it a great addition to any operation looking to quickly serve breakfast items to its customers.

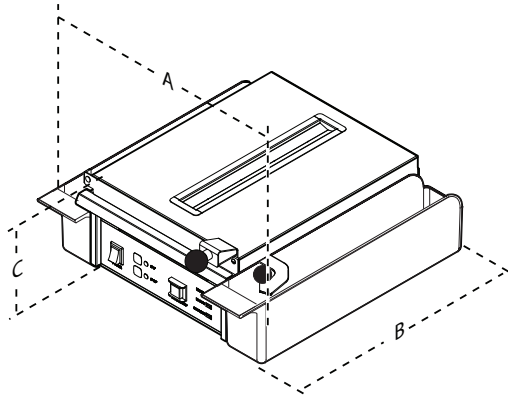
Cooking time for all Egg Station models is approximately 120 seconds for room temperature eggs and 150 seconds for refrigerated eggs.

### FEATURES

- Quickly cook eggs for breakfast items without taking up valuable grill space.
- Includes new flexible ring design to provide a more natural or artisan look to finished product.
- Small footprint to easily fit into any operation.
- Cooks a maximum of eight eggs at one time.
- Cooking time of 120 seconds for room temperature eggs and 150 seconds for refrigerated eggs.
- Audio and visual signal for operation.
- Easy to clean with included scrap tray.

# Egg Station | ES

## Dimensions


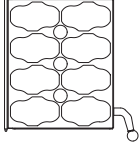
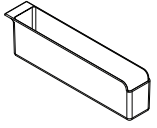


Model & Mfg. No.	Width (A)	Depth (B)	Height (C)
ES-800 9300594 9300597 9300599 9300652	20" (508 mm)	20 13/32" (518 mm)	8" (203 mm)

## Electrical Ratings and Plug Configuration

Model & Mfg. No.	Volts	Watts	Amps	Hertz	Plug Description
ES-800 9300594	230	2900	12.6	50/60	IEC-309 16 Amp., 220-250 Volt
ES-800 9300597 (UK only)	230	2900	12.6	50/60	BS-1363 16 Amp., 250 VAC
ES-800 9300599	208 / 220-240	2400 / 3150	11.5 / 10.9-13.1	50/60	L6-20P 20 Amp., 250 VAC
ES-800 9300652	230	2900	12.6	50/60	CEE 7/7 16 Amp., 250 VAC

## Accessory Kits

Mfg. No.	Description	Items
7001346	Rack and Egg Ring Kit	 Eight (8) Flexible Egg Rings  One (1) ES-800 Egg Rack
7001025	Scrap Tray Kit	 Two (2) Scrap Trays

P/N 1020445 04/18