

NexGen Steamer Utility Requirements (Mfg. 9100960)

⚠ CAUTION ⚠

To avoid possible personal injury and/or damage to the unit, all inspections, tests, and repair of electrical equipment should be performed by QUALIFIED SERVICE PERSONNEL. The unit MUST be completely shut down and unplugged before servicing.

IS-1000 Steamers with Water Softener

Electrical Requirements:

- Four (4) 208Vac 50A single phase NEMA 6-50R receptacles. Locate two behind each steamer stack arranged vertically or horizontally +44"
- One 120Vac 15A NEMA 5-15R GFCI duplex receptacle between the 50A receptacles



Figure 1. NEMA 6-50R Receptacle

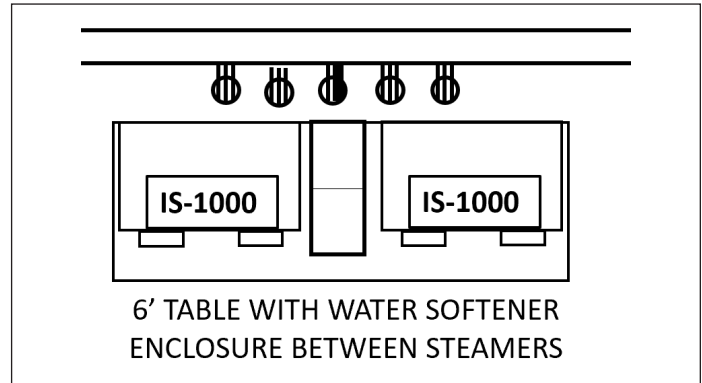


Figure 3. 2 Steamer Setup with Antunes Water Softener

Plumbing Requirements:

- VZN filtered water supply line to the water softener is to be 3/8" OD minimum 3ft of beverage hose to the softener. Water pressure at the water softener needs to be 40 – 60 psig. If 40-60 PSIG pressure cannot be reliably maintained, then it is recommend that booster pump be added before the VZN filter.
- The preferred layout is two (2) floor drains, one centered behind each steamer stack. The alternative is one drain centered between the stacks.



Figure 2. Output Water Valve with 3/8" OD Beverage Tubing

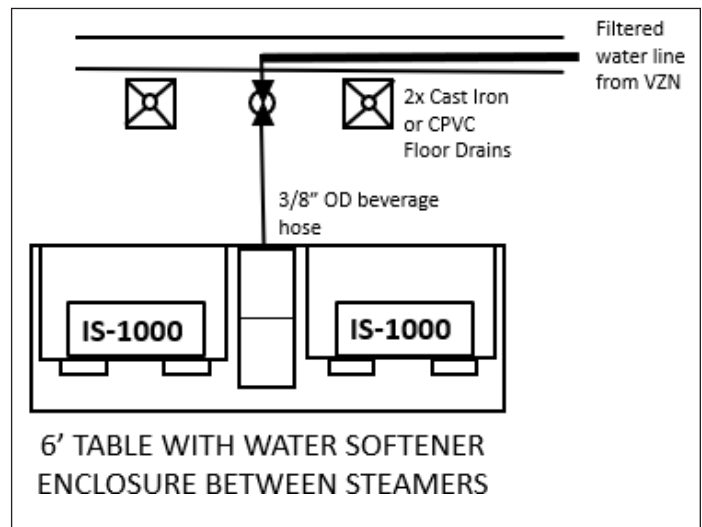


Figure 4. 2 Steamer Setup with Antunes Water Softener

NexGen Steamer Utility Requirements (Mfg. 9100960)

IS-1000 Steamers for Drive Thru

Electrical Requirements:

- Two (2) 208Vac 50A single phase NEMA 6-50R receptacles. Locate two behind each steamer stack arranged vertically or horizontally +44"



Figure 7. NEMA 6-50R Receptacle

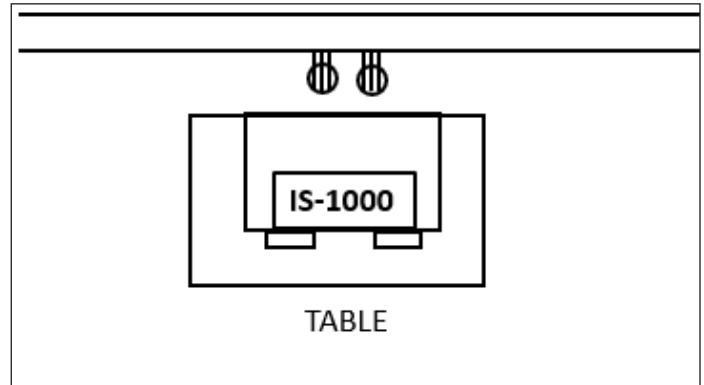


Figure 5. Electrical Layout for Drive Thru (two steamers)

Plumbing Requirements:

- One soft water outlet from water softener to steamers with shut off valve. Tee-connection with John Guest push-to-connect fittings (3/8" ID) on each end of the Tee
- One cast iron or CPVC floor drain, centered behind the steamer stack.



Figure 8. Soft Water Outlet from Water Softener to Steamers with Shut Off Valve.

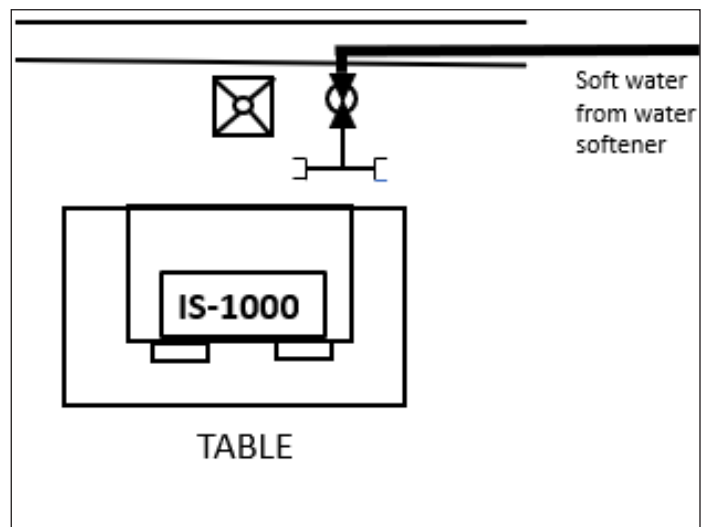
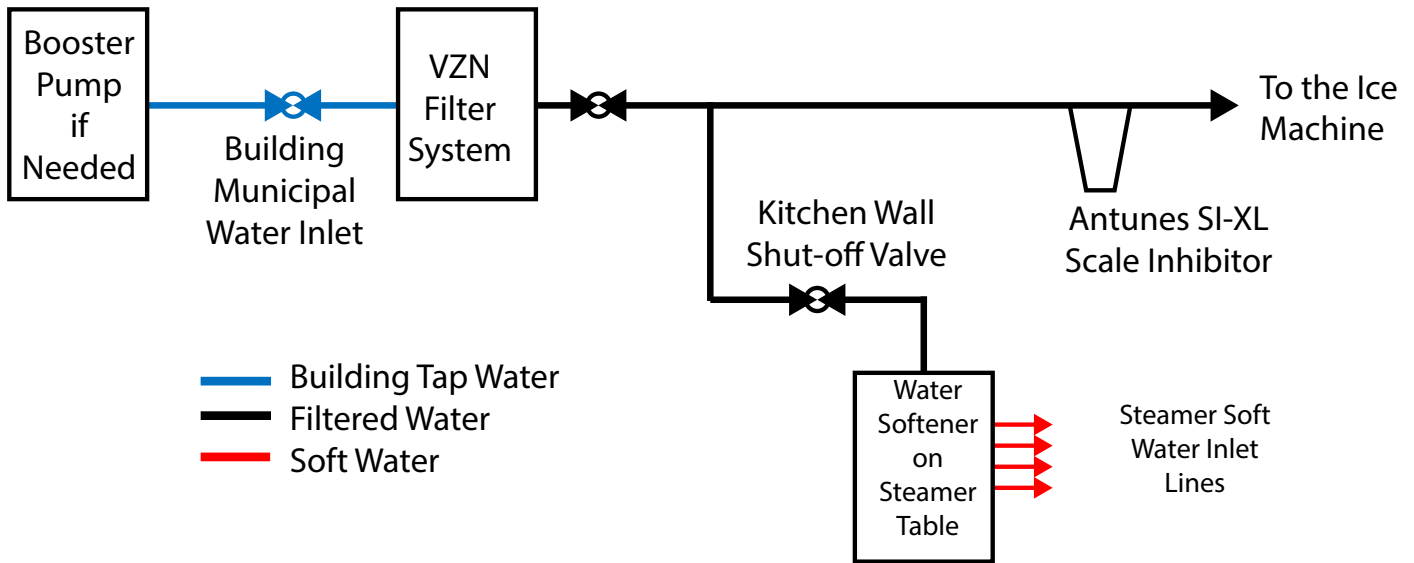


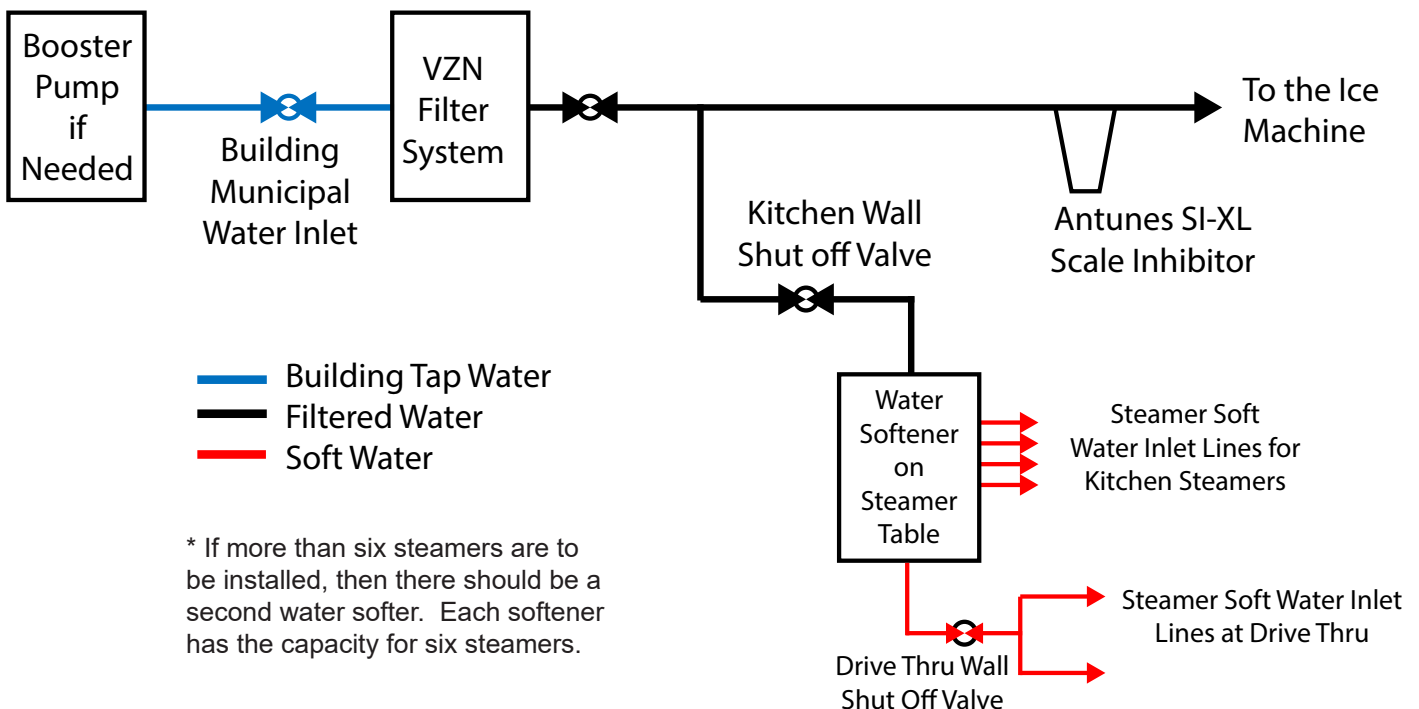
Figure 6. Plumbing Layout for Drive Thru (two steamers)

NexGen Steamer Utility Requirements (Mfg. 9100960)

Plumbing Schematic for a Four-Steamer Installation



Plumbing Schematic for a Six-Steamer Installation (with Drive Thru)



NexGen Steamer Utility Requirements (Mfg. 9100960)

Backroom VZN Water Filtration System

Electrical Requirements:

- One 120Vac 15A NEMA 5-15R GFCI duplex outlet +44"

Plumbing Layout Requirements:

- Water to the VZN must be at least 50 psig and less than 100 psig. Incoming municipal water of less than 50 psig requires a booster pump to be installed (not provided).
- Plumbing is required for one tap water and one filtered water lines. Both water lines are to have shut off valves on the pipe at the wall:
 - 1) Supply line of tap water to the VZN
 - 2) VZN filtered water output line to the water softener.
- A floor drain is required for the backflush

VZN Plumbing

NOTE: The system must be connected to the **COLD** water line. **DO NOT** connect the system to the hot water line.

The VZN system uses the following connections:

System Inlet	3/4" FNPT
System Outlet (Product Water)	3/4" FNPT
Drain	3/4" FNPT
Rinse Outlet	3/4" (Garden Hose or 3/4" FNPT)

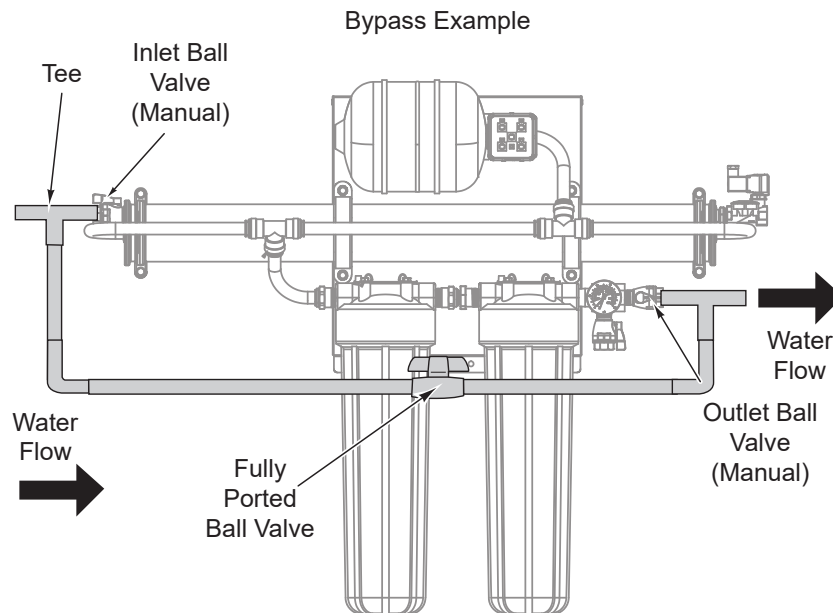


Figure 9. VZN Unit with Bypass Example

Building municipal water line put into VZN unit.

