

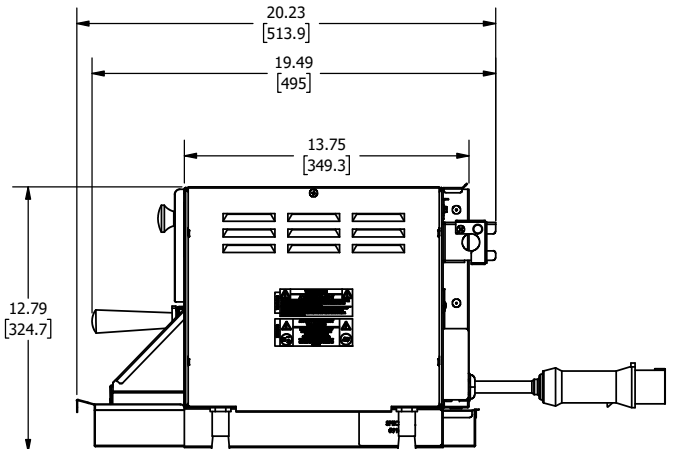
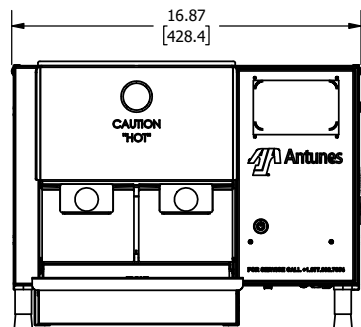
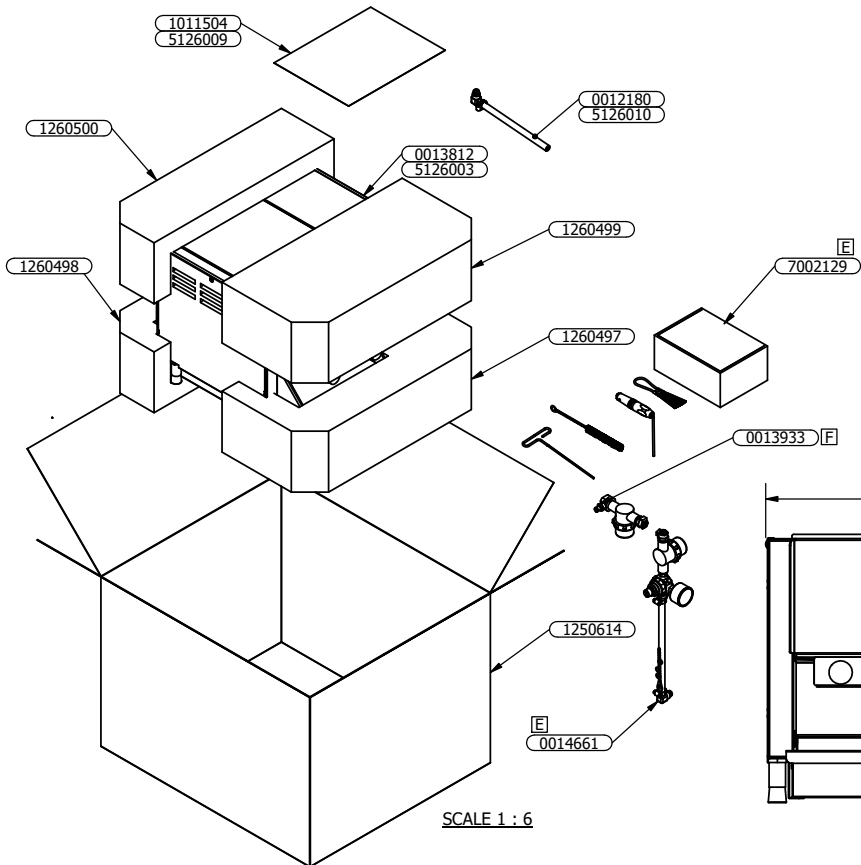
8 7 6 5 4 3 2 1

D

C

B

A



ITEM	PART NO	DESCRIPTION	QTY.	
1	0012180	INLET HOSE ASSEMBLY	1	
2	0013812	MAIN COMPLETE ASSEMBLY	1	
3	1011504	RS OWNER'S MANUAL	1	
4	1200918	RS TEST PROCEDURE	1	
5	1250614	CARTON 20.5" X 23.75" X 16.75"	1	
6	1260497	RS FOAM INSERT BOTTOM FRONT	1	
7	1260498	RS FOAM INSERT BOTTOM REAR	1	
8	1260499	RS FOAM INSERT TOP FRONT	1	
9	1260500	POLYBAG (9" X 12") 2MIL	1	
10	5126003	POLYBAG-CLEAR (33 GAL)	1	
11	5126009	POLYBAG (9" X 12") 2MIL	1	
12	5126010	POLYBAG, 14 X 16	1	
E	13	7002129	KIT, CLEANING TOOL	1
E	14	0014661	ASSEMBLY, WATER REGULATOR	1
D	15	1011610	SEASONING ADVISORY, INSTRUCTIONAL SHEET	1
F	16	0013933	ASSEMBLY, FLOW REGULATOR	1

D

C

B

A

NOTES:

1. PLACE OWNER'S MANUAL (PART NO. (1011504)) INSIDE POLYBAG (5126009)
2. PLACE PART (0012180) IN POLYBAG (0012180)
3. PLACE RAPID STEAMER UNIT ((0013812)), INSIDE POLYBAG (5126003) BEFORE FITTING WITH FOAM INSERTS.
4. TAPE SEASONING ADVISORY SHEET, P/N 1011610 TO TOP OF UNIT BEFORE SEALING CARTON PRIOR TO SHIPPING.

D

F	2/16/2023	PC101627	ADDED 0013933	CM
E	7/22/2021	PC100882	ADDED 7002129, 0014661	CM
D	10/7/2020	PC-15653	ADDED 1011610 & NOTE#4	CM
C	12/2/19	PC-15717	C1 PICTORIAL UPDATE OF 0013812	GMM
B	6/11/19	PC-15805	B1 REMOVED WATER SUPPLY PRESSURE INSTR SHEET 1010893	GMM
A	6/25/18	PC-15032	INITIAL RELEASE	MNN
REV	DATE	PCO NO.	DESCRIPTION	BY

THE INFORMATION AND DESIGNS CONTAINED IN THIS DRAWING ARE CONFIDENTIAL AND THE PROPRIETARY PROPERTY OF A.J. ANTUNES & CO. NEITHER THIS DESIGN NOR ANY INFORMATION CONTAINED HEREIN MAY BE REPRODUCED OR DISCLOSED TO OTHERS WITHOUT THE EXPRESS WRITTEN CONSENT OF A.J. ANTUNES & CO.

UNLESS OTHERWISE SPECIFIED:
 INTERPRET DIMENSIONS AND TOLERANCES PER ASME Y14.5-2009
 ALL DIMENSIONS: INCH [mm]
 TOLERANCES:
 FRACTIONS: ±1/32" [0.8mm]
 DECIMAL: .xx ±0.1" [2.5mm]
 .xxx ±0.005" [0.125mm]
 ANGULAR: ±1°



DO NOT SCALE DRAWING

DRAWN BY: MNN
 DATE: 8/23/2017
 APVD BY:
 DATE:



PART DESCRIPTION:
 RS-1000 200-240 50/60HZ; INTL. UNIT/PLUG IEC-309

MATERIAL SPECIFICATION:

SIZE: SCALE: B 1:10

PART NUMBER: 9100651

SHEET 1 OF 1
 REV: F

8 7 6 5 4 3 2 1