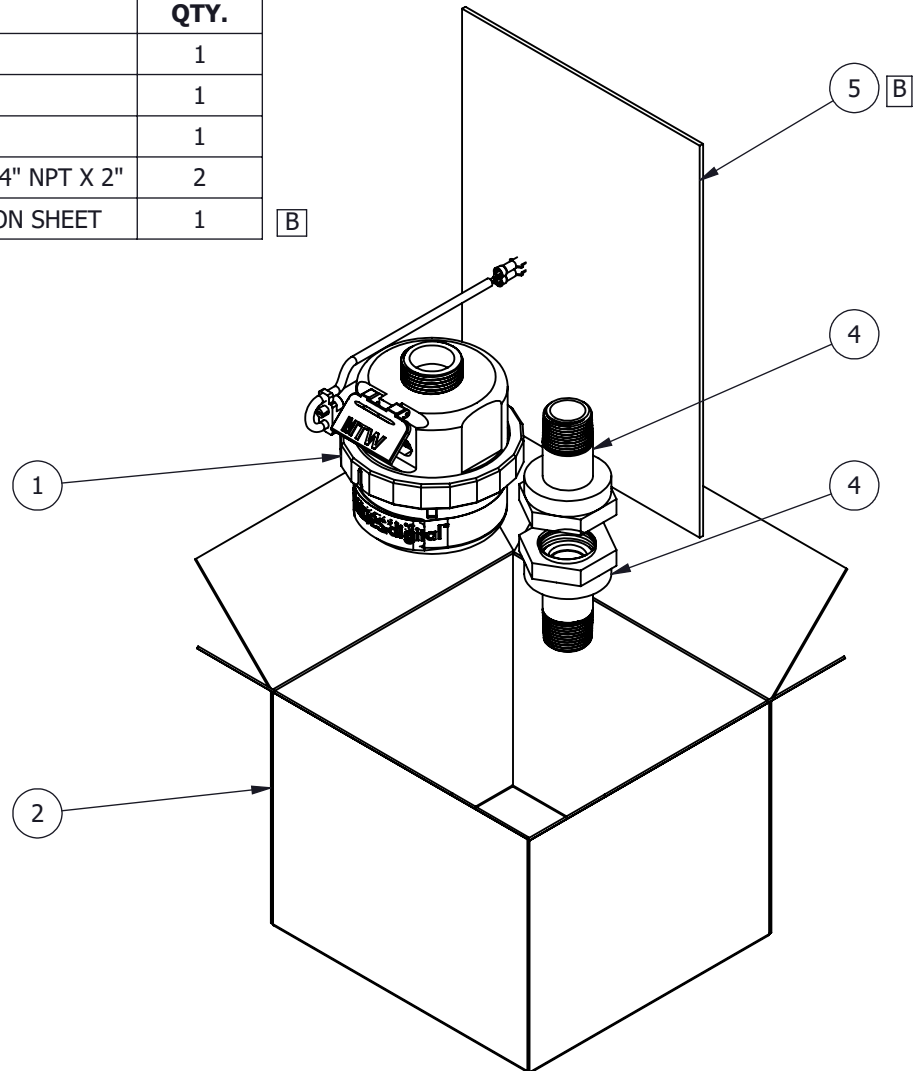




ITEM NO.	PART NUMBER	DESCRIPTION	QTY.
1	0014925	FLOW TOTALIZER ASSEMBLY	1
2	1250228	CARTON BOX, 7-1/8 x 7-5/8 x 6	1
3	1270123	BUBBLE WRAP	1
4	2190305	COUPLING, FLOW TOTALIZER POLYMER, 3/4" NPT X 2"	2
5	1011722	FLOW TOTALIZER QK INSTL, INSTRUCTION SHEET	1



NOTES:

1. WRAP ITEM 1 AND BOTH ITEM 4'S IN ITEM 3 PRIOR TO PLACING INTO ITEM 2.

UNLESS OTHERWISE SPECIFIED: INTERPRET DIMENSIONS AND TOLERANCES PER ASME Y14.5-2009 ALL DIMENSIONS: INCH [mm] TOLERANCES: FRACTIONS ±1/32" [.8mm] DECIMAL .xx ±.01" [.25mm] .xxx ±.005" [.125mm] ANGULAR: ±1°		DRAWN BY: BK	APVD BY:	
NO BURRS ALLOWED BREAK ALL SHARP CORNERS		DATE: 6/23/2021	DATE:	
 THIRD ANGLE PROJECTION		PART DESCRIPTION: FLOW TOTALIZER 3/4" NO IOT CONNECTION		SHEET 1 OF 1
DO NOT SCALE DRAWING		MATERIAL SPECIFICATION:		
SIZE: A	SCALE: 1:4	PART NUMBER: 9710150		
THE INFORMATION AND DESIGNS CONTAINED IN THIS DRAWING ARE CONFIDENTIAL AND THE PROPRIETARY PROPERTY OF A.J. ANTUNES & CO. NEITHER THIS DESIGN NOR ANY INFORMATION CONTAINED HEREIN MAY BE REPRODUCED OR DISCLOSED TO OTHERS WITHOUT THE EXPRESS WRITTEN CONSENT OF A.J. ANTUNES & CO.				REV: B