

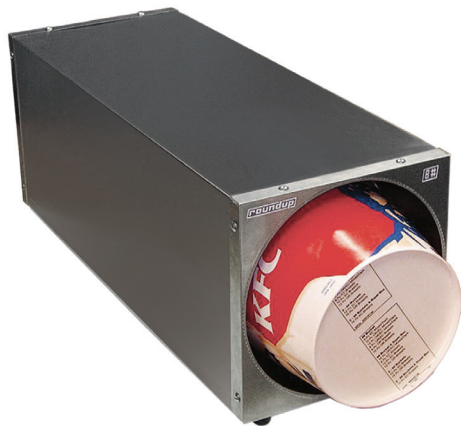
Bucket Dispenser & Side Dish Dispenser | BD & SDD



ENHANCED OPERATIONAL EFFICIENCY

The Bucket Dispenser and Side Dish Dispenser enhances operational efficiency by keeping buckets organized and readily accessible. Minimize downtime and improve workflow by having a clean and organized workspace at all times.

Protect margins and the health of customers with a lowcost and effective system to dispense buckets, side cups, and lids. Manufactured out of high-quality stainless steel, these units are designed to cut down on waste and help organize the work space more efficiently, which allows the crew to perform their duties more effectively.



BD-824 Bucket Dispenser



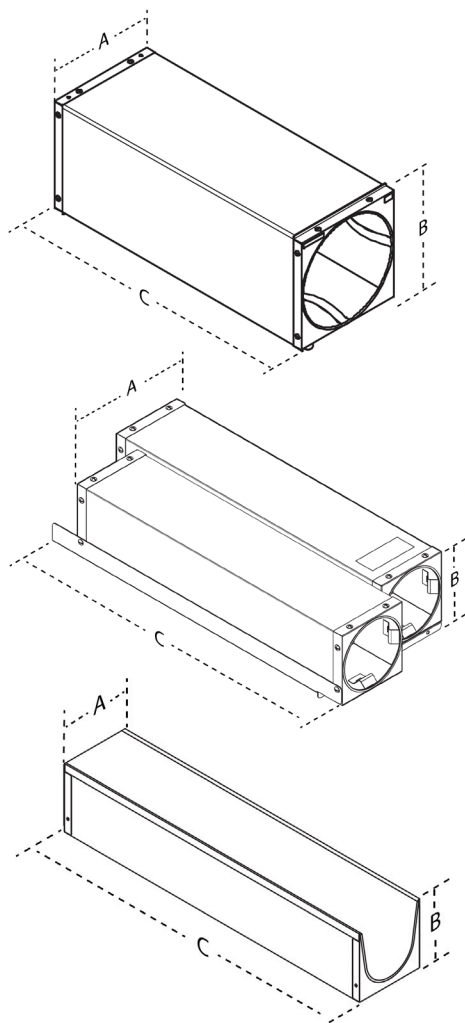
Space Optimization

Bucket dispensers maximize available space without compromising functionality.

- **BD-620** dispenses the standard 6# bucket.
- **BD-820** dispenses the standard 8# bucket.
- **SDD-222** stores the two sizes of side cups for your menu offerings.
- **LD-220** lid holder is designed to dispense lids for side cups.



Bucket Dispenser & Side Dish Dispenser | BD & SDD



Features:

Sturdy stainless steel construction

- Easy to load
- Small footprint saves valuable counter space
- Spring-loaded mechanism ensures containers are always accessible.

Bucket Dispenser

Dimensions

Model & Mfg. No.	Unit No.	Dim. A	Dim. B	Dim. C	Width (A)	Depth (B)	Height (C)	Weight
BD-620 9900340	6#	9" (229 mm)	9 1/2" (242 mm)	20" (508 mm)	24" (610 mm)	12" (305 mm)	12" (305 mm)	11 lbs. (5 kg)
BD-820 9900344	8#	9" (229 mm)	9 1/2" (242 mm)	20" (508 mm)	24" (610 mm)	12" (305 mm)	12" (305 mm)	11 lbs. (5 kg)



BD-620

Side Dish Dispenser

Dimensions

Model & Mfg. No.	Dim. A	Dim. B	Dim. C	Width (A)	Depth (B)	Height (C)	Weight
SDD-222 9900350	10" 3/8" (229 mm)	5 1/2" (242 mm)	24" (508 mm)	28" (711 mm)	13" (330 mm)	13" (330 mm)	10 lbs. (4.5 kg)
LD-220 9900352	4 1/2" (114 mm)	4 7/16" (113 mm)	22" (559 mm)	9" (229 mm)	25" (635 mm)	6" (152 mm)	4 lbs. (1.8 kg)



SDD-222